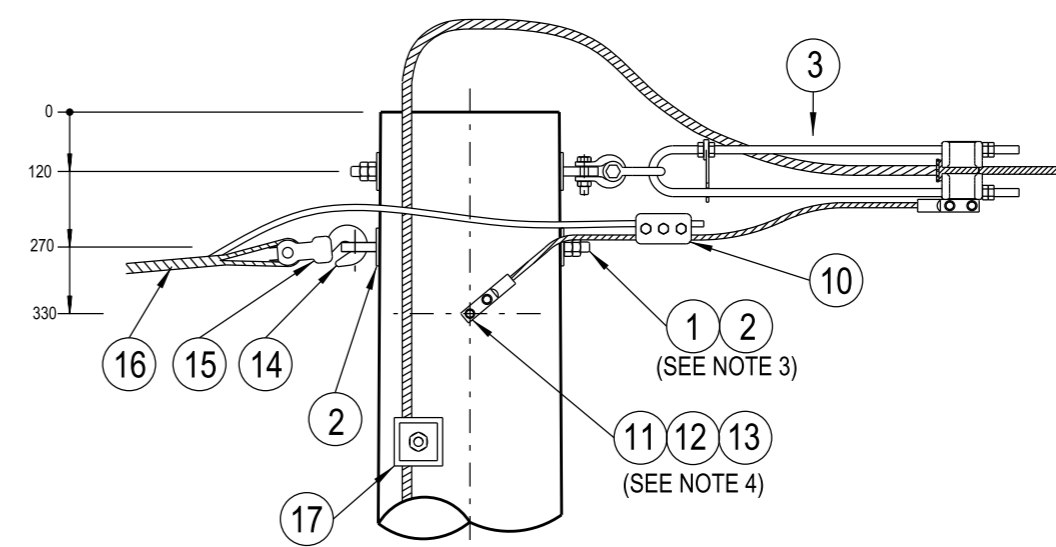
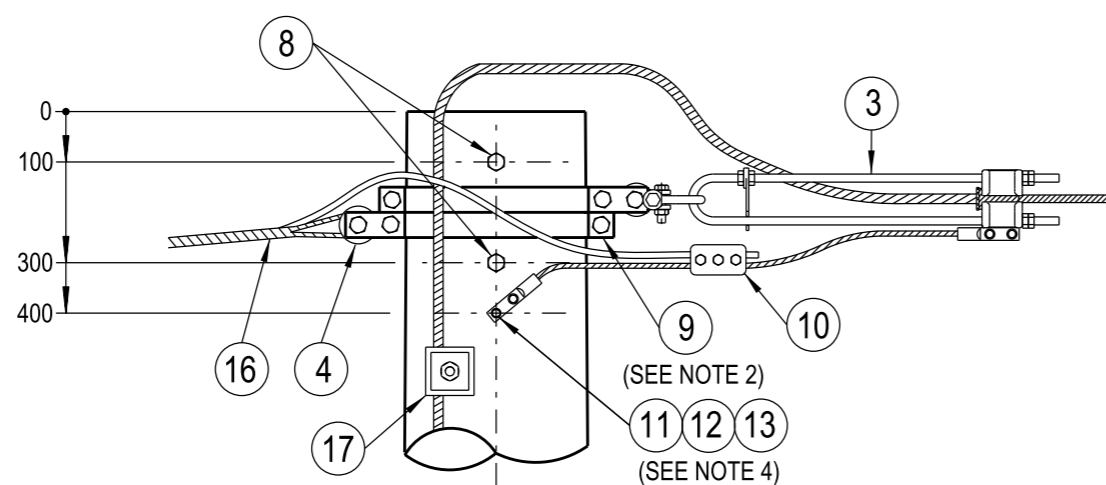


ARRANGEMENT 1 (TIMBER POLES)



ARRANGEMENT 3 (CONCRETE/STEEL POLES)  
WITH EYE BOLTS

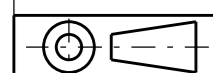


ARRANGEMENT 2 (CONCRETE/STEEL POLES)  
WITH POLE BANDS

**NOTES :**

1. BI-METALLIC PARALLEL GROOVE CLAMP TO BE INSTALLED WITH COPPER CONDUCTOR AND ALUMINIUM CONDUCTOR.
2. POLE BANDS ON THROUGH TERMINATION ARE TO BE POSITIONED SO AS NOT TO FOUL THE 75mm THIMBLES.
3. THE LOAD AND DEVIATION ALLOWABLE ON THE EYEBOLTS IS TO BE DETERMINED FROM DRG : 520324.
4. LUG TO BE IN DIRECT CONTACT WITH FERRULE ON CONCRETE POLE. NO SPACING WASHERS PERMITTED.
5. FIBERLIGN PARTS ARE AVAILABLE FROM PREFORMED LINE PRODUCTS (AUSTRALIA) PTY LTD.
6. PARTS TO BE ORDERED TO SUIT SIZE AND LAY OF OPGW.

17	CLAMP - DOWNLEAD CUSHION, FIBERLIGN			A/R	A/R	A/R
16	DEAD END - PREFORMED (TO SUIT CONDUCTOR)	514098		1		1
15	SOCKET THIMBLE - REF. 70/STH A.S.1154-2		H18166	1		1
14	BALL HOOK - REF. 70/BH A.S. 1154-2		H18530	1		1
13	WASHER - FLAT, M12, STAINLESS STEEL	518081	49429		1	1
12	WASHER - SPRING, M12, STAINLESS STEEL	518082	143859		1	1
11	SCREW - SET, M12x25mm, STAINLESS STEEL	515467	44693		1	1
10	CLAMP - PARALLEL GROOVE, 3 BOLT (TO SUIT CONDUCTOR)	514099		1	1	1
9	BAND - POLE, 3 BOLT (TO SUIT POLE SIZE)	507741			2	
8	BOLT & NUT - M20, GALVANISED (LENGTH TO SUIT POLE)	515466			2	
7	STAPLE - 3.15 x 25mm, GALVANISED		175601	A/R		
6	CONDUCTOR - 19/2.14 (70mm <sup>2</sup> ) COPPER, HARD DRAWN, PVC COVERED		60111	A/R		
5	CLAMP - PARALLEL GROOVE, BI-METALLIC (SEE NOTE 1)		H88013	1		
4	THIMBLE - ROUND, Ø75mm, M.C. IRON (SEE NOTE 2)	508741	H10443		1	
3	DEADEND - TERMINATION ASSEMBLY	566963		1	1	1
2	WASHER - SQUARE, 75x75x6mm, GALVANISED (Ø22mm HOLE)	518081	H39231	4		4
1	EYEBOLT - M20, GALVANISED (LENGTH TO SUIT POLE) (SEE NOTE 3)	513653		2		2



DIMENSIONS ARE IN MILLIMETRES UNLESS STATED OTHERWISE.

DO NOT SCALE

**CONSTRUCTION ISSUE**

CAD DRAWING  
DO NOT MANUALLY AMEND  
AMENDMENTS

OPGW CONDUCTOR SPLICE BOX & COILED CABLE BRACKET MTG	565743
<b>ASSOCIATED DRAWINGS</b>	



145 NEWCASTLE ROAD  
WALLSEND NSW 2287  
PHONE: 02 4951 9388  
FAX: 02 4951 9389

DESIGNED	GLENN FORD
DRAWN	PATRICIA RIOS
CHECKED	MATTHEW KIEJDA
AUTHORISED	GLENN FORD
DATE	05/04/13
SCALE	1:15
MAP REF.	-
LGA	-
PROJECT No.	STD
PROJTRAK No.	--

**STANDARD CONSTRUCTION  
OPGW CONDUCTOR TO OHEW  
TERMINATION  
MOUNTING ARRANGEMENT**

SIZE	DRAWING No	SHEETS	AMD
<b>A2</b>	230083	01 of 01	0