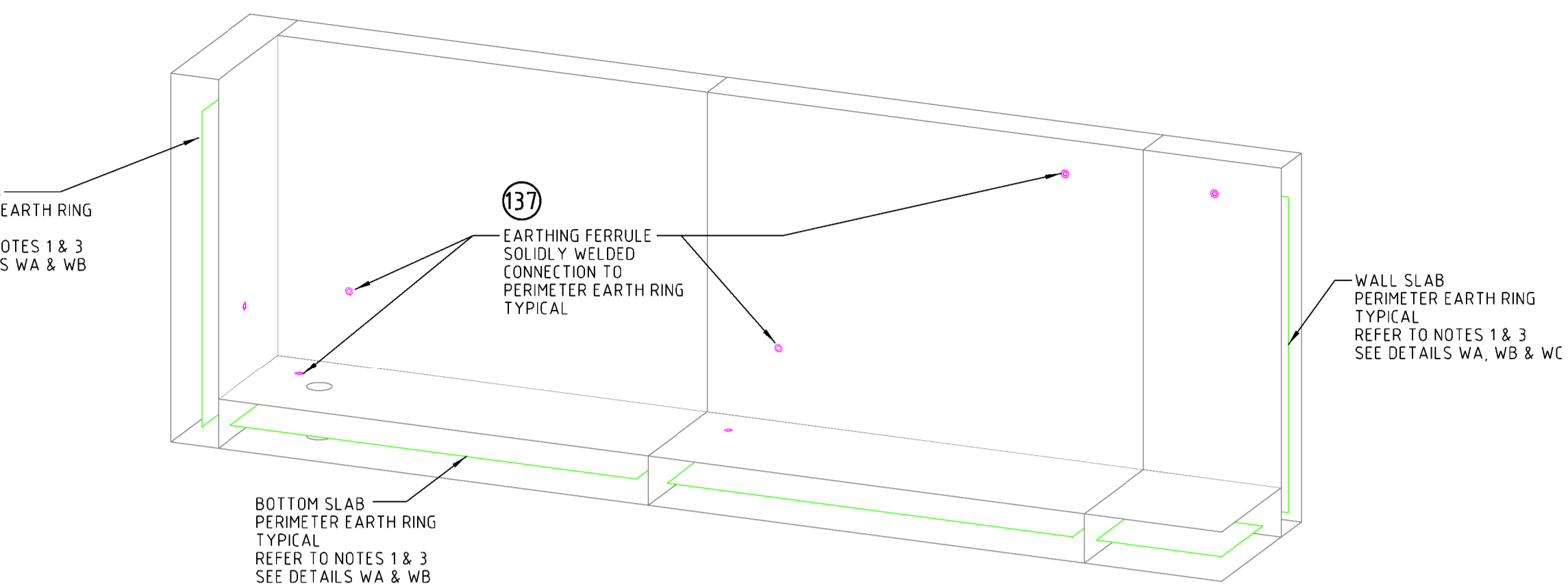
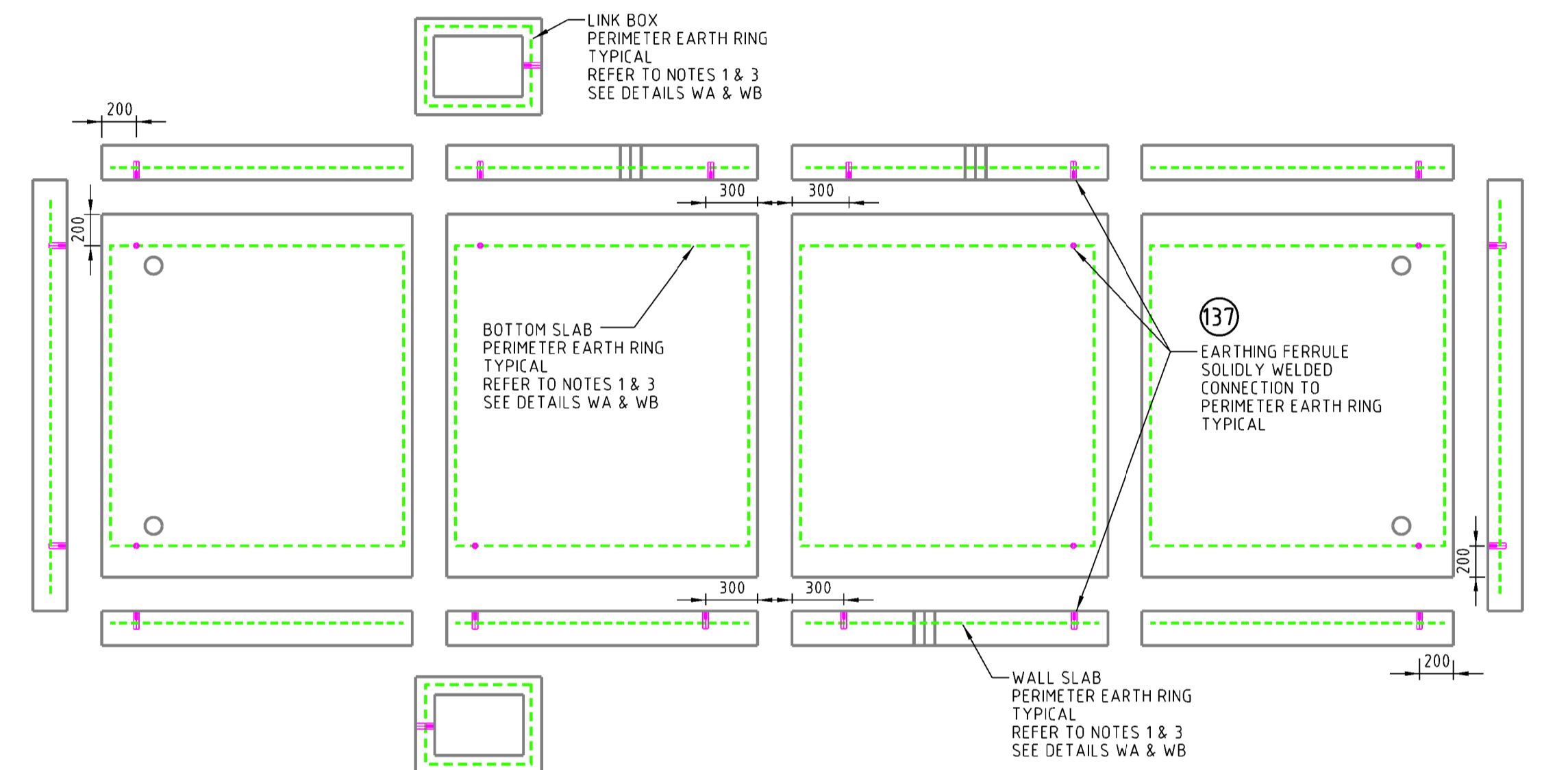


132kV JOINT BAY - EARTHING DETAIL - OVERVIEW



WALL AND FLOOR - EMBEDDED EARTHING SECTIONS

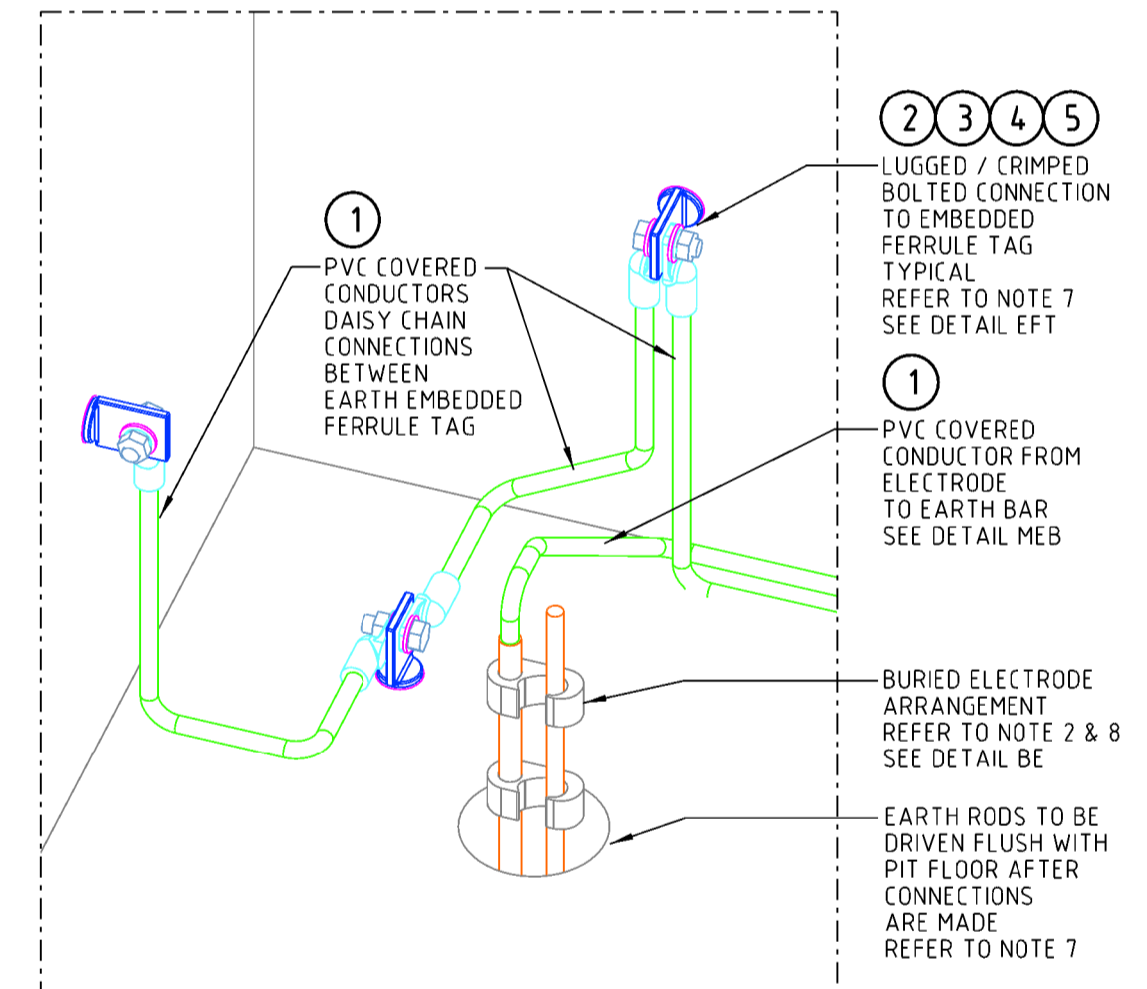


JOINT BAY - SLAB PLANS AND TYPICAL EMBEDDED EARTHING LAYOUT

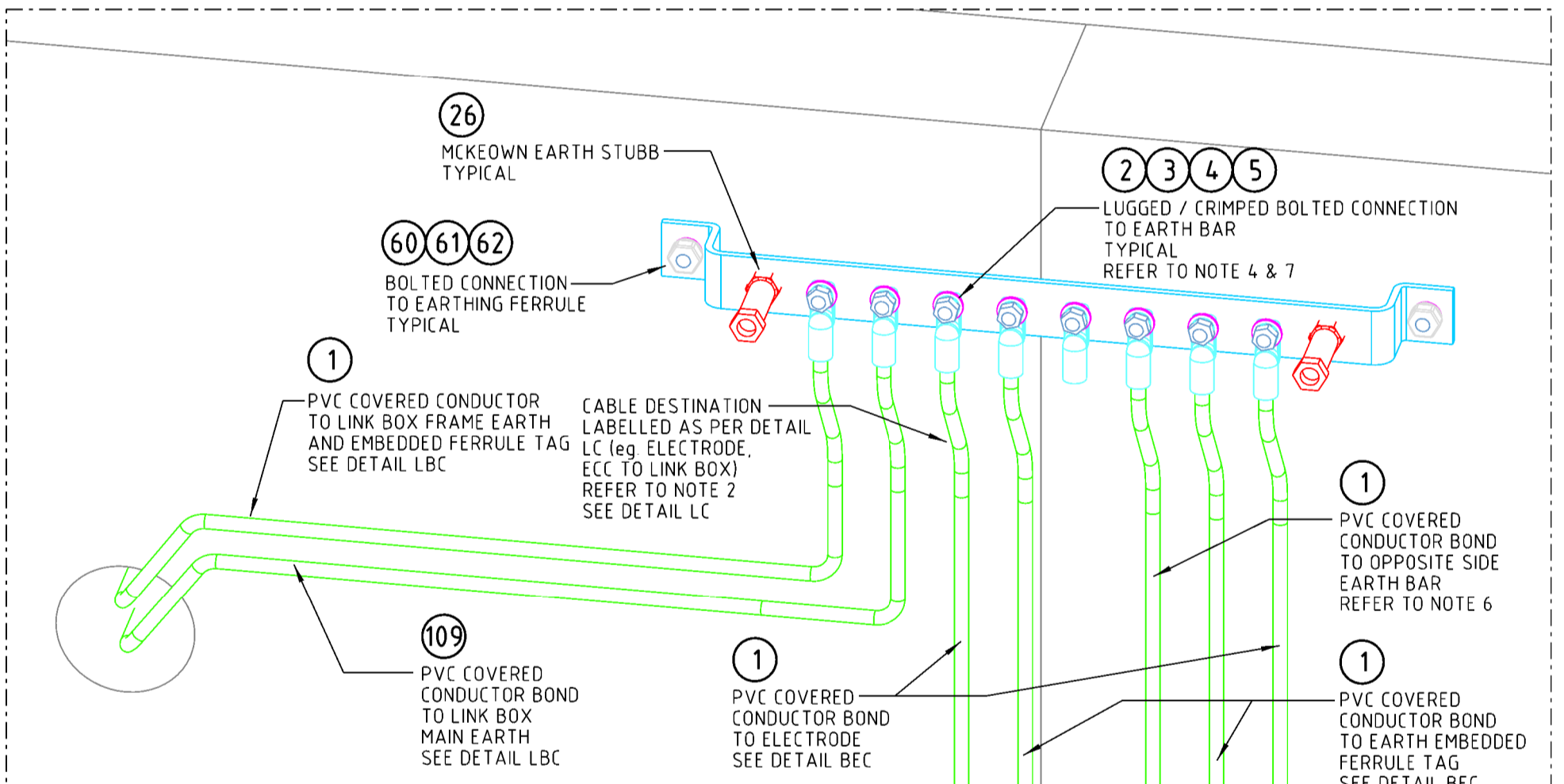
NOTES:

1. THE TOP LAYER OF CONCRETE REINFORCEMENT BARS ARE TO BE WELDED TO FORM A CONTINUOUS ELECTRICAL PATH KNOWN AS PERIMETER EARTH RING ADD EXTRA BAR TO FACILITATE THE WELDING OF PERIMETER EARTH RINGS WHERE NECESSARY.
2. FOR ALL GENERAL EARTHING DETAILS REFER TO DRAWING 236804
3. FOR ALL GENERAL EMBEDDED EARTHING DETAILS REFER TO DRAWING 236805
4. FOR ALL EARTH BAR MOUNTING AND CONNECTION DETAILS REFER TO DRAWING 236806
5. LOCATE EARTH FERRULE IN FLOOR AND WALL SLABS AT NOMINAL LOCATIONS
6. EQUIPOTENTIAL BOND BETWEEN THE TWO EARTH BARS
7. PRIOR TO MAKING CONNECTIONS CLEAN SURFACES AND APPLY CONDUCTIVE GREASE BOLT ALL CONNECTIONS AND JOINTS WITH STAINLESS STEEL NUTS, BOLTS, FLAT WASHERS AND BELLEVILLE WASHERS TEST TO CONFIRM CONTINUITY.
8. REFER TO SITE SPECIFIC EARTHING DESIGN FOR ELECTRODE DEPTH

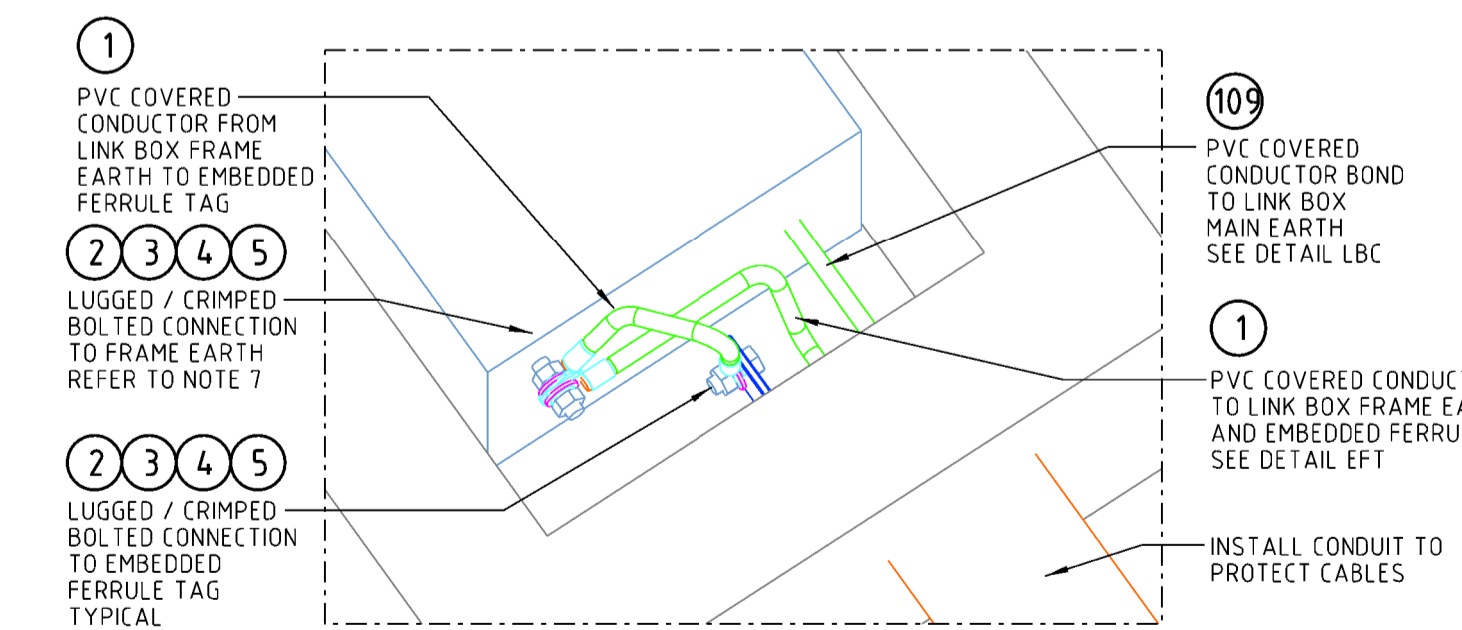
CONSTRUCTION ISSUE



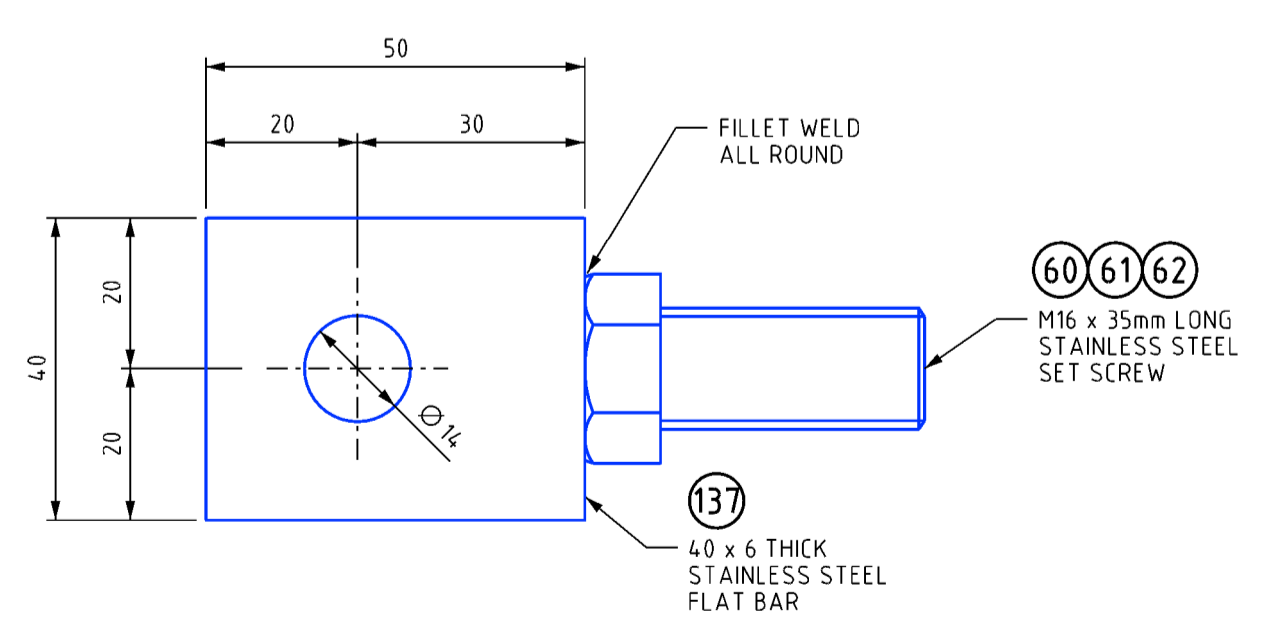
CONNECTION TO ELECTRODE DETAIL (BEC)



EARTH BAR CONNECTIONS DETAIL (MEB)



LINK BOX CONNECTIONS DETAIL (LBC)



EMBEDDED FERRULE TAG DETAIL (EFT)

ITEM NO.	ITEM	DESCRIPTION	STOCK CODE	PRODUCT CODE	QTY.
137	EMBEDDED FERRULE TAG	STAINLESS STEEL GRADE TAG FOR EMBEDDED FERRULE FLAT BAR 40 x 6mm STAINLESS STEEL GRADE 316			AS REQD
109	CONDUCTOR	CONDUCTOR - 300mm ² STRANDED COPPER - BLACK PVC COVERED			
108	LUG COMPRESSION	DUAL HOLE / DOUBLE CRIMP LUG 300mm ² M16 TINNED COPPER HEX COMPRESSION			
62	FASTENERS WASHER	FASTENERS - WASHER - M16 BELLEVILLE STAINLESS STEEL GRADE 304	H108415	JBS 02750352	1 PER BOLT
61	FASTENERS WASHER	FASTENERS - WASHER - M16 FLAT STAINLESS STEEL GRADE 316		JBS 03756306	2 PER BOLT
60	FASTENERS BOLT & NUT	FASTENERS - BOLT & NUT - M16 HEX STAINLESS STEEL GRADE 316 - LENGTH TO SUIT			AS REQD
26	EARTH STUBB	EARTH STUBB - MC KEOWN REF DRAWING A3-520088	H108415		AS REQD
5	FASTENERS WASHER	FASTENERS - WASHER - M12 BELLEVILLE STAINLESS STEEL GRADE 304			1 PER BOLT
4	FASTENERS WASHER	FASTENERS - WASHER - M12 FLAT STAINLESS STEEL GRADE 316	49429	JBS 02750255	2 PER BOLT
3	FASTENERS BOLT & NUT	FASTENERS - BOLT & NUT - M12 HEX STAINLESS STEEL GRADE 316 LENGTH TO SUIT		JBS 03756209	AS REQD
2	LUG COMPRESSION	LUG - 070mm ² M12 TINNED COPPER HEX COMPRESSION	74831	UTLUX H1423/25	AS REQD
1	CONDUCTOR	CONDUCTOR - 070mm ² STRANDED COPPER - BLACK PVC COVERED	60111		AS REQD

MATERIALS LIST

SCALE	DESIGNED	DRAWN	CHECKED	APPROVED	DATE	PROJECT NUMBER	PROJTRAK NUMBER
	NTS	MICHAEL ACTON	ANDREW MACDONALD	KERRI MITCHISON	BEN STADDON	22/09/15	SJ-05931
ELECTRICAL EARTHING - EARTH BAR MOUNTING AND CONNECTION DETAIL							236806
ELECTRICAL EARTHING - GENERAL EMBEDDED EARTHING DETAILS							236805
ELECTRICAL EARTHING - GENERAL EARTHING DETAILS							236804
ASSOCIATED DRAWINGS							

Ausgrid
145 NEWCASTLE RD WALLSEND, NSW 2287

SCALE: NTS
DESIGNED: MICHAEL ACTON
DRAWN: ANDREW MACDONALD
CHECKED: KERRI MITCHISON
APPROVED: BEN STADDON
DATE: 22/09/15
PROJECT NUMBER: SJ-05931
PROJTRAK NUMBER: [blank]

EARTHING & INSULATION COORDINATION
132kV PRECAST JOINT BAY
CIVIL AND ELECTRICAL WORKS
EMBEDDED AND ELECTRICAL EARTHING LAYOUT AND DETAILS

SIZE: A1
DRAWING No: 212446
SHEET: 02
AMD: 0