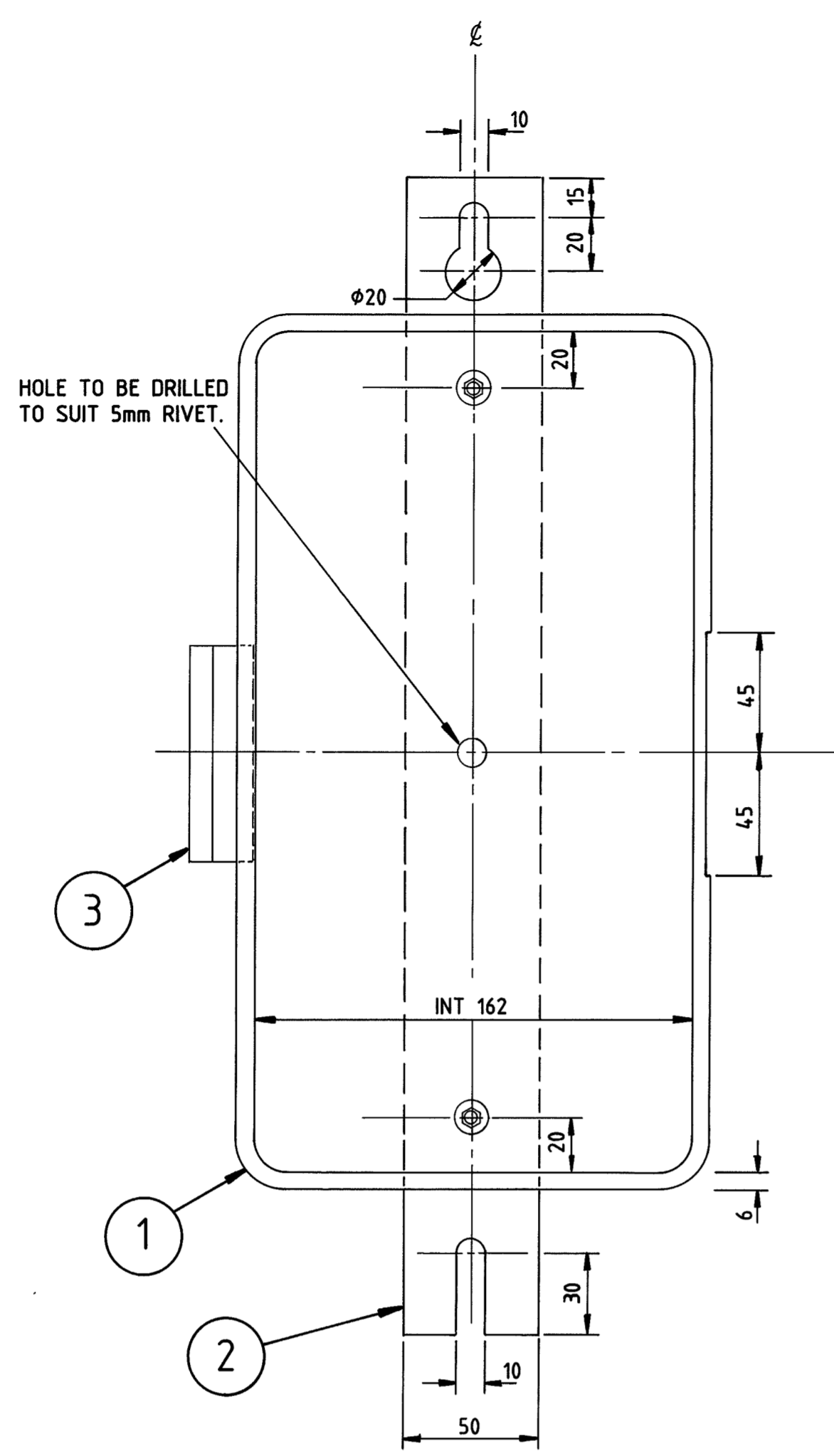
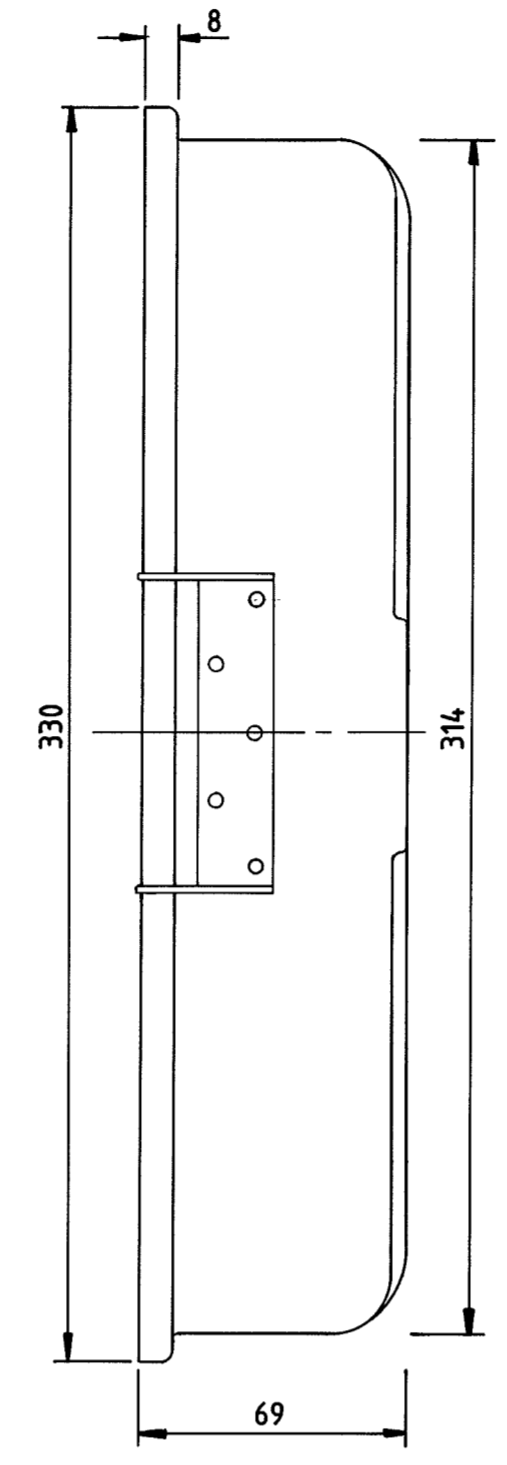


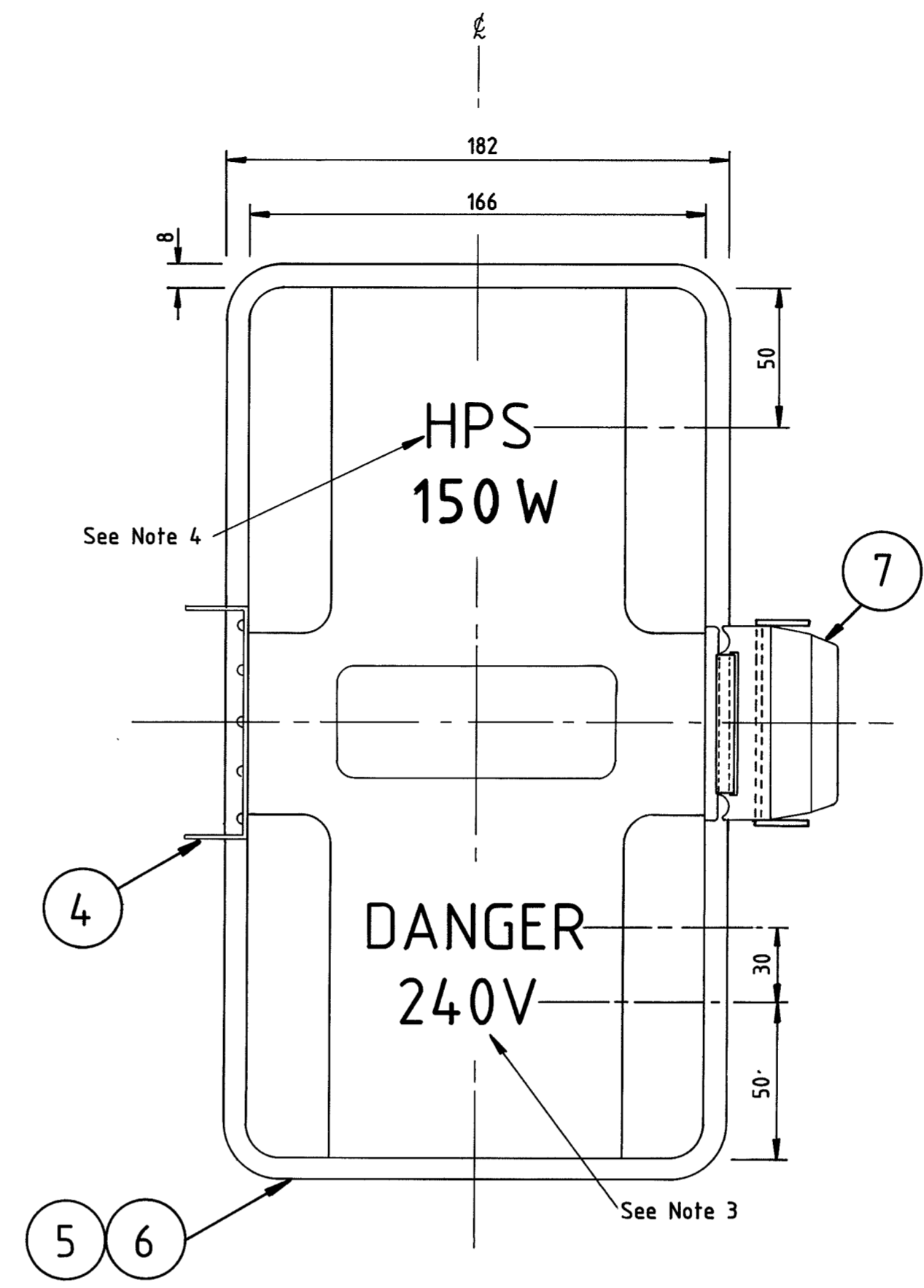
**SIDE VIEW OF BASE**



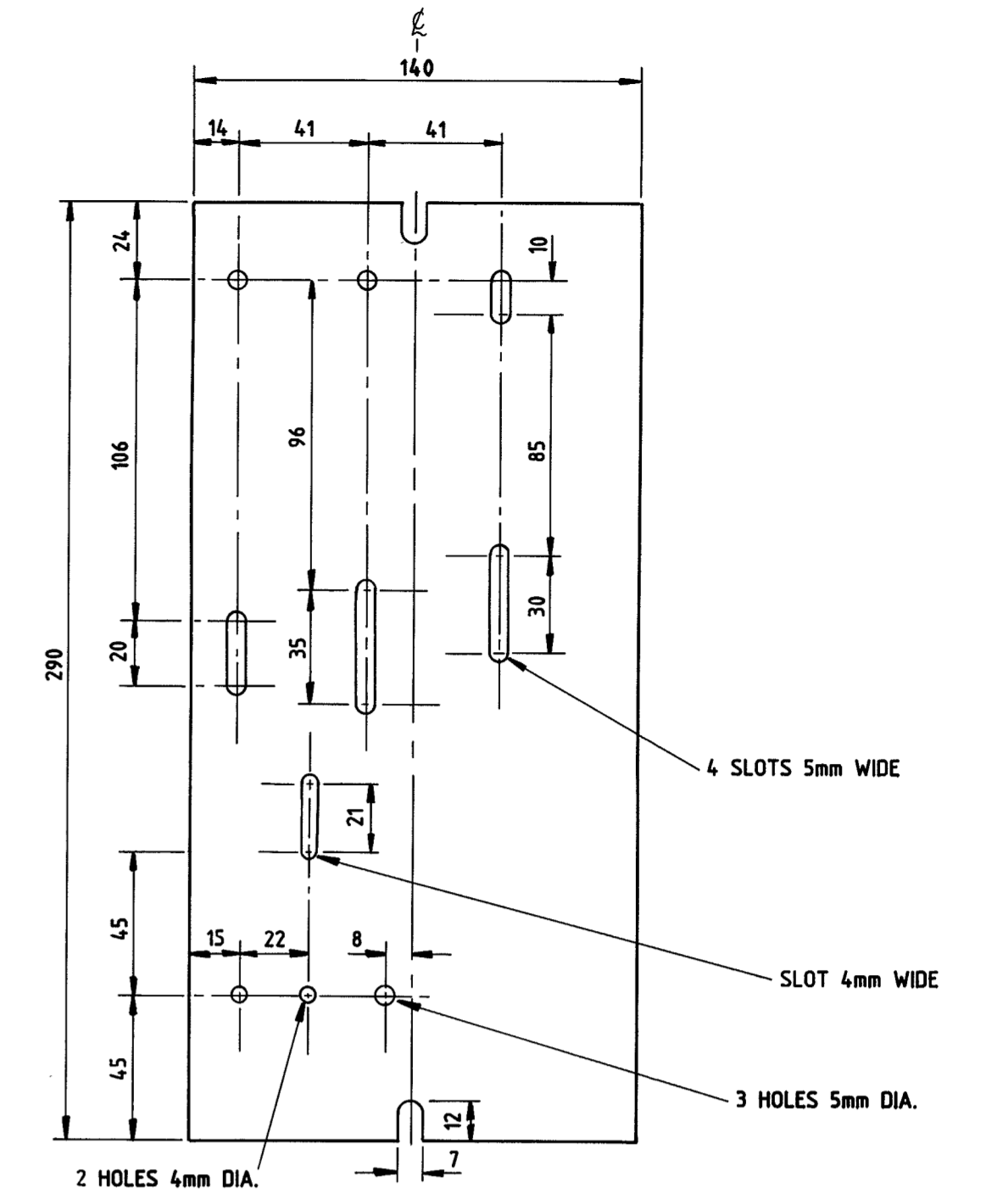
**FRONT VIEW OF BASE (WITH MOUNTING PLATE REMOVED)**



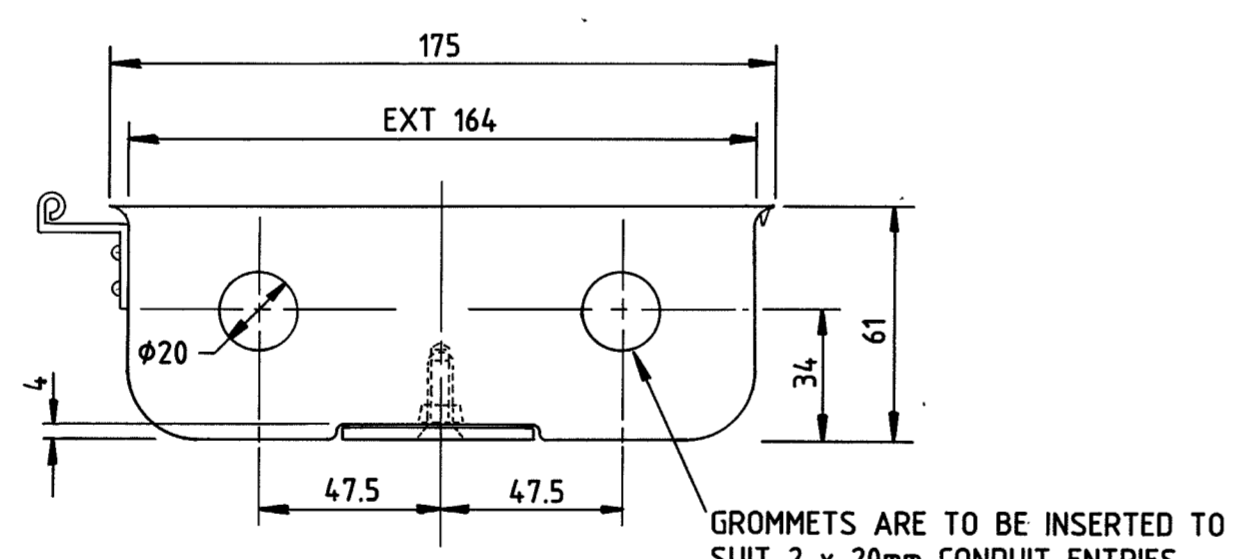
**SIDE VIEW OF LID**



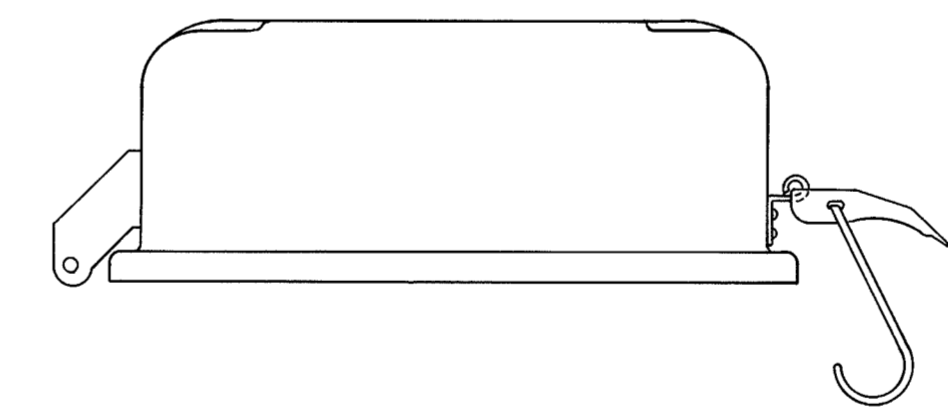
**TYPICAL FRONT VIEW OF LID**



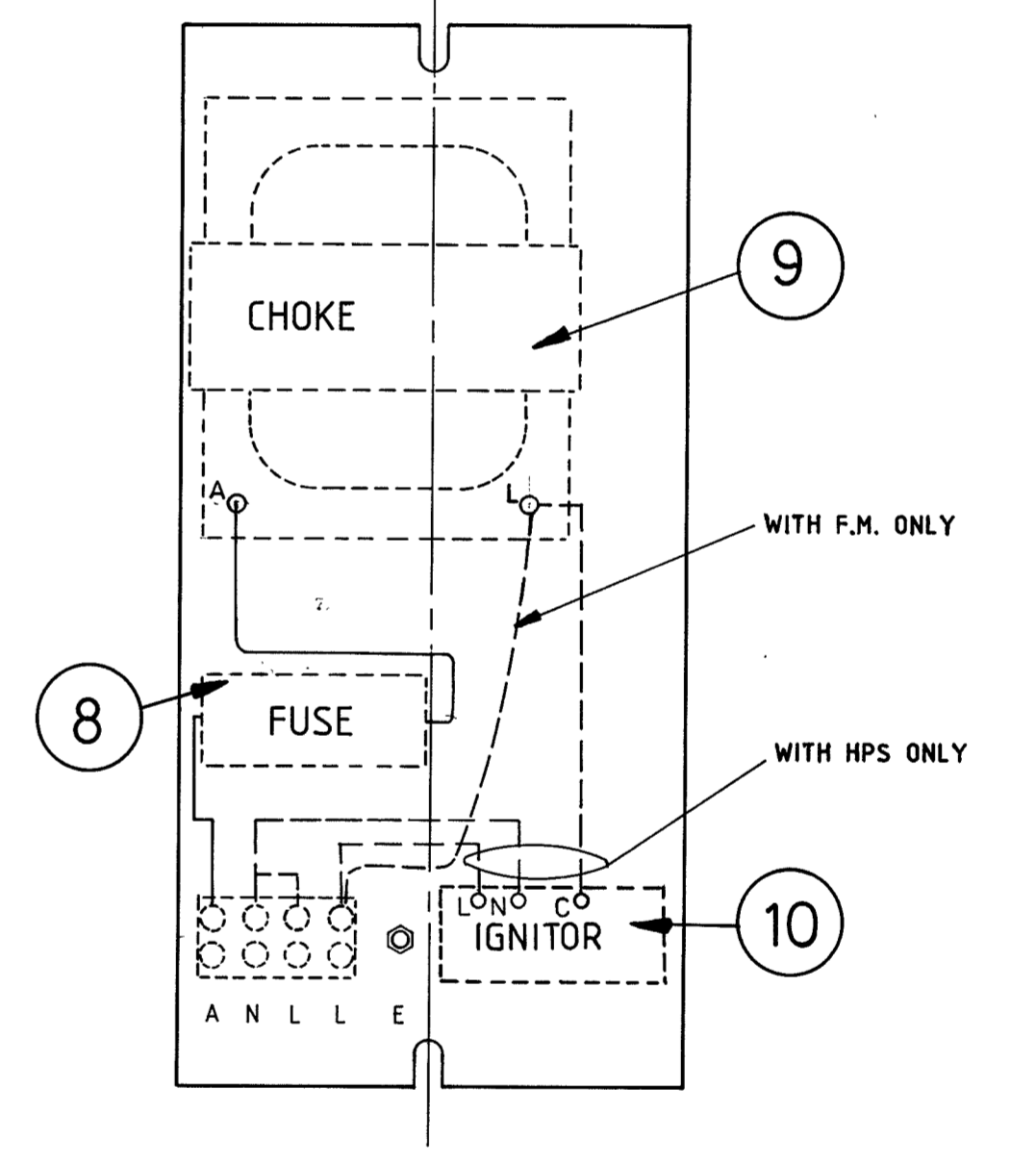
**DRILLING DETAILS OF MOUNTING PLATE**



**BOTTOM VIEW OF BASE**



**BOTTOM VIEW OF LID**



**GENERAL ARRANGEMENT**

- NOTES:**
- HINGE PIN TO BE STAINLESS STEEL WITH EXPANDED ENDS.
  - ITEM N°6 IS TO BE GLUED TO THE INSIDE LIP OF THE LID.
  - LETTERING IS TO BE RED & 24mm HIGH.
  - LETTERING IS TO BE BLACK & 24mm HIGH. THE RATING AND TYPE (HPS OR MBF) SHALL BE PRINTED AS PER THE ORDER.

ITEM	DESCRIPTION	MATERIAL	N° OFF	REMARKS
10	IGNITOR (HPS LAMPS ONLY)			
9	CHOKE			
8	10A F/C HRC CLIP IN FUSE & HOLDER	MEM ADVZOFF SHROUDED FUSE BASE	1	
7	CLIP & FASTENER	STAINLESS STEEL	1	GRADE:304
6	WEATHERPROOF SEAL	CLOSED CELL FOAM RUBBER TAPE	1	See Note 2
5	LID	ALUMINIUM ALLOY	1	GRADE:1200
4	HINGE (Top Half) -LID	ALUMINIUM ALLOY	1	See Note 1, GRADE:1200
3	HINGE (Bottom Half) -BASE	ALUMINIUM ALLOY	1	See Note 1, GRADE:1200
2	MOUNTING STRAP	ALUMINIUM	1	GRADE:6063
1	ATCO D61 CHOKE BOX OR EQUIV.	ALUMINIUM ALLOY	1	GRADE:1200

**AMENDMENT**

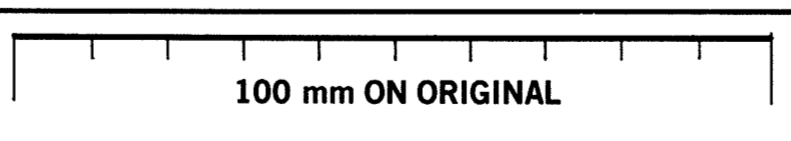
1. REF. A11. 140 WAS 139. REF. FIT. IGNITOR ADDED. REF. HPS-FIT. HPS LAMPS. WAS HP SODIUM LAMPS. P.N. 22669 ST. H.E.B. 15-5-87 CHECKED: M.P.

2. REF. F9. ITEMS 8, 9, & 10 ADDED. REF. E41. WIRING ADDED TO G.A. P.N. 22860 15-7-87 CHECKED: M.P. *llc*

3. DTILETT & E10. ITEMS 8, 9 & 10 ADDED. FM AND HPS ONLY NOTATIONS ADDED. REF. BB. 150 W ADDED TO FRONT VIEW OF LID. REF. SZ. ADDITION TO NOTE 4. P.N. 22941 H.E.B. 22-9-87 *WJ* CHECKED: A.S.K.

4. REF. G.11. OR EQUIV. ADDED TO ITEM 1. REF. E40 - ITEM 8 WAS PORCELAIN RE WIREABLE FUSE DRAWN PH/M/P APPROV PH/BL 2-7-99

5. REF. G-11. ITEM 8 MATERIAL ADDED WARMSTRONG 7-6-01 P.N. ES 99-15-46-17 CHECKED: APPROVED.



SCALE 1:2  
 PROD. No. 22162  
 DRAWN P.P.W.  
 CHECKED H.W.  
 APPROVED FOR ISSUE *[Signature]* D.C.  
 DATE 30.7.86.

STREET LIGHTING EQUIPMENT  
 F.M. & H.P.S. LAMPS  
 ALUMINIUM ALLOY CHOKE BOX  
 DETAILS.

**SYDNEY COUNTY COUNCIL**

SIZE	NUMBER	AMD.
A1	66145	5