

MODIFIED ROCKS STYLE LIGHTING COLUMNS (IN-GROUND & BPM)	B1-63060
4 WAY MOULDED TERMINAL BLOCK-- OBA STUD FOR STREET LIGHTING STANDARDS	A3-40980
ROCKS STYLE LIGHTING COLUMN ARRANGEMENT & DETAILS	B1-53942
STEEL POST TAP COLUMN, INGROUND MOUNTED	B1-66271
STEEL CURVED BRACKET ARM COLUMNS--INGROUND MOUNTED	B1-66272
STEEL CURVED BRACKET ARM COLUMNS--BASE PLATE MOUNTED	B1-66273
STEEL COLUMNS WITH 4.5 OR 6M OUTREACH,INGROUND MOUNTED	B1-66637
STEEL COLUMNS WITH 4.5 OR 6M OUTREACH, BASE PLATE MOUNTED	B1-115041
7.5m, 9m & 10.5m STEEL LAMP STANDARD	C-26167

NOTES

- THIS PANEL IS DESIGNED FOR USE WITH DEDICATED SL CIRCUITS
- WIRING & COMPONENTRY MUST NOT PROJECT BEYOND EDGE OF PANEL, NOR EXCEED THE HEIGHT LIMIT SHOWN.
- IGNITOR SHALL BE SUPERIMPOSED PULSE TYPE.
- CHOKE SHALL HAVE TWO TERMINALS ONLY.
- ALL CHOKES + IGNITORS SHALL TERMINATE WITH TUNNEL TYPE CONNECTORS.
- REAR INSULATING PANEL COVER (ITEM 12) TO BE GLUED TO BACK OF PANEL AFTER ALL THE ACCESSORIES HAVE BEEN SECURED ONTO THE FRONT OF THE PANEL.
- CHOKE, IGNITOR SUPPORT BRACKET & FUSE ARE TO BE SECURED TO PANEL BY SELF TAPPING SCREWS.
- THE ACTIVE TERMINAL SHALL BE TAKEN AS THAT ON THE FAR RIGHT OF THE 4 WAY TERMINAL BLOCK . THE NEUTRAL SHALL BE TAKEN AS THAT ON THE FAR LEFT OF THE 4 WAY TERMINAL BLOCK.
- ALL WIRING BETWEEN THE 4 WAY TERM. BLOCK FOR INCOMING SUPPLY & THE 2 WAY TERM. BLOCK FOR CONNECTION TO THE LAMP, INCLUDING FUSE, CHOKE & IGNITER, SHALL BE SO CONSTRUCTED AND RESTRAINED PERMANENTLY AS TO COMPLY WITH THE REQUIREMENTS OF CLAUSE 5.4.7 OF AS 3100. THE PROVISIONS OF THIS NOTE DO NOT APPLY TO WIRING WHERE CONNECTED DIRECTLY TO THE ACTIVE TERMINAL ON THE 4 WAY TERM. BLOCK. TYPICALLY, WIRING SHALL BE RESTRAINED WHERE INDICATED THUS *
- ALL WIRING BETWEEN COMPONENTS ON THE PANEL SHALL BE SINGLE CORE EXCEPT BETWEEN THE LAMP TERMINAL BLOCK (ITEM 10) & IGNITER TERMINALS "L" & "N" WHICH SHALL BE TWIN.
- SELF TAPPING SCREWS SHALL BE ASSEMBLED INTO PILOT HOLES. SCREWS SHALL NOT PENETRATE PANEL BY MORE THAN 10mm.

PANEL	STOCKCODE
100W.	89995
150W.	66720
250W.	66803
400W.	66811

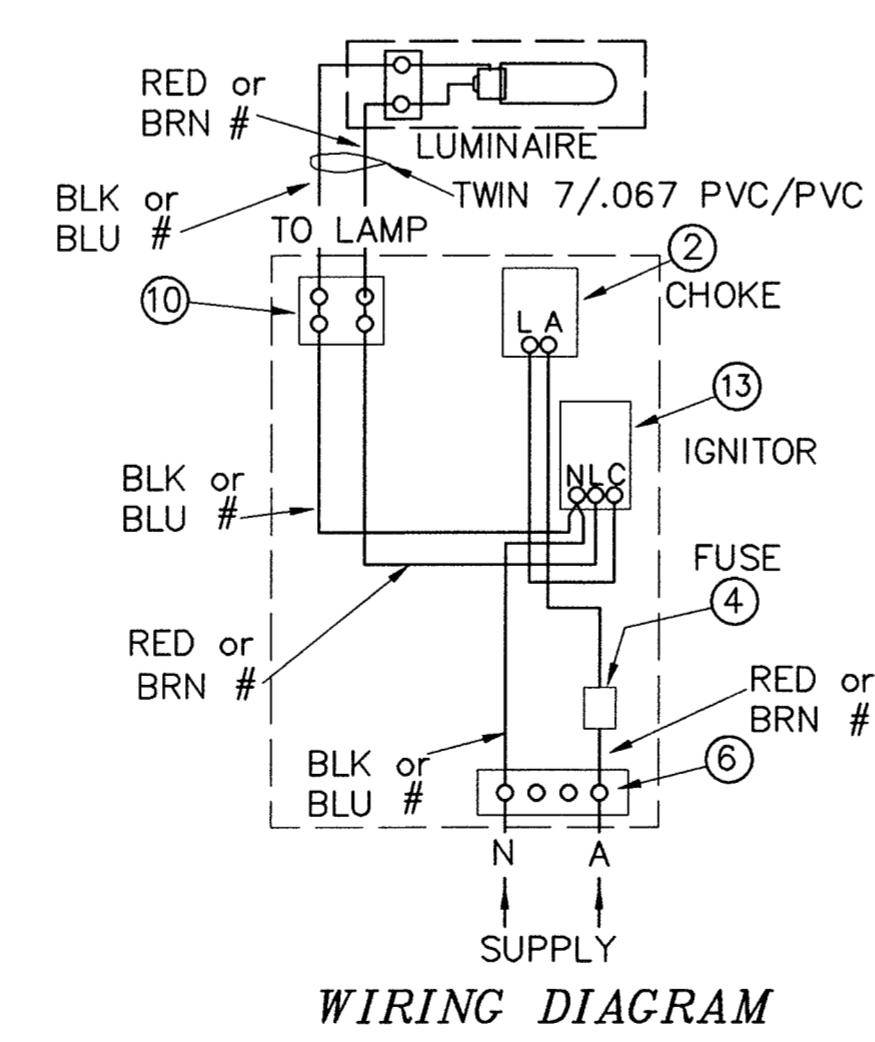
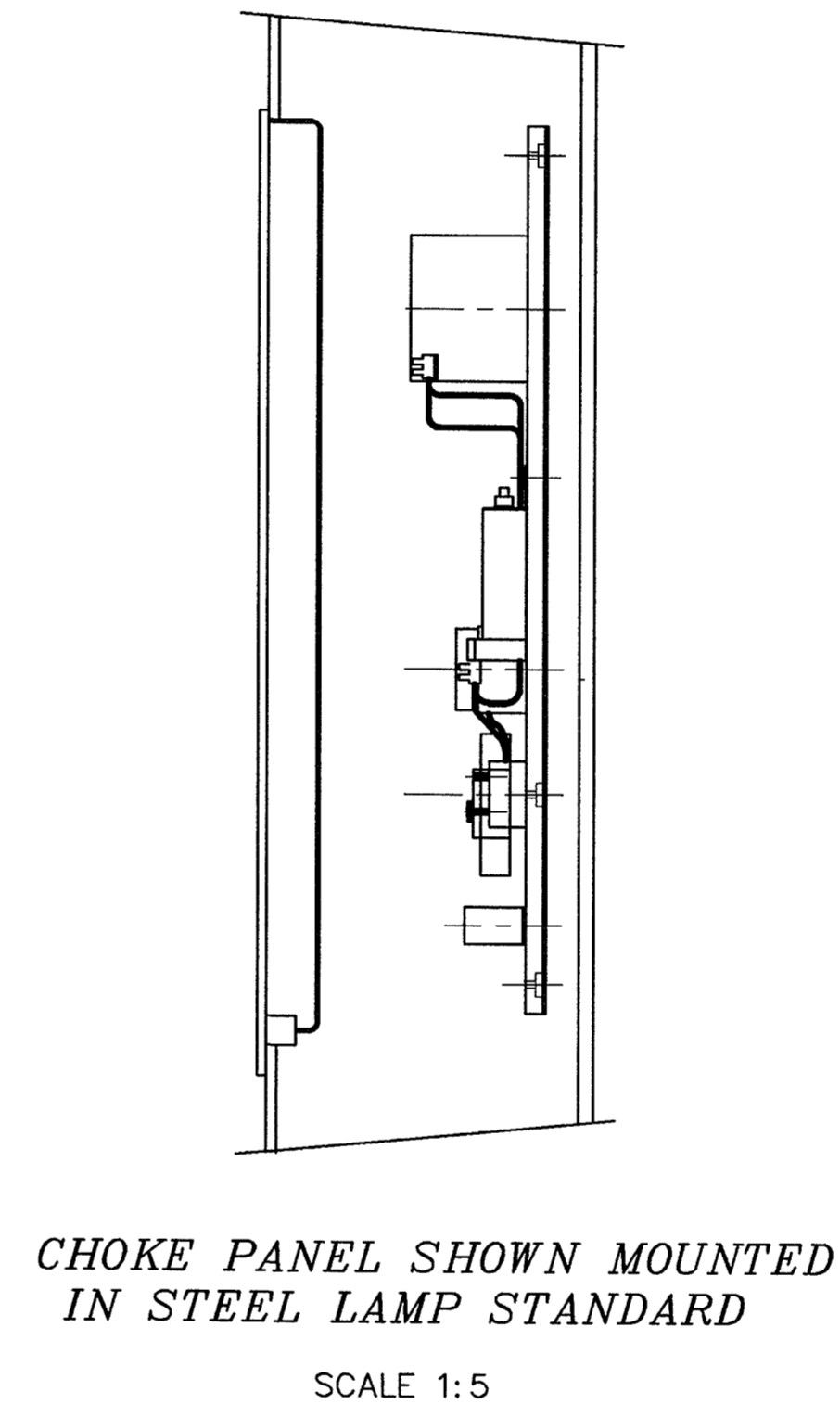
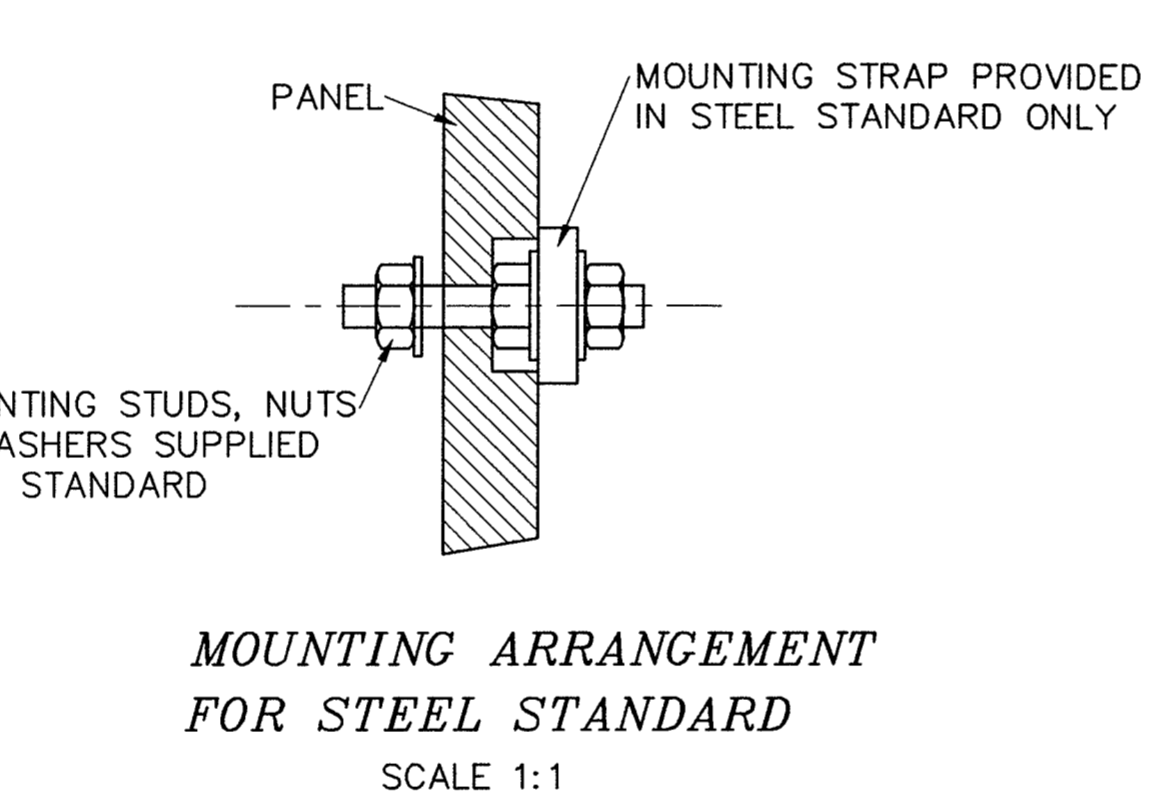
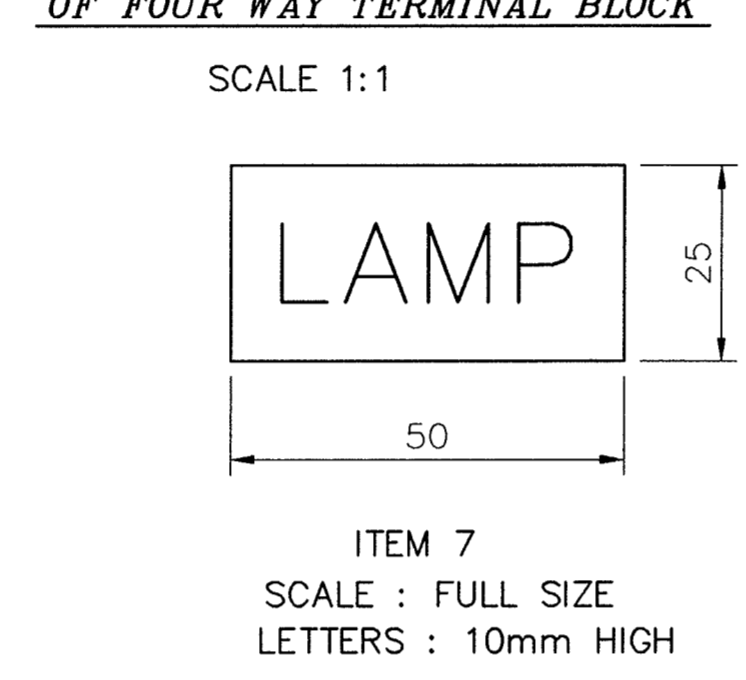
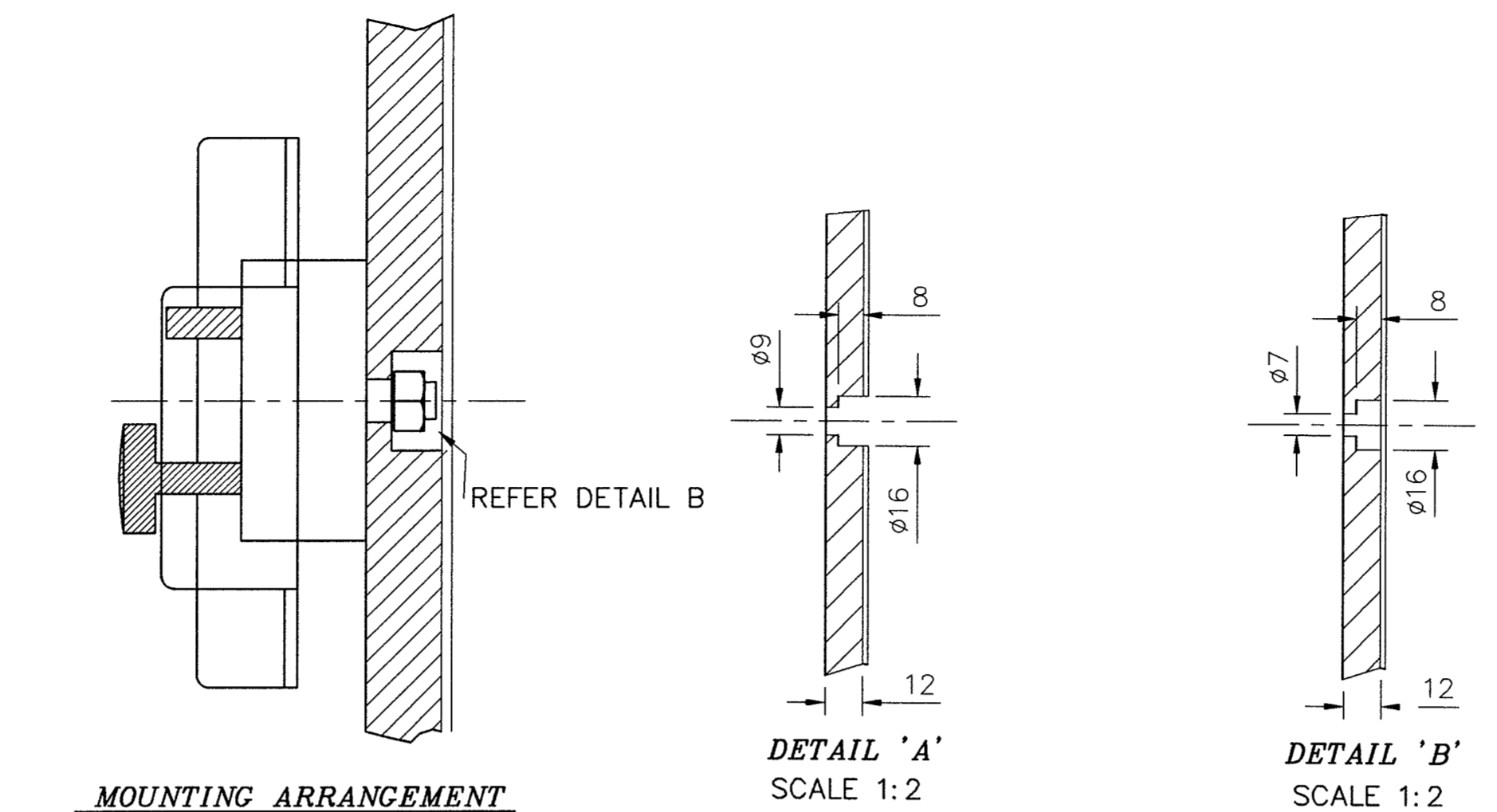
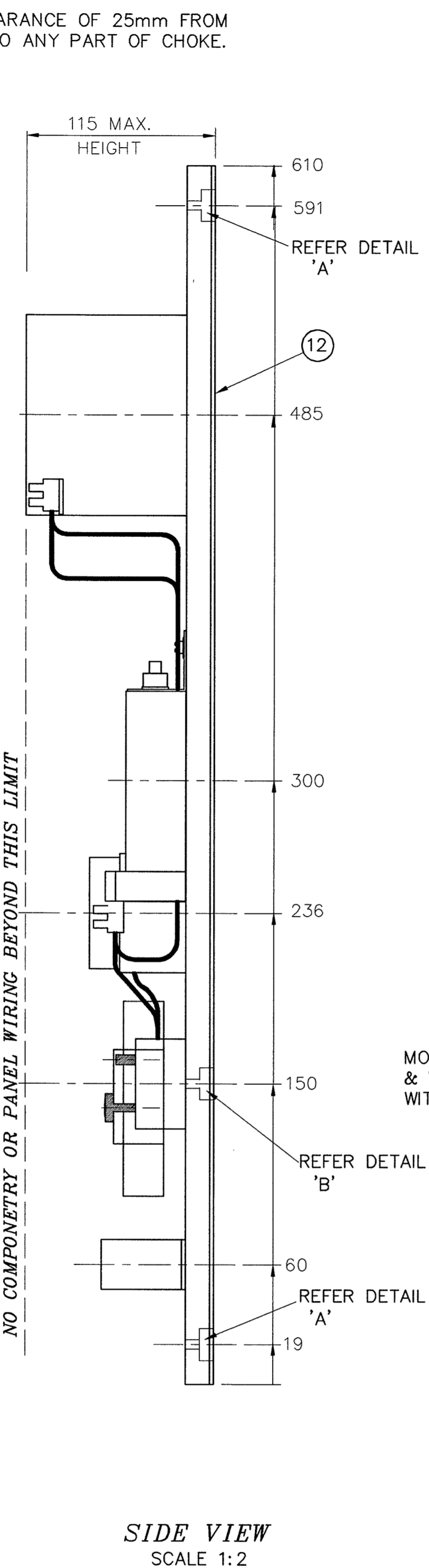
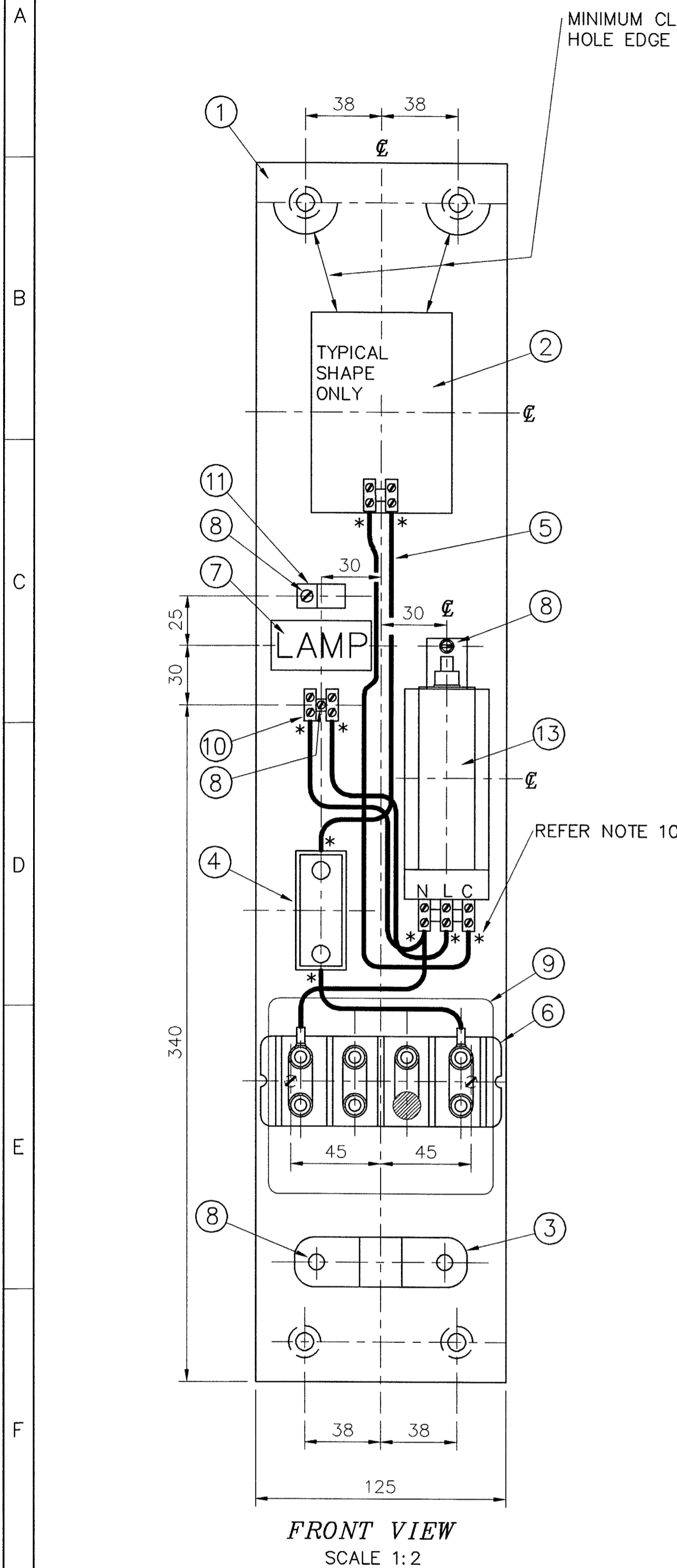
ITEM	DESCRIPTION	QUANTITY	MATERIAL
13	IGNITOR (TO S.E. SPECIFICATION)	1	INCLUDES SUPPORT BRACKET AS REQUIRED
12	PANEL-- REAR INSULATING COVER	1	1.6mm S.R.B.P. SHEET (AS 1795-Pt.1)
11	CABLE CLAMP	1	UTILUX CAT. No H1509 OR SIMILAR
10	TERMINAL BLOCK	1	CLIPSAL CAT. No BP102
9	COVER	1	UTILUX CAT. No H2517 P.V.C. CLEAR
8	SELF TAPPING SCREW	AS REQ.	ELECTROPLATED STEEL
7	LABEL --YELLOW ON BLACK	1	PHOTO SENSITIVE SELF ADHESIVE
6	4 WAY TERMINAL BLOCK (A3-40980)	1	MOULDED INSULATION
5	PANEL WIRING	AS REQ.	7/0.67 P.V.C./P.V.C.
4	10A. F/C HRC CLIP-IN FUSE & HOLDER.	1	MEM ADV20FF SHROUDED FUSE BASE OR SIMILAR
3	CABLE SADDLE (INTERNAL RADIUS 15mm)	1	NYLON OR PVC
2	LAMP CHOKE (TO S.E. SPECIFICATION)	1	
1	PANEL (TO AS-1795 Pt.1)	1	12mm FORMICA GRADE SWITCH PANEL

SYDNEY ELECTRICITY

H.P.S. LAMP CHOKE PANELS

FOR STREET LIGHTING STANDARDS

SCALE	AS SHOWN	DRAWN	K.S.
PROD No.	XXXX	CHK'D	G.B.
APPROVED FOR			
EM-ES	10-11-78		
SIZE	DWG. NUMBER	AMD	
A1	56312	9	



SPECIFIC BASIC INSULATION COLOUR
 RED or BRN-RED OR BROWN
 BLK or BLU-BLACK OR BLUE

AMENDMENTS

7. REDRAWN ON CAD. ITEMS 13,14 & 15 ADDED, WIRING ALTERED TO SUIT. NEW NOTE 7 AND NOTES 9-12 ADDED.
 A.U.E. 29-6-93
 P.Nos.83125-83129
 Ckd: M.P. App: D.G.H.

8. Grid ref G10. Item 4 was porcelain rewirable fuse.
 M.P. 5/7/99
 Ckd / App: B.J.L

9. FUSE BASE (ITEM 4) DETAIL ADDED (REF G12)

JC 14.12.00
 CHECKED PIE
 APPROVED PIE

AC APPROVAL
 SIGNATURE DATE
 THIS ONLY APPEARS ON PRINTS PRODUCED FROM APPROVED CAD

