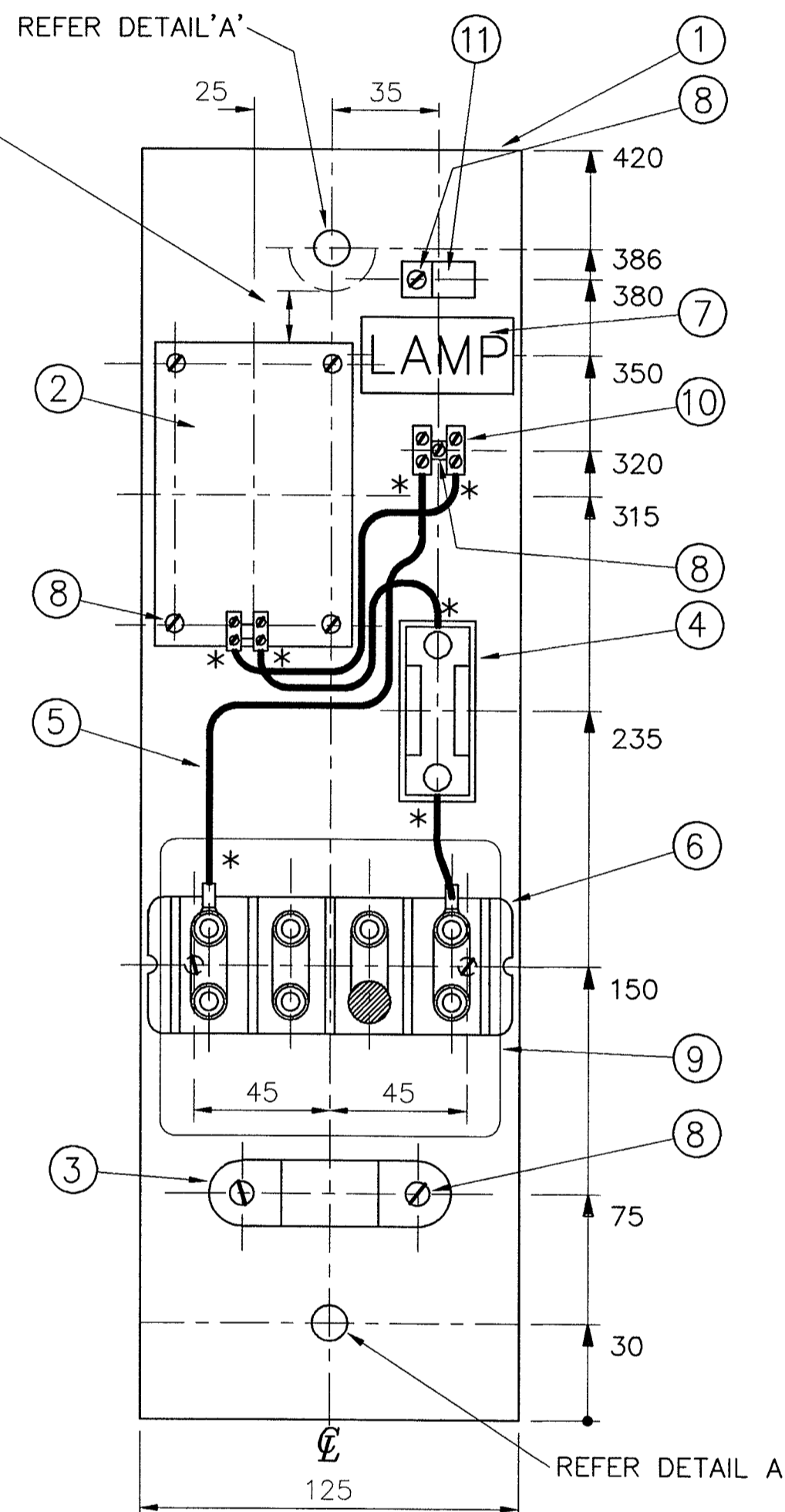


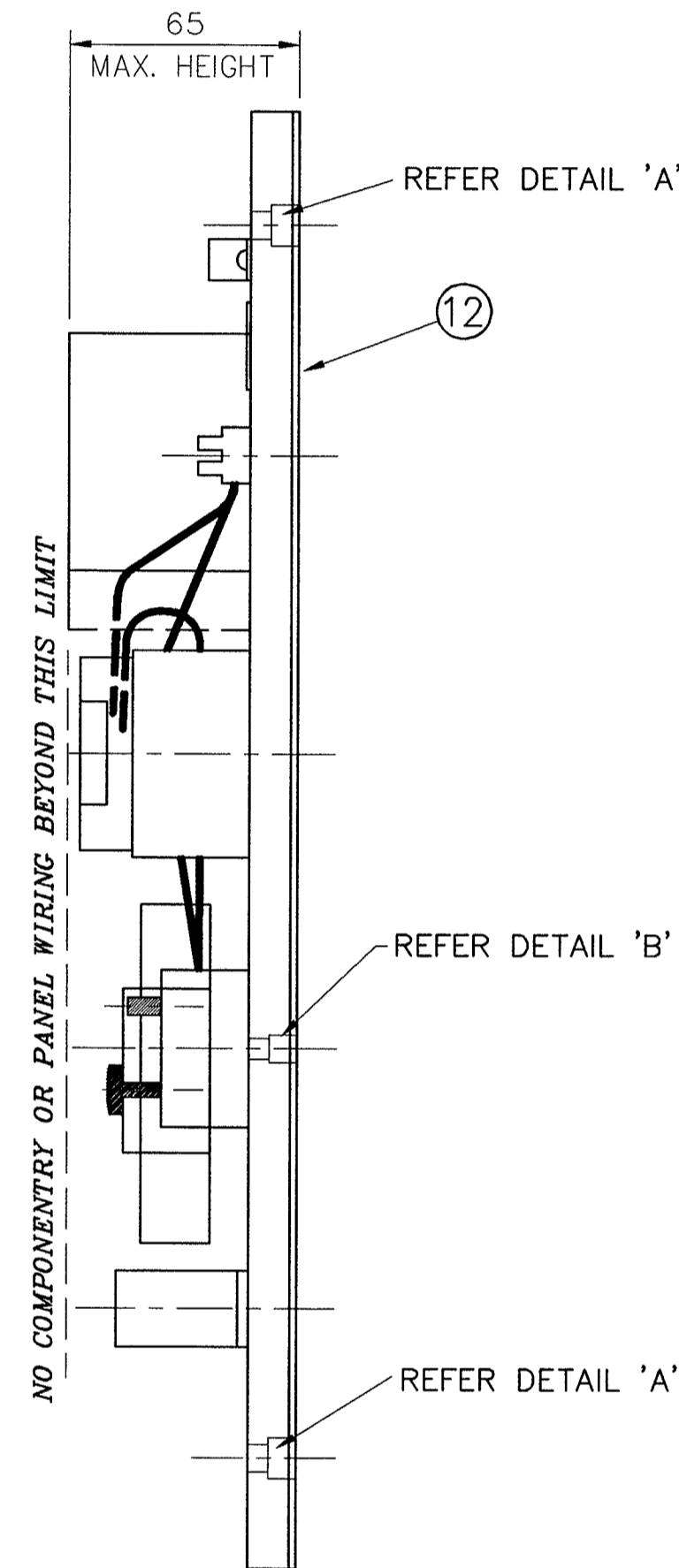
REFERENCE DRAWINGS

4 WAY MOULDED TERMINAL BLOCK- OBA STUD FOR STREET LIGHTING STANDARDS	A3-40980
CONCRETE STREET LIGHTING STANDARDS-CANBERRA COLUMN	A1-41301
STEEL POST TOP COLUMN, INGROUND MOUNTED	B1-66271
STEEL CURVED BRACKET ARM COLUMNS-INGROUND MOUNTED	B1-66272
STEEL CURVED BRACKET ARM COLUMNS-BASE PLATE MOUNTED	B1-66273

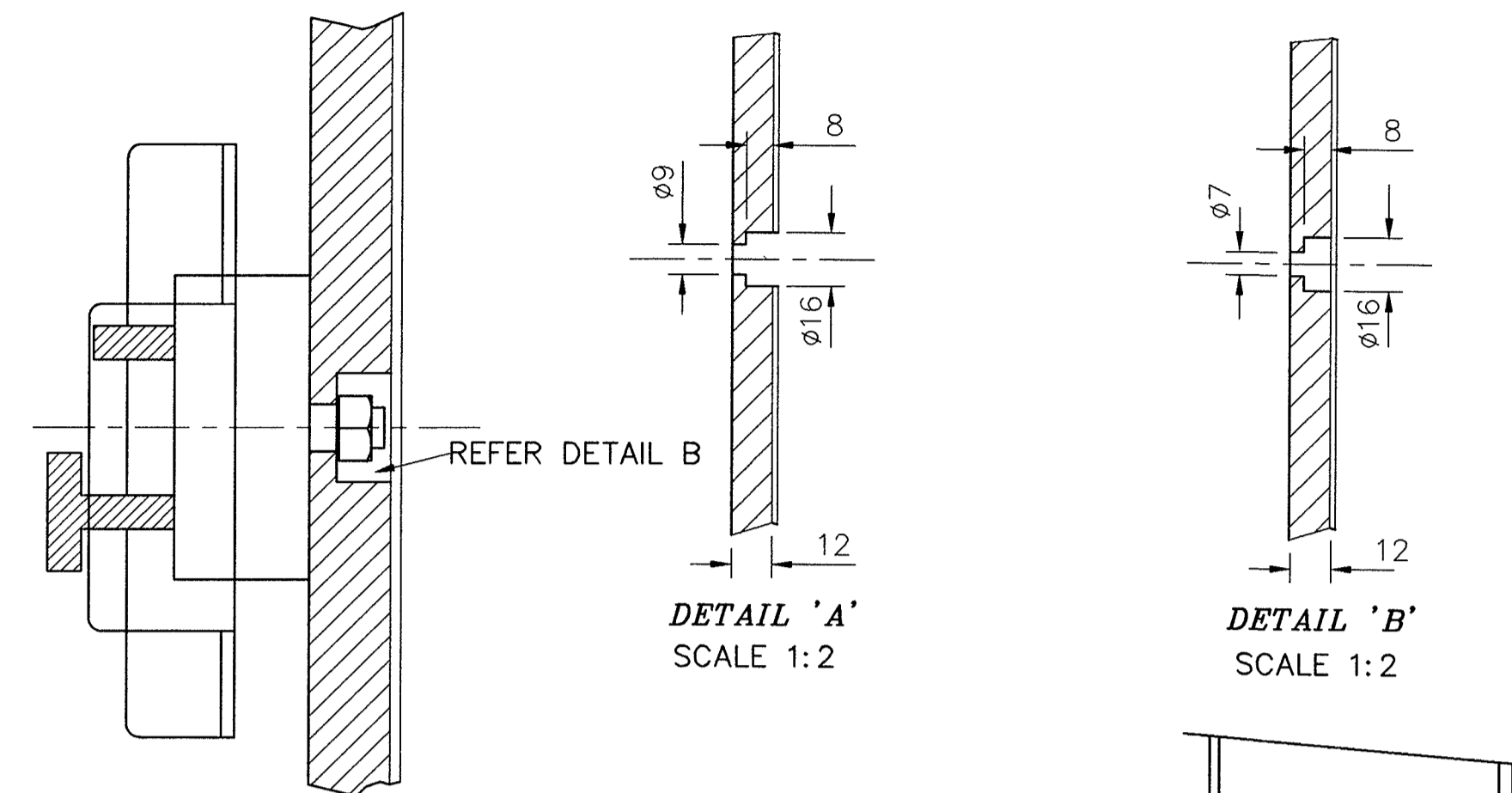
MINIMUM CLEARANCE OF 25mm FROM HOLE EDGE TO ANY PART OF CHOKE.



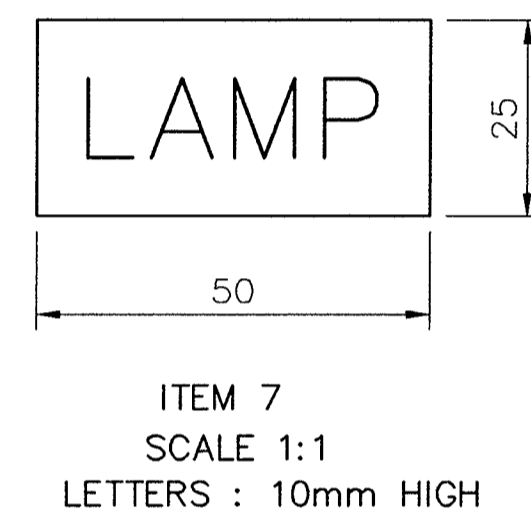
FRONT VIEW
SCALE 1:2



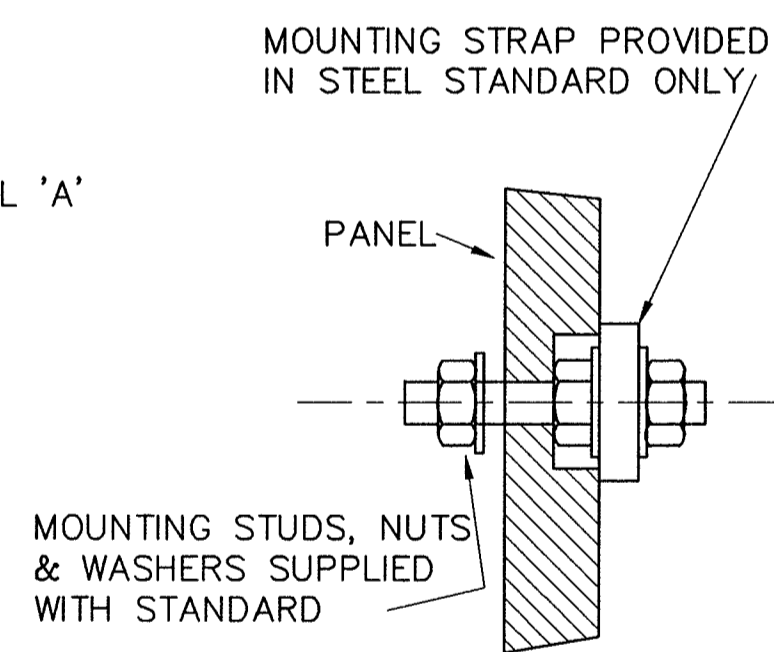
SIDE VIEW
SCALE 1:2



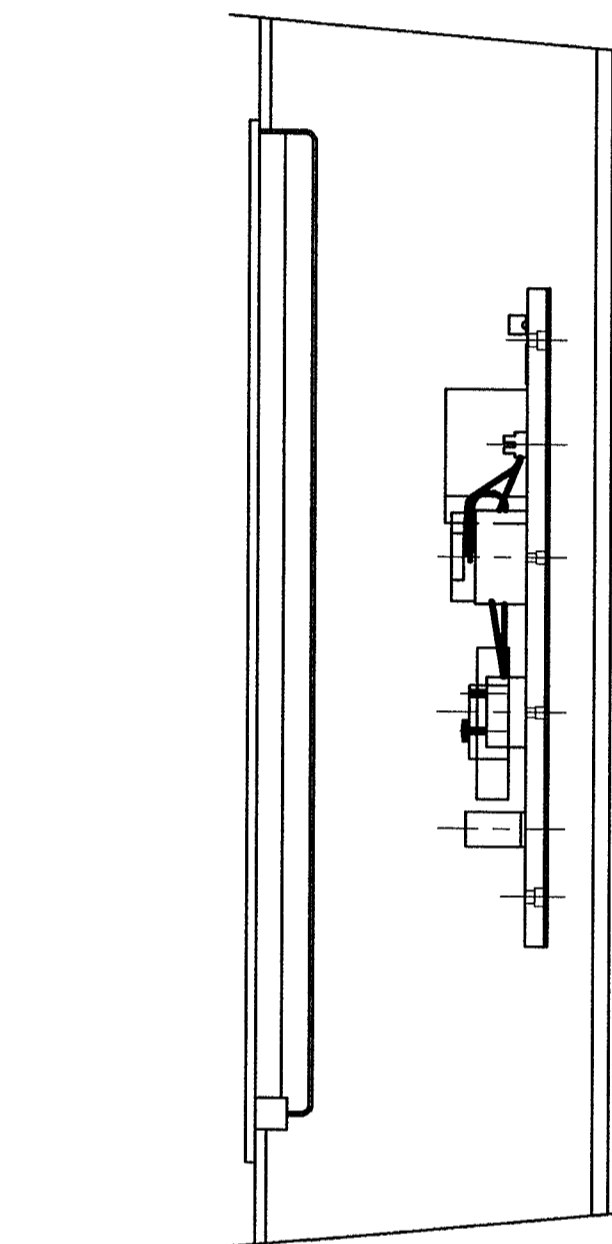
MOUNTING ARRANGEMENT OF FOUR WAY TERMINAL BLOCK
SCALE 1:1



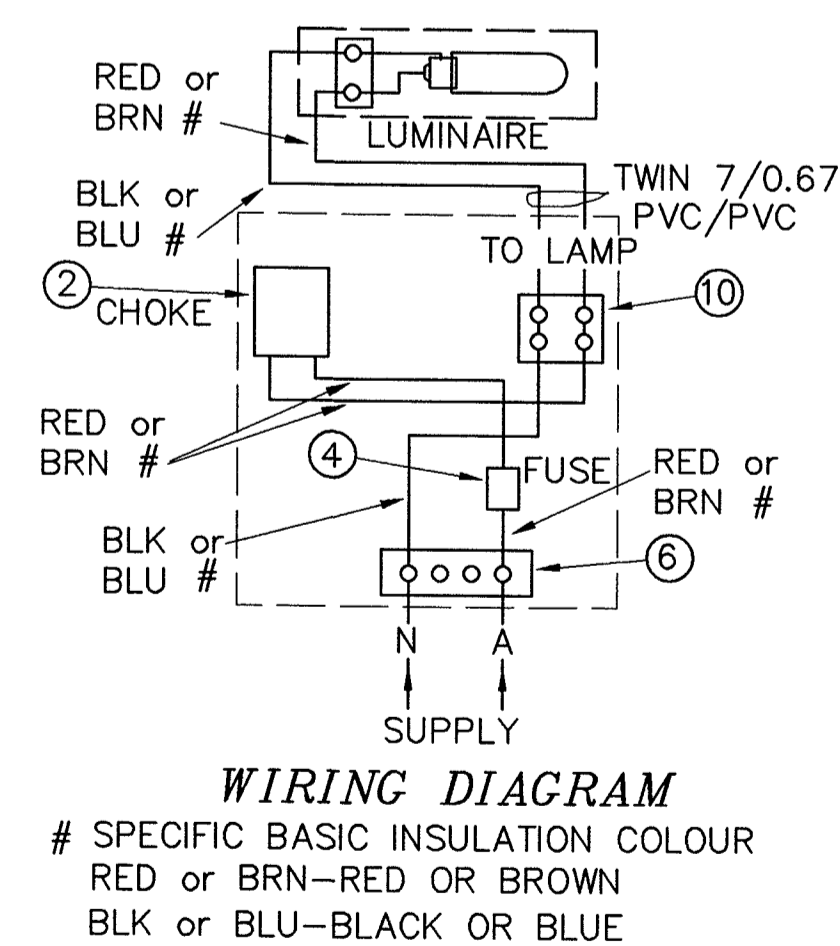
ITEM 7
SCALE 1:1
LETTERS : 10mm HIGH



MOUNTING ARRANGEMENT FOR STEEL STANDARD
SCALE 1:1



CHOKE PANEL SHOWN MOUNTED IN STEEL LAMP STANDARD
SCALE 1:5



WIRING DIAGRAM
SPECIFIC BASIC INSULATION COLOUR
RED or BRN-RED OR BROWN
BLK or BLU-BLACK OR BLUE

NOTES

- THIS PANEL IS DESIGNED FOR USE WITH DEDICATED SL CIRCUITS
- WIRING & COMPONENTRY MUST NOT PROJECT BEYOND EDGE OF PANEL, NOR EXCEED THE HEIGHT LIMIT SHOWN.
- CHOKE (ITEM 2) & ITEMS 4, 10 & 11 ARE TO BE SECURED TO PANEL (ITEM 1) BY MEANS OF SELF TAPPING SCREWS
- CHOKE SHALL HAVE TWO TERMINALS ONLY & TERMINATE WITH TUNNEL TYPE CONNECTORS.
- THE ACTIVE TERMINAL SHALL BE TAKEN AS THAT ON THE FAR RIGHT OF THE 4 WAY TERMINAL BLOCK. THE NEUTRAL SHALL BE TAKEN AS THAT ON THE FAR LEFT OF THE 4 WAY TERMINAL BLOCK.
- ALL WIRING BETWEEN THE 4 WAY TERM. BLOCK FOR INCOMING SUPPLY & THE 2 WAY TERM. BLOCK FOR CONNECTION TO THE LAMP, INCLUDING FUSE AND CHOKE, SHALL BE SO CONSTRUCTED AND RESTRAINED PERMANENTLY AS TO COMPLY WITH THE REQUIREMENTS OF CLAUSE 5.4.7 OF AS 3100. THE PROVISIONS OF THIS NOTE DO NOT APPLY TO WIRING WHERE CONNECTED DIRECTLY TO THE ACTIVE TERMINAL ON THE 4 WAY TERM. BLOCK. TYPICALLY, WIRING SHALL BE RESTRAINED WHERE INDICATED THUS *
- REAR INSULATING PANEL COVER (ITEM 12) TO BE GLUED TO BACK OF PANEL AFTER ALL THE ACCESSORIES HAVE BEEN SECURED ONTO THE FRONT OF THE PANEL.
- SELF TAPPING SCREWS SHALL BE ASSEMBLED INTO PILOT HOLES. SCREWS SHALL NOT PENETRATE PANEL BY MORE THAN 10mm.

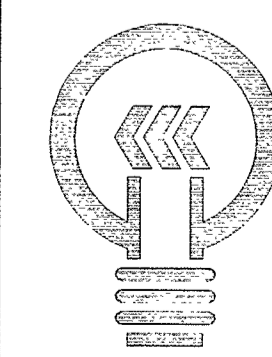
ITEM	DESCRIPTION	QUANTITY	MATERIAL
12	PANEL- REAR INSULATING COVER	1	1.6mm S.R.B.P. SHEET (AS-1795 Pt.1)
11	CABLE CLAMP	1	UTILUX CAT. No H1509 OR SIMILAR
10	TERMINAL BLOCK	1	CLIPSALE CAT. No BP102
9	COVER	1	UTILUX CAT. No H2517 P.V.C. CLEAR
8	SELF TAPPING SCREW	As Reqd.	ELECTROPLATED STEEL
7	LABEL -YELLOW ON BLACK	1	PHOTO SENSITIVE SELF ADHESIVE
6	4 WAY TERMINAL BLOCK (A3-40980)	1	MOULDED INSULATION
5	PANEL WIRING	As Reqd.	7/0.67 P.V.C./P.V.C.
4	10A. F/C HRC CLIP-IN FUSE & HOLDER	1	MEM ADV20FF SHROUDED FUSE BASE OR SIMILAR
3	CABLE SADDLE (INTERNAL RADIUS 15mm)	1	NYLON OR PVC
2	LAMP CHOKE (TO S.E. SPECIFICATION)	1	ATCO TYPE OMB125 OR SIMILAR
1	PANEL (TO AS-1795 Pt.1)	1	12mm FORMICA GRADE SWITCH PANEL

AMENDMENTS

1.	Ref G 10. Item 4 was porcelain rewirable fuse.
2.	FUSE BASE (ITEM 4) DETAIL ADDED (REF G12)

Drawn: M.P. 5/7/99
Chk / App: B.J.L.
JC
14-12-00
CHECKED P.I.E.
APPROVED P.I.E.

AC APPROVAL
4.6.01
SIGNATURE DATE
THIS ONLY APPEARS ON PRINTS PRODUCED FROM
A.M.P. CHD



SYDNEY ELECTRICITY

125 WATT MERCURY VAPOUR LAMP
PANELS FOR 4.5 & 6.5m
STREET LIGHTING STANDARDS
GENERAL ARRANGEMENT & DETAILS

SCALE	AS SHOWN	DRAWN	A.J.E.
PROD No.	83125-8	CHK'D	M.P.
APPROVED FOR	EM-ES	D.G.H.	12-10-93
SIZE	DWG. NUMBER	AMD	
A1	119084	2	