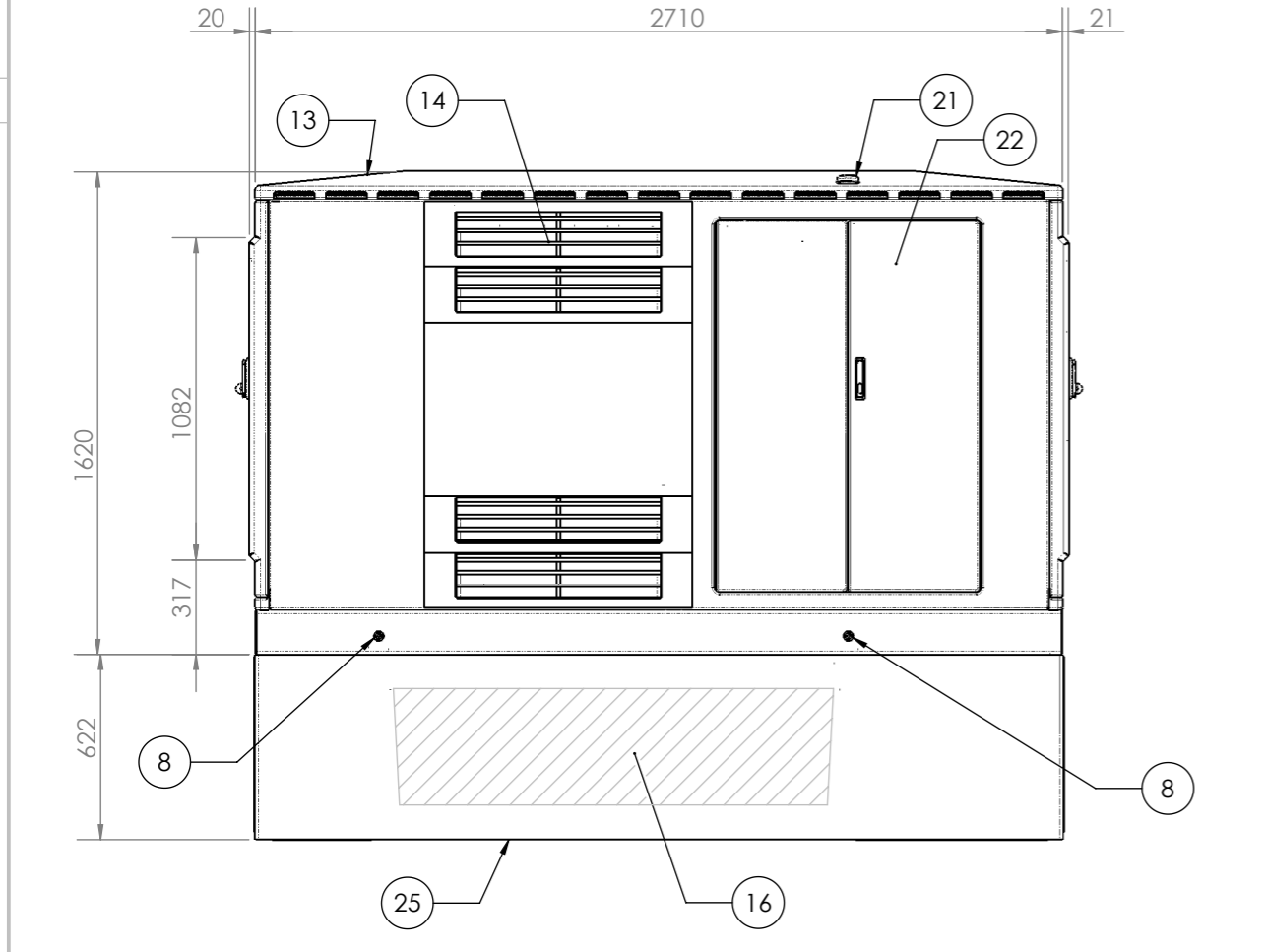
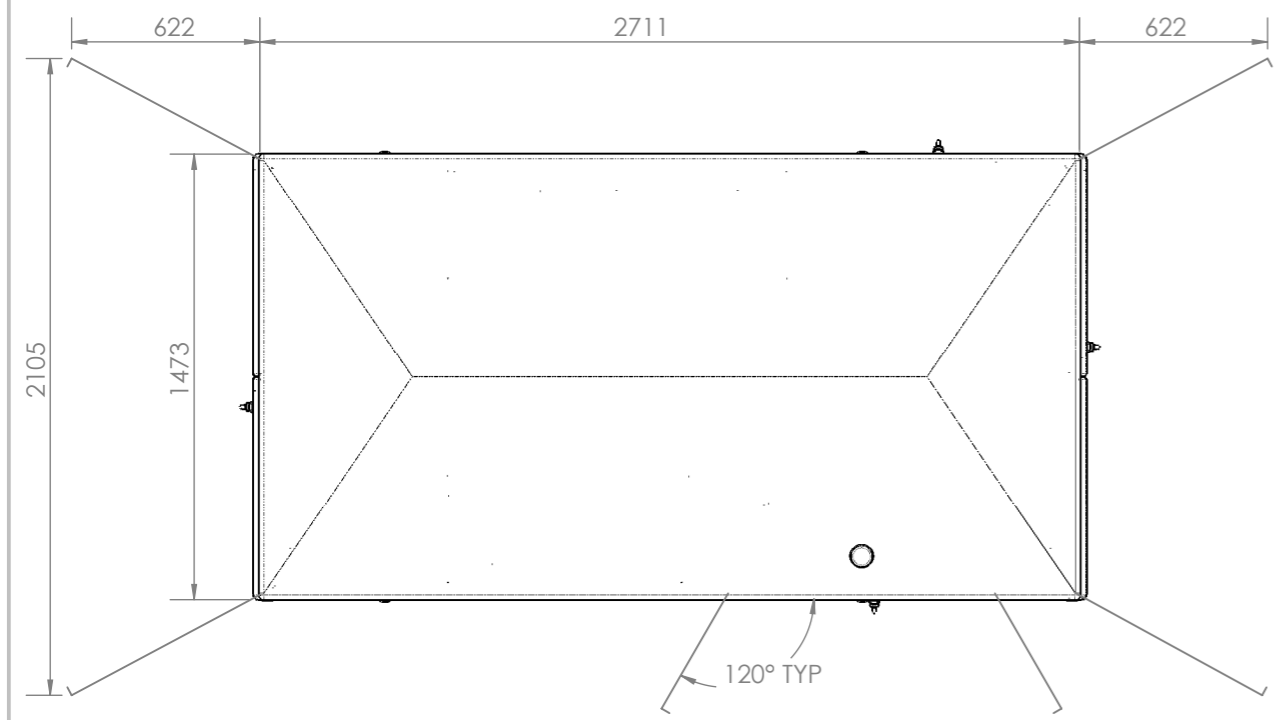


REVISIONS				
REV.	DESCRIPTION	COMPILED BY	APPROVED	DATE
T	BOM RE-CONFIGURED TO ACCOMMODATE 881-A008-12 ASSY (NO LV SWITCHGEAR)	G.R.	G.A.C.	24/2/15
U	506-7006P22 REMOVED FROM BOM	G.R.	G.A.C.	21/5/15



**WILSON TRANSFORMER**  
TO AS 60076  
WTC SERIAL NUMBER  
**A008**

kVA	800	Insul. liquid Oil	INHIBITED
Phase	3	Temp. rise Oil/Wdg	60/65
Frequency	50		
Volts (no load)	HV 11000	Untanking mass	kg 1.458
Amps	LV 433	Liquid volume	695
Amps	HV 42	Pressure min/max (kPa abs)	50/130
Amps	LV 1067	Compliance	HEPS
Vector group	Dyn1	Year of manufacture	
Insulation level	L195AC28/AC15	Impedance	%
Cooling type	ONAN		
LV Winding	Aluminium		
HV Winding	Aluminium		

Plan of tank

ACROSS	HV	POS	%	CONN	LV	ACROSS
A12 B12 C12	11495	1	104.5	7-6		a2 b2 c2
	11330	2	103.0	6-8		
	11165	3	101.5	8-5		
	11000	4	100.0	5-9		
	10835	5	98.5	9-4	433	
	10670	6	97.0	4-10		
	10505	7	95.5	10-3		
	10340	8	94.0	3-11		
	10175	9	92.5	11-2		

SUMMARY OF MASSES

TRANSFORMER	2735
KIOSK	473
HV SWITCHGEAR	280
LV SWITCHGEAR	235
MISC	186
TOTAL (EX CONCRETE PLINTH)	3909
CONCRETE PLINTH	3200
TOTAL (INC CONCRETE PLINTH)	7109

AUSGRID CONTRACT NUMBER: AG2869/11  
AUSGRID ITEM NUMBER:  
AUSGRID IDENTIFICATION NUMBER:

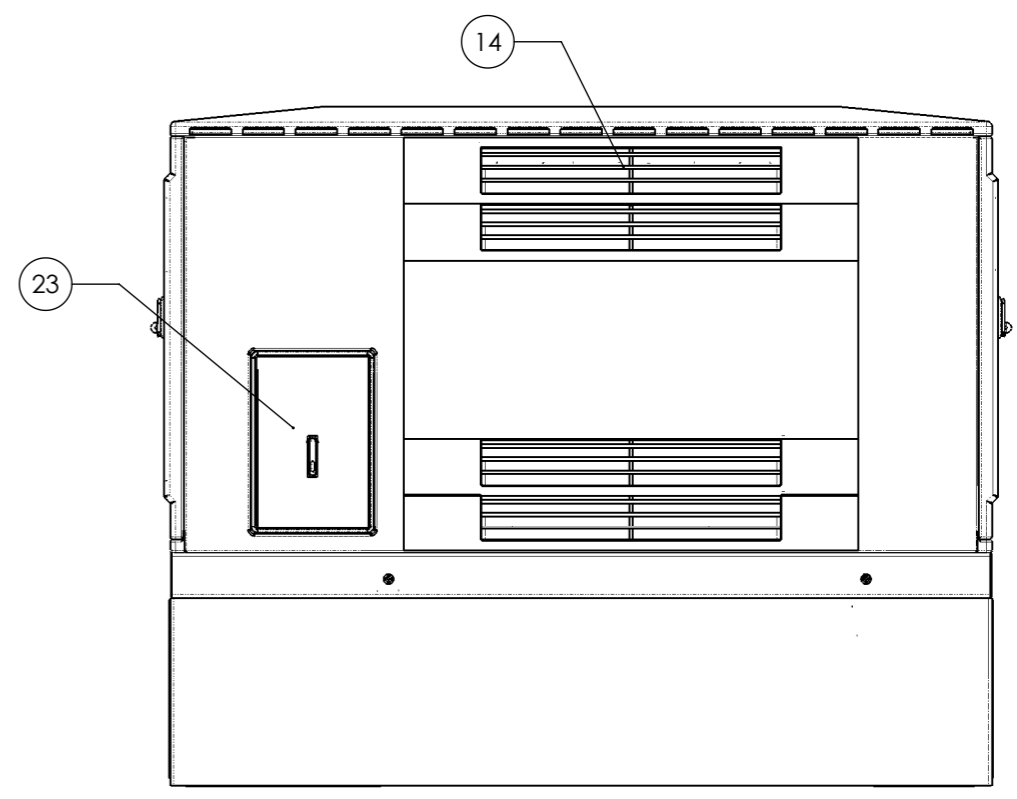
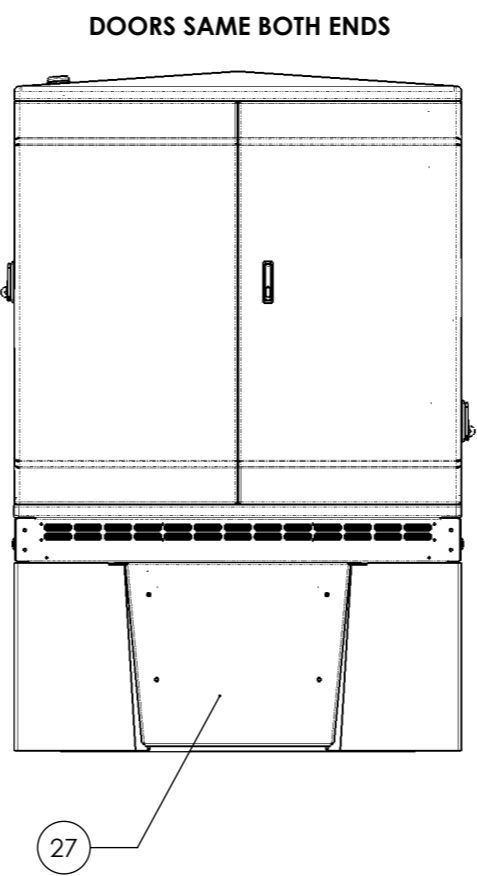
WARNING:  
1. Off circuit tap selector, de-energise before changing taps.  
2. This is a Sealed Transformer  
3. Transformer is completely full of oil - no gas space

721-A008-01/A

- HV BUSHING WELLS - DEADBREAK 22KV WITH INSERTS
- LV MONOBLOCK
- FULLY OIL FILLED TRANSFORMER TANK INC 1.6mm COOLING FINNS
- TAP SELECTORS 9 POSITION - LOCKABLE IN ANY OPERATING POSITION
- RATING & DIAGRAM PLATE
- OIL LEVEL SIGHT GLASS
- TRANSFORMER LIFTING LUGS
- SUBSTATION LIFTING POINTS
- TRANSFORMER OIL FILL POINT 25 NOM
- OIL DRAIN / SAMPLE VALVE 25 NOM
- PRESSURE RELIEF DEVICE (0.3BAR)
- FIBERGLASS KIOSK - HV & LV COMPARTMENTS IP45 / TRANSFORMER COMPARTMENT IP23 - WITH PAD LOCKABLE 3 POINT LOCKING ON ALL DOORS
- TRANSFORMER VENTILATION
- DOCUMENT HOLDER IN HV & LV COMPARTMENTS (NOT SHOWN)
- OIL CONTAINMENT 100% - INCORPORATED INTO CONCRETE PLINTH
- HV SWITCHGEAR - ABB Safe Link
- LV SWITCHGEAR - AS SPECIFIED
- DM & C CONTROLL BOX
- DM & C BATTERY BOX
- DM & C AERIAL
- ACCESS DOOR - DM&C
- LIFT OFF PANEL- FASTENED FROM INSIDE
- ROXTEC CABLE SEALING ASSY IP67 - FOR TRANSFORMER CABLES
- PREFABRICATED CONCRETE PLINTH
- REMOVABLE SILL - LV & HV END
- REMOVABLE PANEL - HV & LV END

\*SERIAL NUMBER, YEAR OF MANUFACTURE AND IMPEDANCE (3.99% NOM.) STAMPED AFTER TEST

ITEM NUMBER TO BE STAMPED - REFER BOM CONFIGURATION TABLE  
ITEM NUMBER TO BE STAMPED - REFER JOB TRAVELLER



238568\_01R00

SHEET SIZE A3

THIRD ANGLE PROJ.

All Welds to conform to AS 1554 sections 1 to 6, Cat.GP & 2B, unless specified otherwise.

Min Weld Size	Thickness of thinnest part	Min.weld size
≤ 6mm		Thinnest mat. thickness
> 6mm to 8 mm		6 mm
> 10 mm		Thinnest mat. less 2 mm

Butt weld DDT to be "Incomplete penetration butt weld"

TOLERANCE UNLESS OTHERWISE STATED

LINEAR	ANGULAR
1 ±1 (0-2000)	1 ±1°
1 ±3 (>2000)	1.0 ±1°
1.0 ±0.5	1.00 ±0.05°
1.00 ±0.05	

**WILSON TRANSFORMER**  
CO. PTY. LTD.  
ACN 004 216 979

DESCRIPTION: **KIOSK TRANSFORMER 800kVA**

SCALE 1:25      PAGE 1 OF 4      FILE NO. **881-A008-11**

ALL DIMENSIONS ARE IN mm UNLESS OTHERWISE STATED

FINISH: N/A

REV **U**