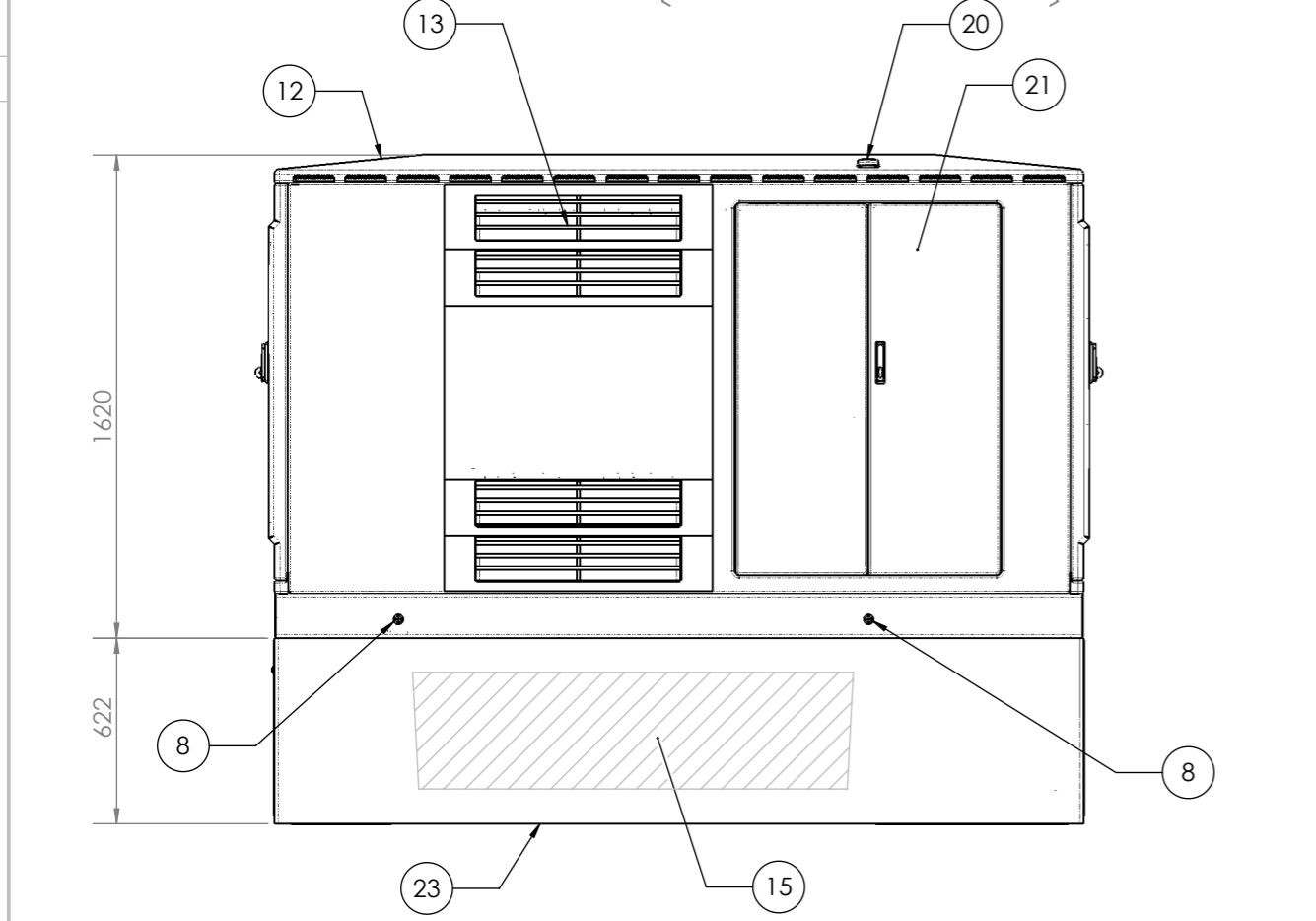
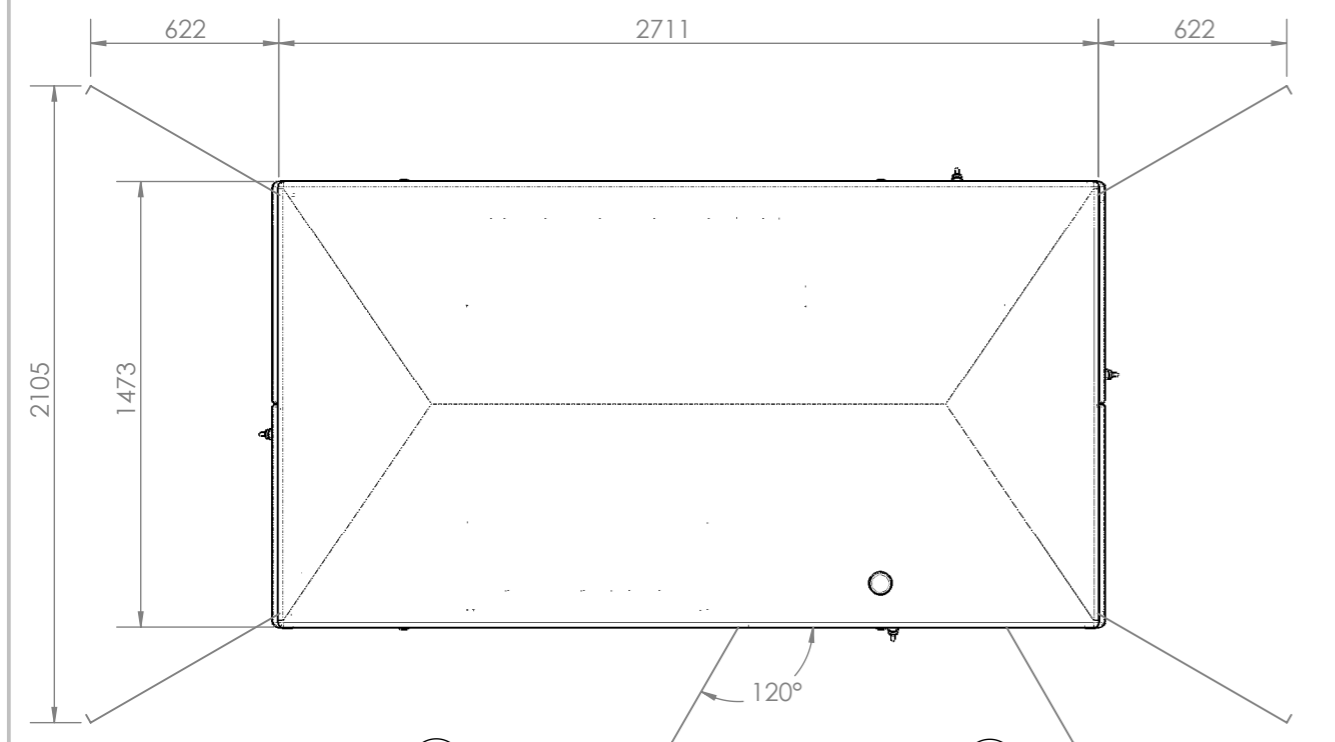


REVISIONS				
REV.	DESCRIPTION	COMPILED BY	APPROVED	DATE
A	Original Issue	G.R.	G.A.C.	2/5/13
I	BOM RE-CONFIGURED TO ACCOMMODATE 881-A008-12 ASSY (NO LV SWITCHGEAR)	G.R.	G.A.C.	27/2/15
J	506-7006P22 REMOVED FROM BOM	G.R.	G.A.C.	21/5/15



TO AS 60076
WTC SERIAL NUMBER
A007

KVA	600	Insul. liquid Oil	INHIBITED
Phase	3	Temp. rise Oil/Wdg	60/65
Frequency	50		
Volts	11000	Untanking mass	1155
(no load)	433	Liquid volume	525
Amps	31.5	Pressure min/max	50/130
LV	800	(kPa abs)	
Vector group	Dyn1	Compliance	HEPS
Insulation level	LV5AC28/AC15	Year of manufacture	
Cooling type	ONAN		
LV Winding	Aluminium	Impedance	%
HV Winding	Aluminium		

ACROSS	HV	POS	%	CONN	LV	ACROSS
A12 B12 C12						a2 b2 c2
	11495	1	104.5	7-6		
	11330	2	103.0	6-8		
	11165	3	101.5	8-5		
	11000	4	100.0	5-9		
	10835	5	98.5	9-4	433	
	10670	6	97.0	4-10		
	10505	7	95.5	10-3		
	10340	8	94.0	3-11		
	10175	9	92.5	11-2		

SUMMARY OF MASSES

TRANSFORMER	2235
KIOSK	473
HV SWITCHGEAR	280
LV SWITCHGEAR	235
MISC	161
TOTAL (EX CONCRETE PLINTH)	3384
CONCRETE PLINTH	3200
TOTAL (INC CONCRETE PLINTH)	6584

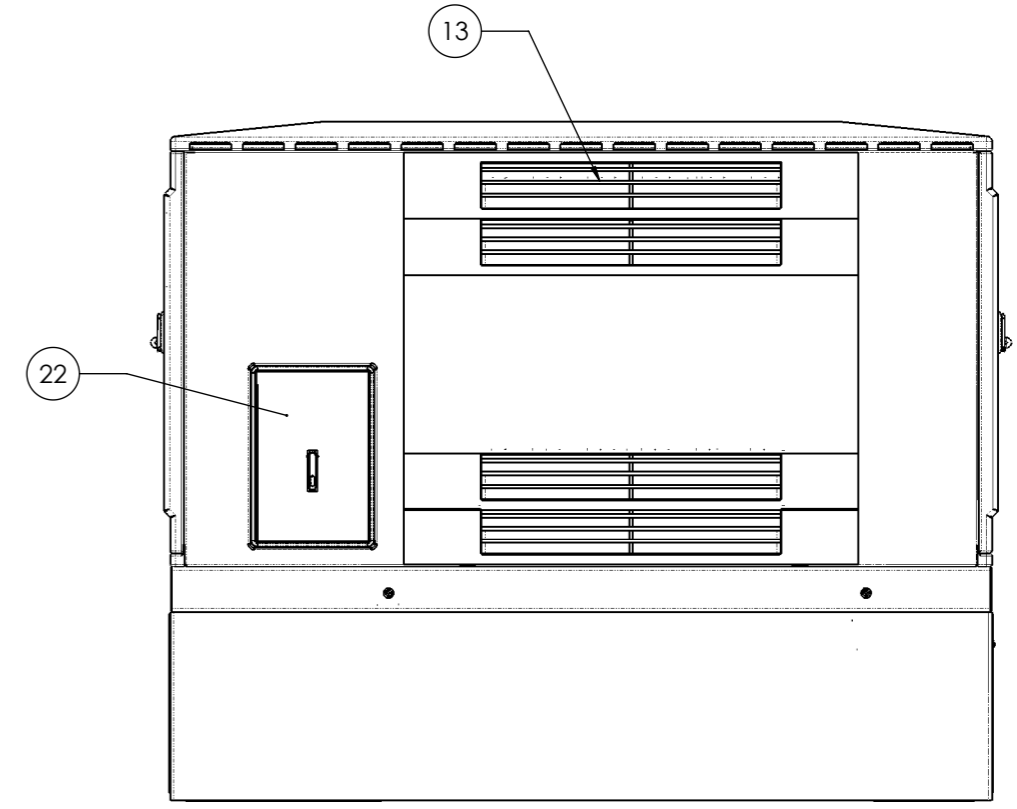
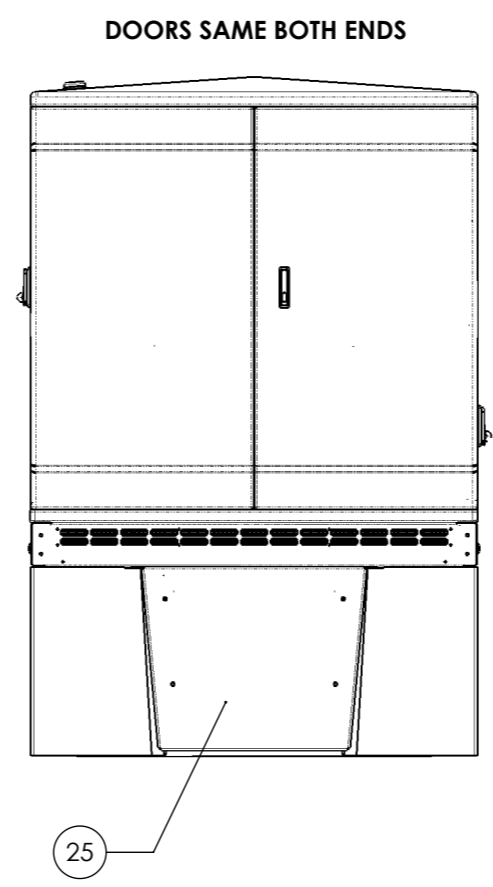
AUSGRID CONTRACT NUMBER	AG2869/11
AUSGRID ITEM NUMBER	
AUSGRID IDENTIFICATION NUMBER	

WARNING:
 1. Off circuit top selector, de-energise before changing taps.
 2. This is a Sealed Transformer
 3. Transformer is completely full of oil - no gas space

721-A007-01/A

1. HV BUSHING WELLS - DEADBREAK 22KV WITH INSERTS
2. LV MONOBLOCK
3. FULLY OIL FILLED TRANSFORMER TANK INC 1.6mm COOLING FINN
4. TAP SELECTORS 9 POSITION - LOCKABLE IN ANY OPERATING POSITION
5. RATING & DIAGRAM PLATE
6. OIL LEVEL SIGHT GLASS
7. TRANSFORMER LIFTING LUGS
8. SUBSTATION LIFTING POINTS
9. TRANSFORMER OIL FILL POINT 25 NOM
10. OIL DRAIN / SAMPLE VALVE 25 NOM
11. PRESSURE RELIEF DEVICE (0.3BAR)
12. FIBERGLASS KIOSK - HV & LV COMPARTMENTS IP45 / TRANSFORMER COMPARTMENT IP23 - WITH PAD LOCKABLE 3 POINT LOCKING ON ALL DOORS
13. TRANSFORMER VENTILATION
14. DOCUMENT HOLDER IN HV & LV COMPARTMENTS (NOT SHOWN)
15. OIL CONTAINMENT 100% - INCORPORATED INTO CONCRETE PLINTH
16. HV SWITCHGEAR - ABB Safe Link
17. LV SWITCHGEAR - AS SPECIFIED
18. DM & C CONTROL BOX
19. DM & C BATTERY BOX
20. DM & C AERIAL
21. ACCESS DOOR - DM&C
22. LIFT OFF PANEL - FASTENED FROM INSIDE
23. PREFABRICATED CONCRETE PLINTH
24. REMOVABLE SILL - LV & HV END
25. REMOVABLE PANEL - HV & LV END

*SERIAL NUMBER, YEAR OF MANUFACTURE AND IMPEDANCE (3.98% NOM.) STAMPED AFTER TEST



238567_01R00

SHEET SIZE A3	All Welds to conform to AS 1554 sections 1 to 6, Cat.GP & 2B, unless specified otherwise. Min Weld Size Thickness of thinnest part Min.weld size ≤ 6mm ≤ 6mm Thinnest mat. thickness > 6mm to 8 mm 6 mm > 10 mm Thinnest mat. less 2 mm Butt weld DDT to be "Incomplete penetration butt weld"	TOLERANCE UNLESS OTHERWISE STATED <table border="1"> <tr> <th>LINEAR</th> <th>ANGULAR</th> </tr> <tr> <td>1 ±1 (0-2000)</td> <td>1 ±1°</td> </tr> <tr> <td>1 ±3 (>2000)</td> <td>1.0 ±1°</td> </tr> <tr> <td>1.0 ±0.5</td> <td>1.00 ±0.05°</td> </tr> <tr> <td>1.00 ±0.05</td> <td></td> </tr> </table>	LINEAR	ANGULAR	1 ±1 (0-2000)	1 ±1°	1 ±3 (>2000)	1.0 ±1°	1.0 ±0.5	1.00 ±0.05°	1.00 ±0.05		<p>WILSON TRANSFORMER CO. PTY. LTD. ACN 004 216 979</p>	DESCRIPTION <h2 style="text-align: center;">KIOSK TRANSFORMER 600kVA</h2> <p>SCALE 1:25 PAGE 1 OF 4 FILE NO. 881-A007-11</p> <p style="text-align: center;">ALL DIMENSIONS ARE IN mm UNLESS OTHERWISE STATED</p>	FINISH: N/A REV J
LINEAR	ANGULAR														
1 ±1 (0-2000)	1 ±1°														
1 ±3 (>2000)	1.0 ±1°														
1.0 ±0.5	1.00 ±0.05°														
1.00 ±0.05															