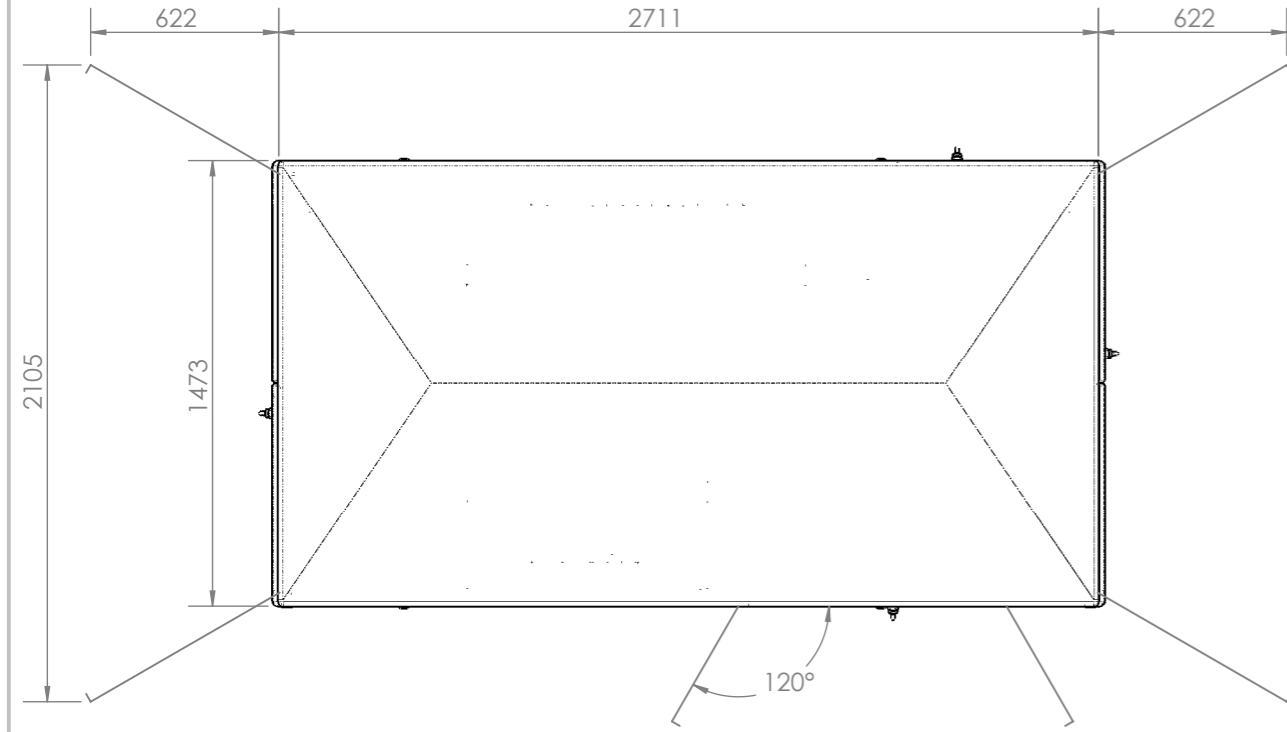


REVISIONS				
REV.	DESCRIPTION	COMPILED BY	APPROVED	DATE
A	Original Issue	G.R.	G.A.C.	9/4/13
H	BOM RE-CONFIGURED TO ACCOMMODATE 881-A006-12 ASSEMBLY (NO LV SWITCHGEAR)	G.R.	G.A.C.	26/2/15
I	506-7006P22 REMOVED FROM BOM	G.R.	G.A.C.	21/5/15



**WILSON TRANSFORMER** TO AS 60076  
WTC SERIAL NUMBER **A006**

KVA	400	Insul. liquid Oil	°C	INHIBITED
Phase	3	Temp. rise Oil/Wdg	°C	60/65
Frequency	50			
Volts (no load)	11000	Untanking mass	kg	875
Amps (no load)	433	Liquid volume	l	525
Amps (full load)	21	Pressure min/max	kg/cm <sup>2</sup>	50/130
Vector group	Dyn1	Compliance		HEPS
Insulation level	U95AC2B/AC15	Year of manufacture		
Cooling type	ONAN	Impedance	%	
LV Winding	Aluminium			
HV Winding	Aluminium			

Plan of tank

ACROSS	HV	POS	%	CONN	LV	ACROSS
A12 B12 C12	11495	1	104.5	7-6		a2 b2 c2
	11330	2	103.0	6-8		
	11165	3	101.5	8-5		
	11000	4	100.0	5-9		
	10835	5	98.5	9-4	433	
	10670	6	97.0	4-10		
	10505	7	95.5	10-3		
	10340	8	94.0	3-11		
	10175	9	92.5	11-2		

**SUMMARY OF MASSES**

TRANSFORMER	1845
KIOSK	473
HV SWITCHGEAR	280
LV SWITCHGEAR	235
MISC	141
TOTAL (EX CONCRETE PLINTH)	2974
CONCRETE PLINTH	3200
TOTAL (INC CONCRETE PLINTH)	6174

AUSGRID CONTRACT NUMBER: AG2869/11  
AUSGRID ITEM NUMBER:  
AUSGRID IDENTIFICATION NUMBER:

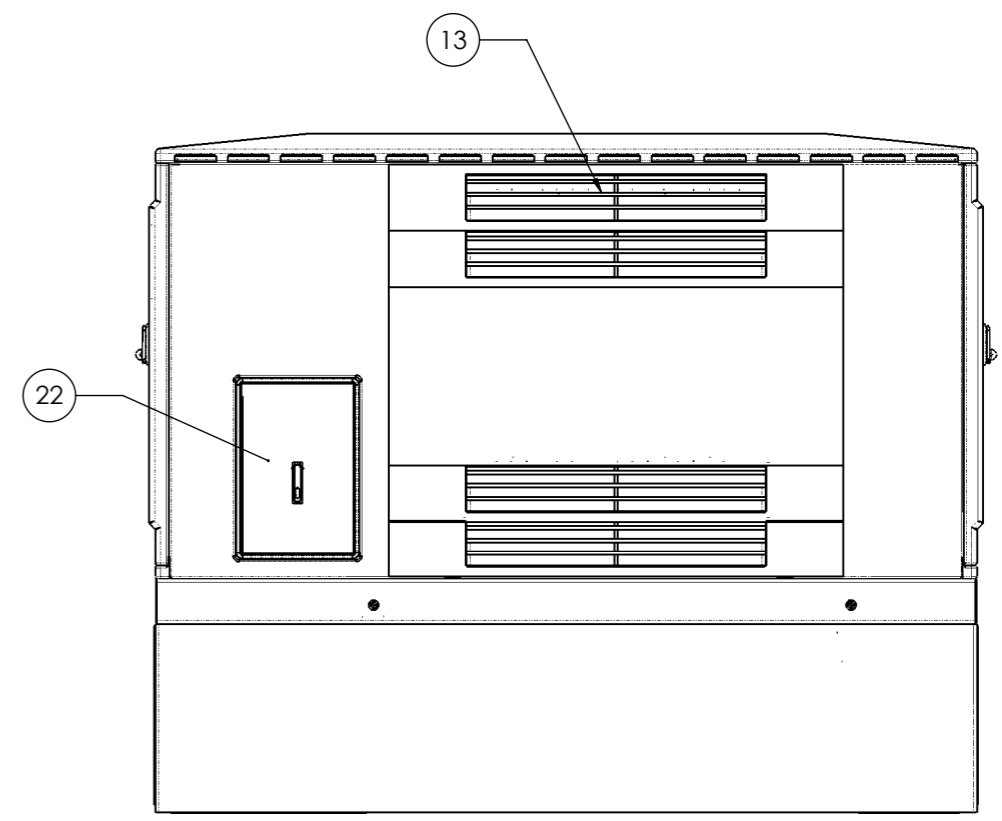
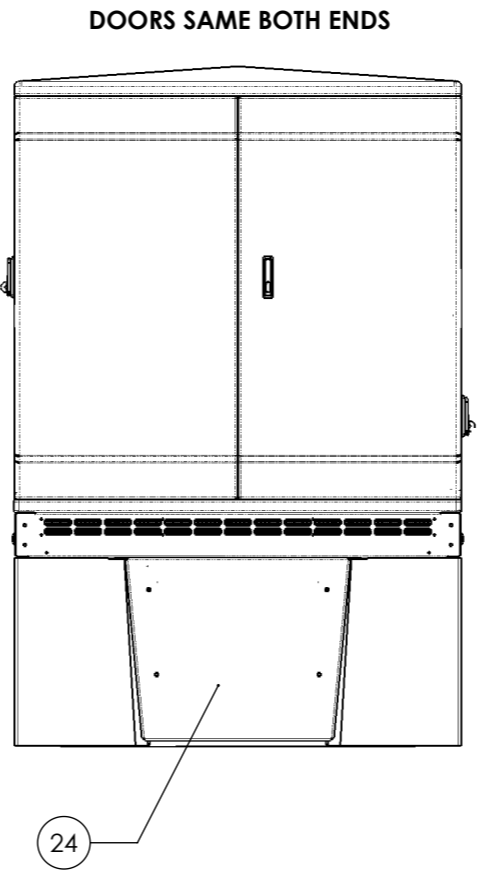
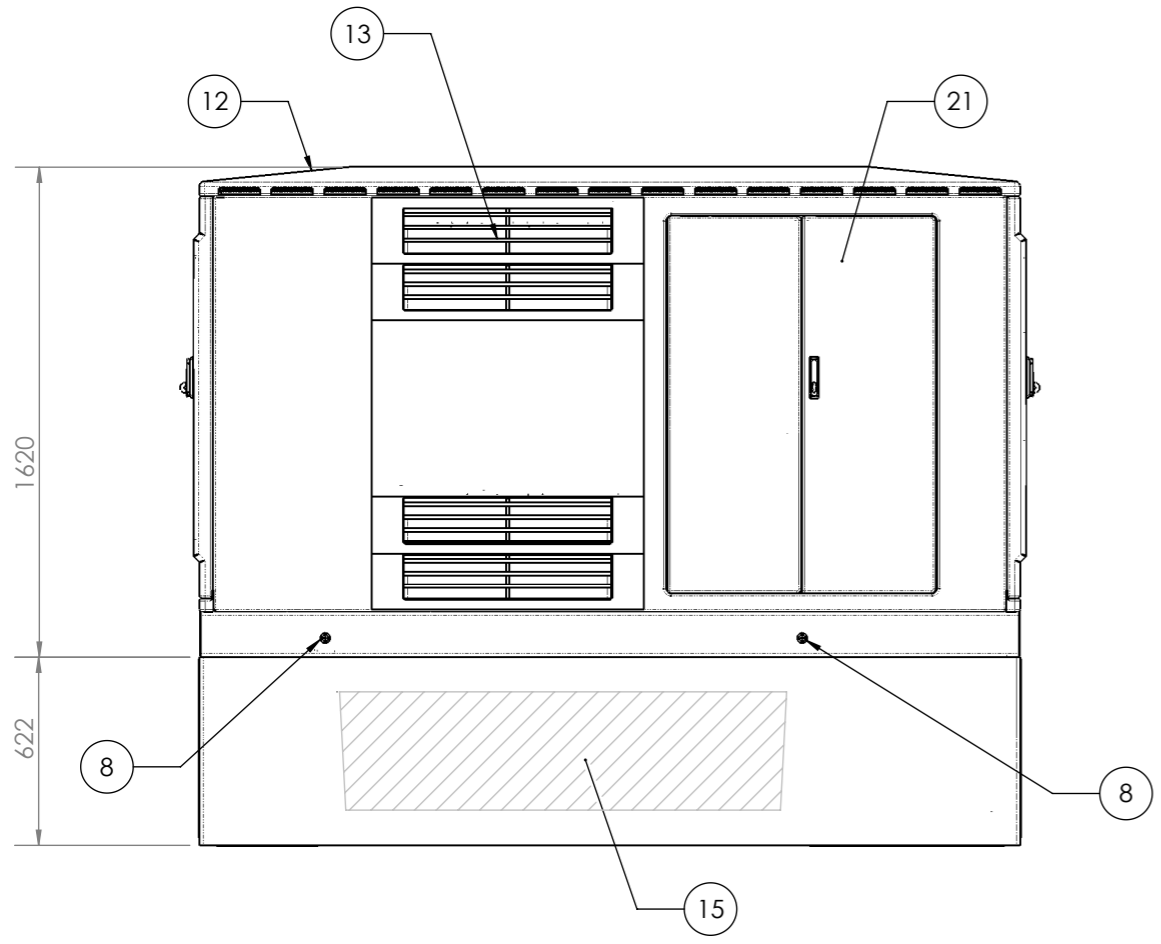
**WARNING:**  
1. Off circuit tap selector, de-energise before changing taps.  
2. This is a Sealed Transformer  
3. Transformer is completely full of oil - no gas space

721-A006-01/A

- HV BUSHING WELLS - DEADBREAK 22KV WITH INSERTS
- LV MONOBLOCK
- FULLY OIL FILLED TRANSFORMER TANK INC 1.6mm COOLING FINNS
- TAP SELECTORS 9 POSITION - LOCKABLE IN ANY OPERATING POSITION
- RATING & DIAGRAM PLATE
- OIL LEVEL SIGHT GLASS
- TRANSFORMER LIFTING LUGS
- SUBSTATION LIFTING POINTS
- TRANSFORMER OIL FILL POINT 25 NOM
- OIL DRAIN / SAMPLE VALVE 25 NOM
- PRESSURE RELIEF DEVICE (0.3BAR)
- FIBERGLASS KIOSK - HV & LV COMPARTMENTS IP45 / TRANSFORMER COMPARTMENT IP23 - WITH PAD LOCKABLE 3 POINT LOCKING ON ALL DOORS
- TRANSFORMER VENTILATION
- DOCUMENT HOLDER IN HV & LV COMPARTMENTS (NOT SHOWN)
- OIL CONTAINMENT 100% - INCORPORATED INTO CONCRETE PLINTH
- HV SWITCHGEAR - ABB Safe Link
- LV SWITCHGEAR - AS SPECIFIED
- DM & C CONTROL BOX
- DM & C BATTERY BOX
- DM & C AERIAL
- ACCESS DOOR - DM&C
- LIFT OFF PANEL - FASTENED FROM INSIDE
- REMOVABLE SILL - LV & HV END
- REMOVABLE PANEL - HV & LV END

\*SERIAL NUMBER, YEAR OF MANUFACTURE AND IMPEDANCE (3.96% NOM.) STAMPED AFTER TEST

ITEM NUMBER TO BE STAMPED - REFER CONFIGURATION TABLE  
ID NUMBER TO BE STAMPED - REFER JOB TRAVELLER



**238566\_01R00**

SHEET SIZE A3	<b>THIRD ANGLE PROJ.</b> 	All Welds to conform to AS 1554 sections 1 to 6, Cat.GP & 2B, unless specified otherwise. <b>Min Weld Size</b> <b>Thickness of thinnest part</b> <b>Min. weld size</b> ≤ 6mm    > 6mm to 8 mm    Thinnest mat. thickness > 6mm to 8 mm    6 mm > 10 mm    Thinnest mat. less 2 mm Butt weld DDT to be "Incomplete penetration butt weld"	<b>TOLERANCE UNLESS OTHERWISE STATED</b> <b>LINEAR</b> <b>ANGULAR</b> 1 ±1 (0-2000)    1 ±1° 1 ±3 (>2000)    1.0 ±1° 1.0 ±0.5    1.00 ±0.05° 1.00 ±0.05	<b>WILSON TRANSFORMER CO. PTY. LTD.</b> ACN 004 216 979	DESCRIPTION	<b>KIOSK TRANSFORMER 400kVA</b> SCALE 1:25    PAGE 1 OF 4    FILE NO. <b>881-A006-11</b>	REV
					ALL DIMENSIONS ARE IN mm UNLESS OTHERWISE STATED		FINISH: N/A