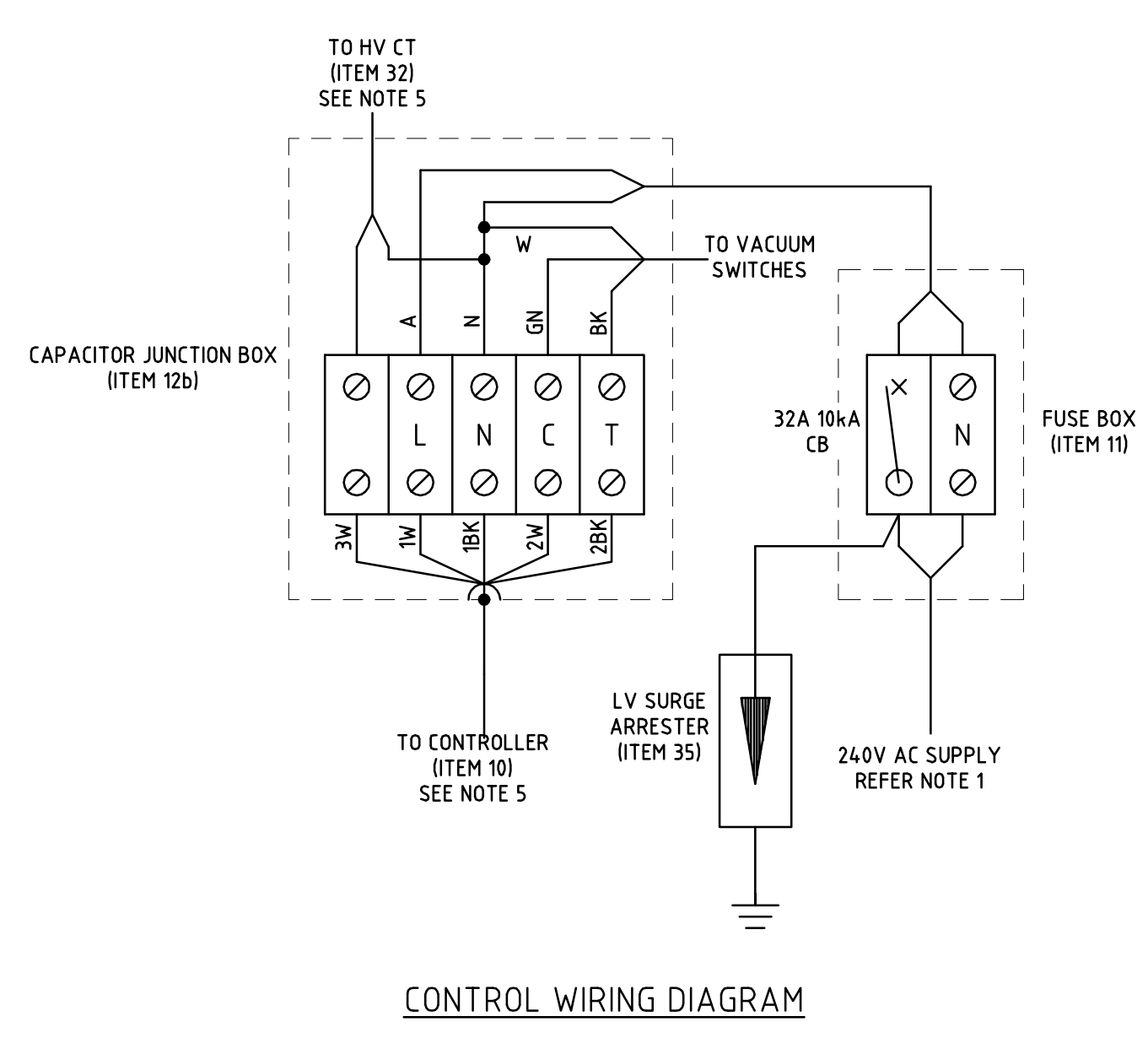
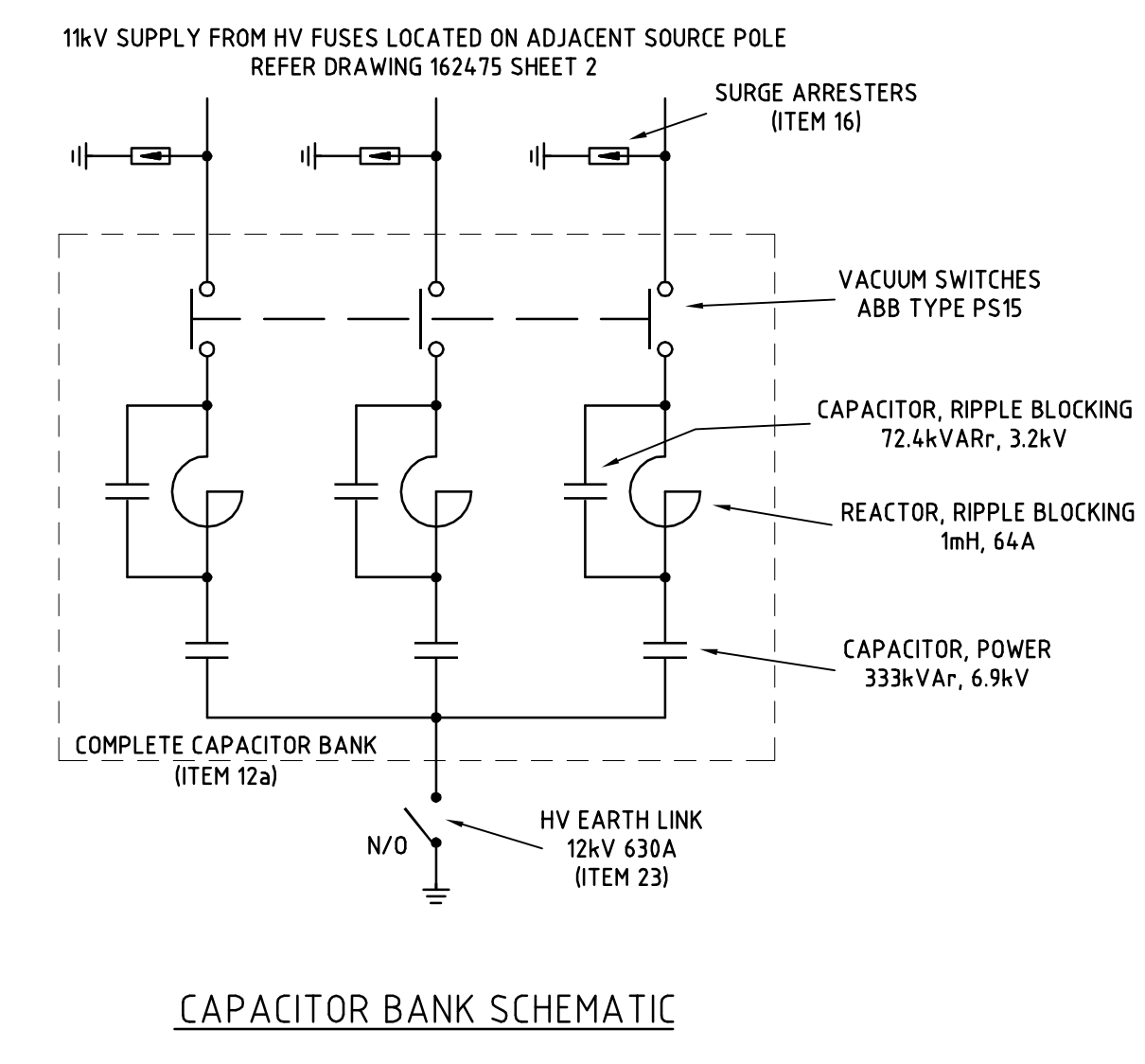
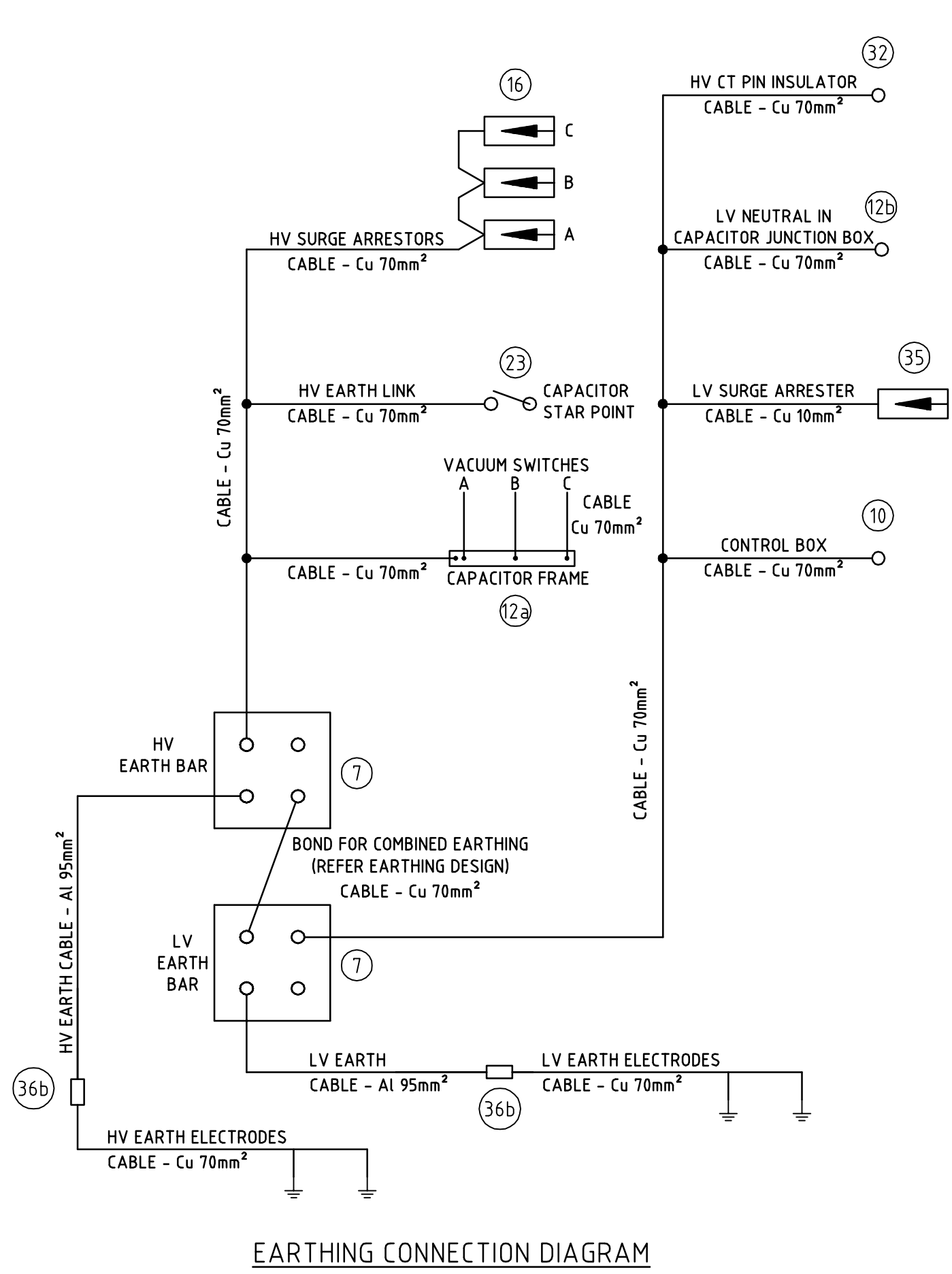


AN EARTHING DESIGN MUST BE UNDERTAKEN FOR EACH SITE. THE EARTHING SHOWN ON THIS DRAWING IS INDICATIVE ONLY.



- NOTES**
1. INSTALL A 32A 10kA CIRCUIT BREAKER IN THE ACTIVE PHASE OF THE 240V SUPPLY WHICH IS TO BE TAKEN FROM EITHER THE LV LINES ATTACHED TO THE CAPACITOR POLE OR AN ADJACENT POLE TRANSFORMER. CONNECT THE SURGE ARRESTER (ITEM 35) BETWEEN EARTH AND THE SOURCE SIDE OF THE CIRCUIT BREAKER. REFER TO THE CONTROL WIRING DIAGRAM FOR FURTHER DETAILS.
 2. CONNECT THE BOTTOM OF THE LINK (ITEM 23) TO THE CAPACITOR STAR POINT AND THE TOP OF THE LINK TO HV EARTH.
 3. THIS DRAWING CONSISTS OF TWO SHEETS WHICH ARE TO BE READ IN CONJUNCTION WITH EACH OTHER.
 4. 95mm² ALUMINIUM EARTH CONDUCTORS SHALL BE USED FROM THE BOTTOM EARTH BAR TO 300mm ABOVE GROUND WHERE 70mm² COPPER EARTH CONDUCTORS WILL BE EXTENDED VIA BIMETALLIC LINKS TO THE EARTH ELECTRODES.
 5. THE EARTH SCREENS ON THE HV CT (ITEM 25) AND CONTROL CABLE (ITEM 37) MUST BE GROUNDED AT ONE END ONLY. DO NOT GROUND THESE CABLE SCREENS AT THE CAPACITOR JUNCTION BOX.

REFERENCE DRAWINGS	
11kV POLE MOUNTED CAPACITORS HV DROP OUT FUSE POLE & GENERAL ARRANGEMENT	162475 SHEET 2
ABB 1MVAR 12kV POLE MOUNTED CAPACITOR BANK WITH RIPPLE BLOCKING	166885

- IMPORTANT**
- HV EARTH LINK (ITEM 23) IS TO BE OPEN WHEN EQUIPMENT IS IN SERVICE
 - HV EARTH LINK (ITEM 23) IS TO BE CLOSED BY OPERATOR ONLY DURING EQUIPMENT ISOLATION AND EARTHING OPERATIONS.

ITEM	DESCRIPTION	STOCK CODE
1	POLE - WOOD 12.5m x 12.0kN	176966
2	ELECTRODE - DRIVEN EARTH, Ø15 x 1800mm	H31631
3	COUPLER - EARTH ELECTRODE, TO SUIT Ø15 ROD	H31649
4	CONNECTOR TO SUIT Ø15 EARTH ROD	H31699
5a	CONDUCTOR - 19/2.16 BLACK PVC INSULATED HD (70mm² EARTH)	60111
5b	CONDUCTOR - SINGLE CORE OF 95mm² ABC	
6	COVER STRIP - 150mm WIDE	151100
7	LINK EARTH BAR FOR POLE SUBSTATIONS	177069
8	PVC COVER STRIP TROUGHING FOR EARTH CABLE	157552
9	POLE STEP	H17720
10	CONTROL BOX FOR CAPACITORS	179988
11	FUSE BOX FOR AC SUPPLY TO CONTROL BOX	DIRECT PURCHASE
12a	CAPACITOR BANK	SUPPLIED
12b	CAPACITOR JUNCTION BOX	DIRECT PURCHASE
13	CABLE - 11kV 35mm² Cu LDPE INSULATED	H14578
14	CROSSARM - WOOD 2400mm x 100mm x 100mm	71589
15	BRACE - 720mm x 38mm x 38mm x 5mm GALVANISED ANGLE	99119
16	SURGE ARRESTERS - 9kV 10kA POLYMERIC	111948
17	CROSSARM - WOOD 2400mm x 150mm x 100mm	156083
18	INSULATOR - LONGROD 22kV	150375
19	PLATE, TWISTED, GALV 150mm x 50mm x 6mm	176901
20	CLAMP SUSPENSION LV	H13472
21	LUG TO SUIT 35mm² Cu LDPE CABLE	H125260
22	EYEBOLT - M20 x 200mm GALVANISED	175567
23	HV EARTH LINK - 12/24kV 630A	58750
24	NUT AND BOLT - M20 GALVANISED TO SUIT POLE	
25	HV CT SCREENED 2 CORE CABLE WITH CONNECTOR (9.1M LENGTH) S&C CAT 007-000761-04	DIRECT PURCHASE
26	BOLT - M16 x 40mm HEX STAINLESS STEEL	H38413
27	NUT - M16 NYLOC STAINLESS STEEL	177122
28	BOLT - M12 x 90mm GALVANISED COACH	50443
29	NUT AND BOLT - M16 x 130mm GALVANISED HEX	46805
30	PARALLEL GROOVE CLAMP - 2 BOLT	144568
31	SPLIT BOLT CLAMP	H18815
32	HV CT WITH PIN INSULATOR	179987
33	CT EARTH TAG	DETAIL A
34	INSULATOR - 11kV PIN	75705
35	LV SURGE ARRESTER	H31893
36a	BI-METALLIC CRIMP LUG FOR 95mm² AL CABLE	58743
36b	BI-METALLIC CRIMP LUG FOR 95mm² AL TO 70mm² CABLE	H107797
37	CONTROL CABLE SCREENED 7 CORE WITH CONNECTOR (10.6M LONG) S&C CAT 007-001138-01	DIRECT PURCHASE