

NOTES

GENERAL

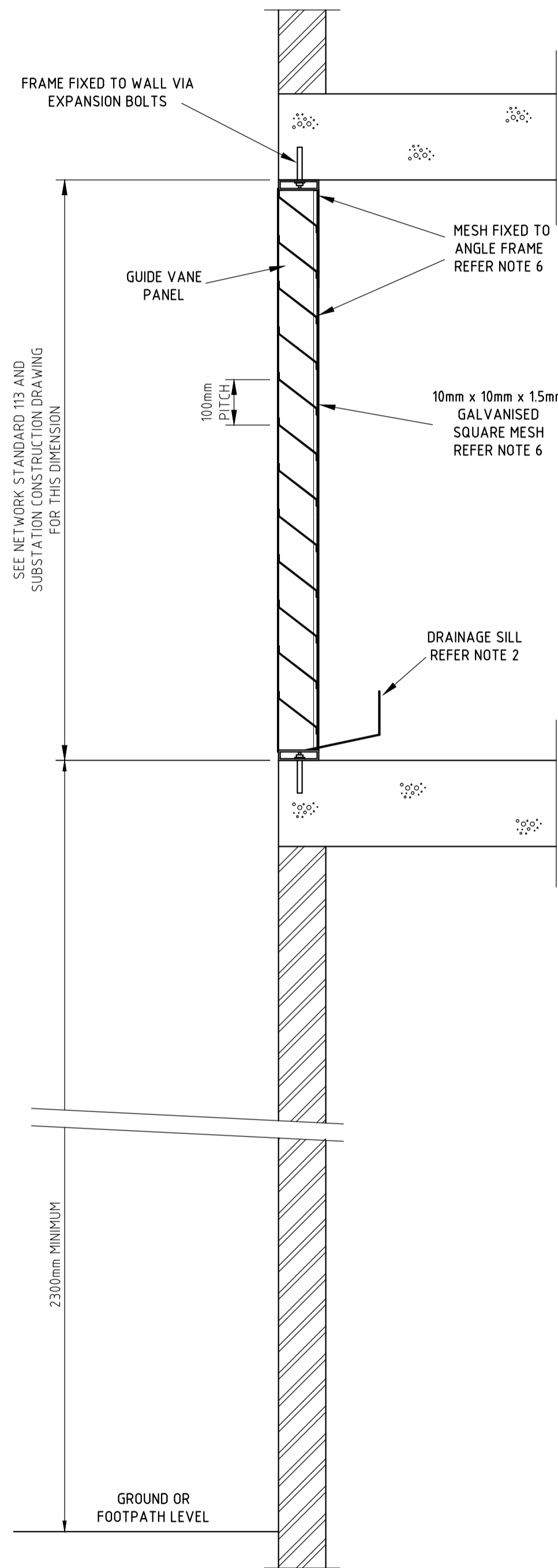
1. THIS DRAWING IS TO BE READ IN CONJUNCTION WITH NETWORK STANDARDS 113 AND 114. PARTICULAR ATTENTION IS TO BE GIVEN TO ENSURE COMPLIANCE WITH THE SPECIFIED VENTILATION DUCT OR OPENING SIZE.

LOUVRE AND GUIDE VANE FRAME CONSTRUCTION

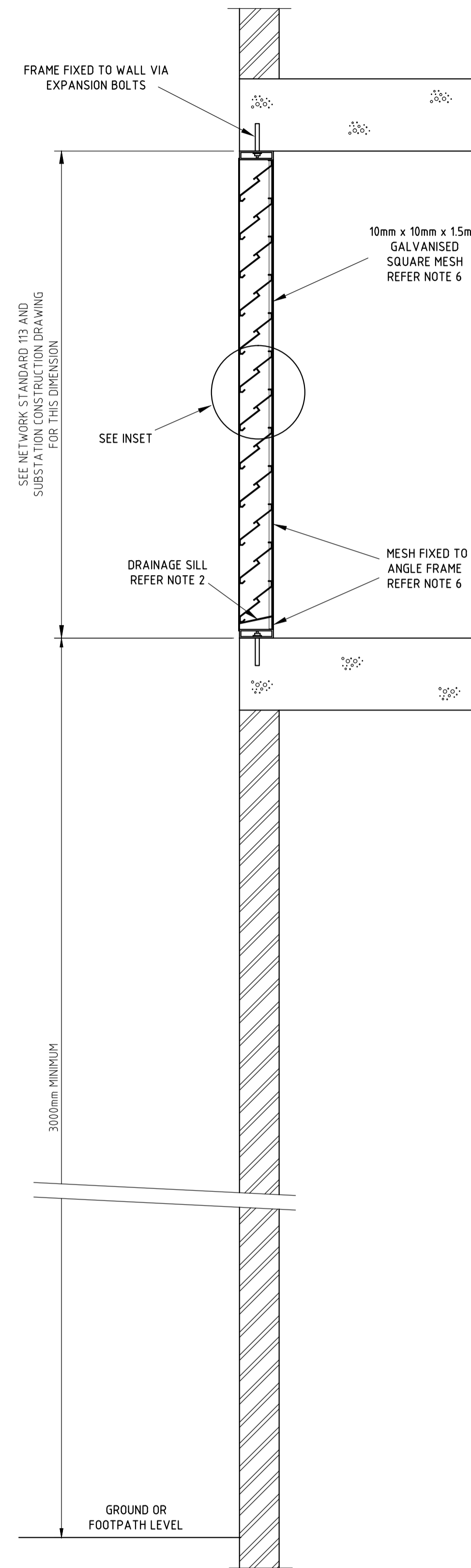
- LOUVRED PANELS AND GUIDE VANES ARE TO BE CONSTRUCTED TO PREVENT WATER INGRESS INTO VENTILATION DUCTS. A DRAINAGE SILL IS TO BE FITTED TO ALL LOUVRE AND GUIDE VANE PANELS.
- ALL LOUVRED AND GUIDE VANE PANELS ARE TO BE CONSTRUCTED ENTIRELY OF ALUMINIUM AND BE FREE OF SHARP PROTRUSIONS. ALL FRAME JOINTS ARE TO BE WELDED.
- THE EFFICIENCY OF THE LOUVRED AND GUIDE VANE PANELS SHALL NOT CAUSE A REDUCTION IN NET AREA OF MORE THAN 35%. IN THE EVENT OF THE NET REDUCTION IN AREA BEING GREATER THAN 35%, THE VENTILATION SHAFT AND LOUVRED OR GUIDE VANE PANEL MUST BE ENLARGED TO MAINTAIN THE VENTILATION DUCT SIZE SPECIFIED ON THE SUBSTATION LAYOUT DRAWING AND NETWORK STANDARD 113.
- ALL ALUMINIUM PARTS OF THE LOUVRED AND GUIDE VANE PANEL AND FRAME SHALL BE GIVEN A GRADE A COATING (20 MICRONS) OF ANODISING, FINISHED WITH ONE COAT OF CLEAR METHACRYLATE LACQUER OR CAN BE POWDER COATED WITH A POLYESTER POWDER FINISH TO AS3715 AFTER PRE-TREATING TO AS1627.4. IN BOTH CASES THE FINISH COLOUR IS TO SUIT THE BUILDING REQUIREMENTS.
- ALL LOUVRED AND GUIDE VANE PANELS SHALL HAVE A FRAME OF ALUMINIUM ANGLE FIXED TO THE INSIDE OF THE PANEL FRAME FOR SECURE ATTACHMENT OF ONE LAYER OF 10mm x 10mm x 1.5mm GALVANISED SQUARE MESH. THE MESH IS TO BE FIXED AT APPROXIMATELY 300mm CENTRES TO THE ANGLE FRAME. THE MESH SHALL NOT BE ATTACHED TO THE LOUVRES OR GUIDE VANES. TO PREVENT EXCESS MESH FLEXING, PANELS OVER 1500mm WIDE REQUIRE MESH TO BE FIXED TO A VERTICAL SECTION FITTED ALONG THE CENTRE LINE OF THE PANEL. VENTILATION DUCT OPENINGS WHICH HAVE GUIDE VANES ARE REQUIRED TO HAVE A WEATHERPROOF LOUVRE PANEL DIRECTLY BEHIND THE GUIDE VANE PANEL BUT THIS LOUVRE PANEL DOES NOT REQUIRE MESH.

VENTILATION OPENINGS

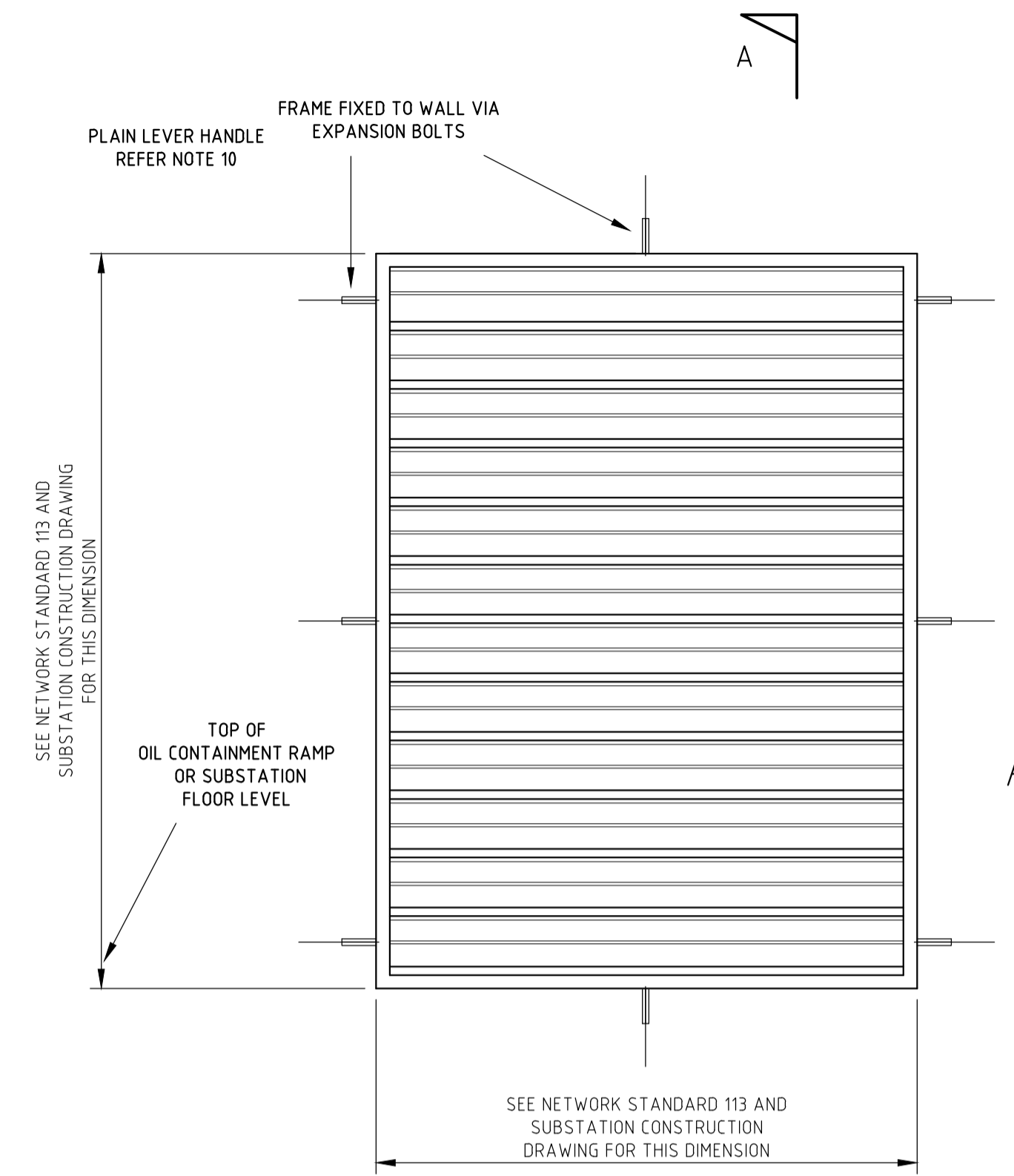
7. THE BUILDER SHALL ENSURE THE MASONRY OPENING IS SIZED TO ALLOW FOR COMPLETE LOUVRE OR GUIDE VANE PANEL AND FRAME ARRANGEMENT, NOTING THAT VENTILATION DUCT OR OPENING SIZE SPECIFIED ON THE SUBSTATION LAYOUT DRAWING AND IN NETWORK STANDARD 113 MUST BE MET.



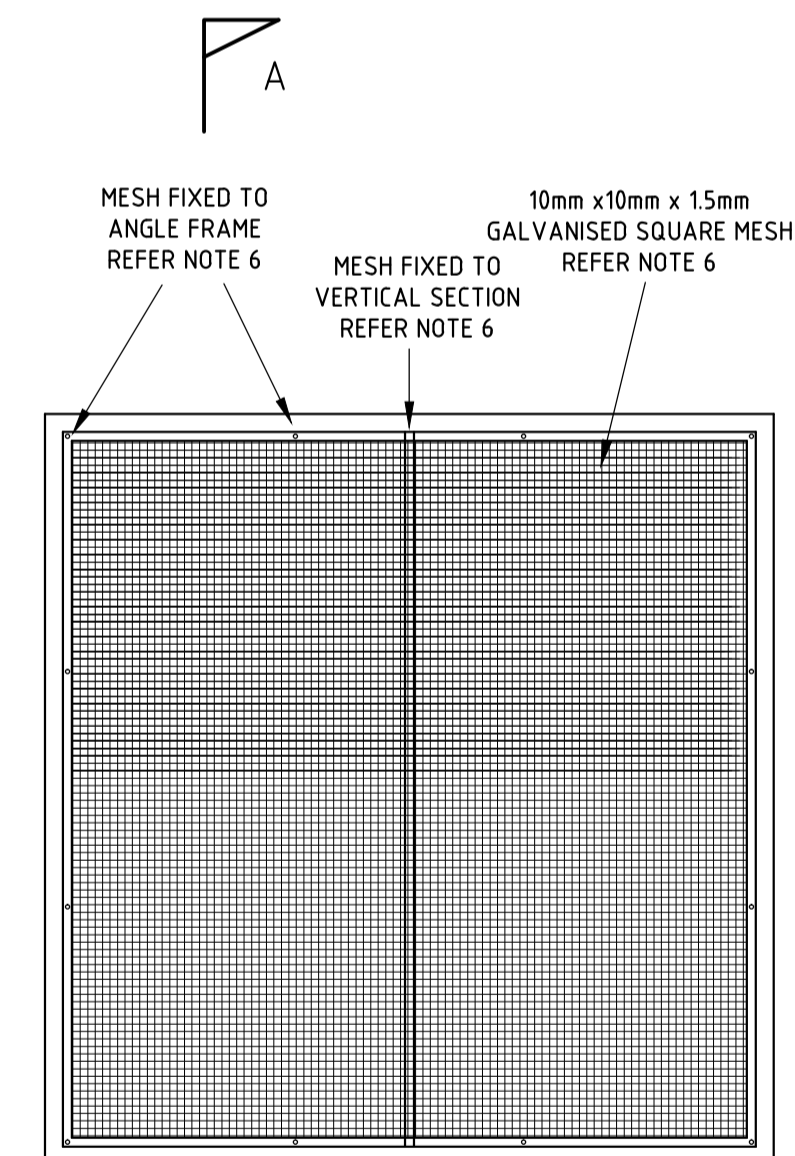
SECTION A-A
GUIDE VANE PANEL
SCALE 1:10



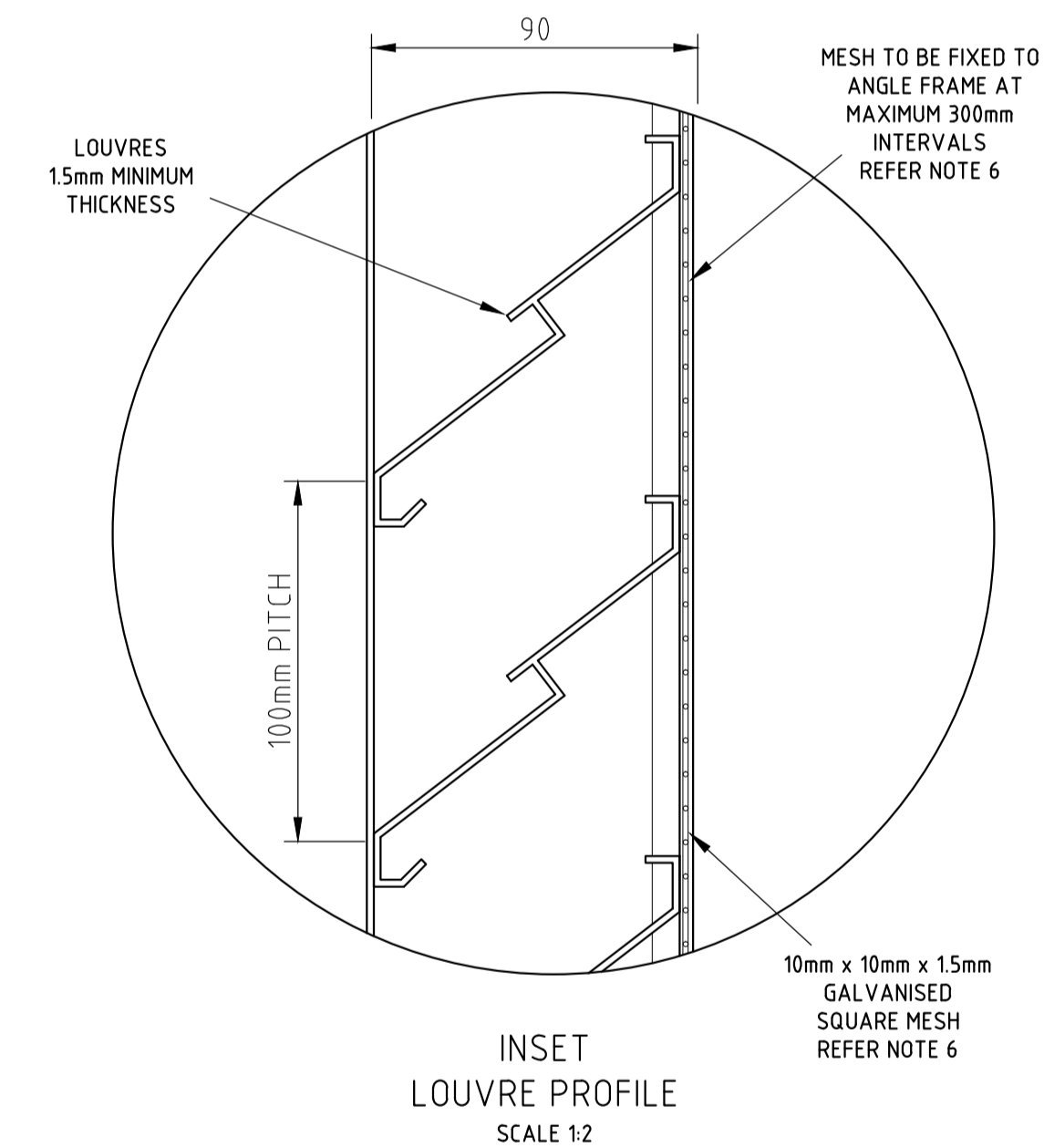
SECTION A-A
LOUVRED PANEL
SCALE 1:10



TYPICAL FRONT ELEVATION
LOUVRED AND GUIDE VANE PANELS
SCALE 1:10



TYPICAL REAR ELEVATION
SHOWING MESH FIXING
SCALE 1:10



INSET
LOUVRE PROFILE
SCALE 1:2

CAD DRAWING DO NOT MANUALLY AMEND A M E N D M E N T S	4. NEW DRAWING MADE. DETAILS ALIGNED WITH NETWORK STANDARDS LOUVRED PANELS BEHIND GUIDE VANES DELETED. DETAIL OF SQUARE MESH REVISED.	NOTES REVISED. PN 02-2013-0-2011 P.JARVIS 14.4.13 CHECKED: P.TURRIN APPROVED: P.TURRIN	5. MESH FIXING ALTERED TO ALIGN WITH LOUVRED DOOR CONSTRUCTION. NOTE 6 UPDATED. P.JARVIS 23.8.17 CHECKED: P.TURRIN APPROVED: D.GRECV
---	---	--	--

CONSTRUCTION



SCALE	AS SHOWN
DESIGNED	DNE/PWJ
DRAWN	PCW
CHECKED	JH
APPROVED	21.7.95
DATE	
PROJECT NUMBER	
PROJTRAK NUMBER	

DISTRIBUTION SUBSTATIONS
DETAILS OF STANDARD WEATHERPROOF
LOUVRED AND GUIDE VANE PANELS
FOR VENTILATION DUCTS

SIZE	DRAWING No	SHEET	AMP
A1	48009	1	5