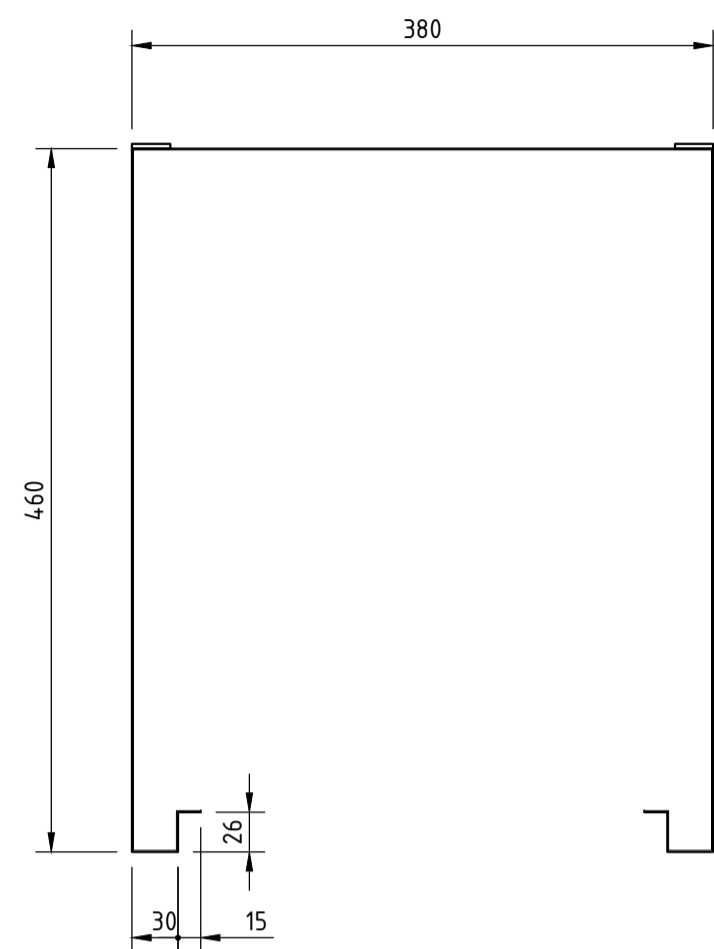
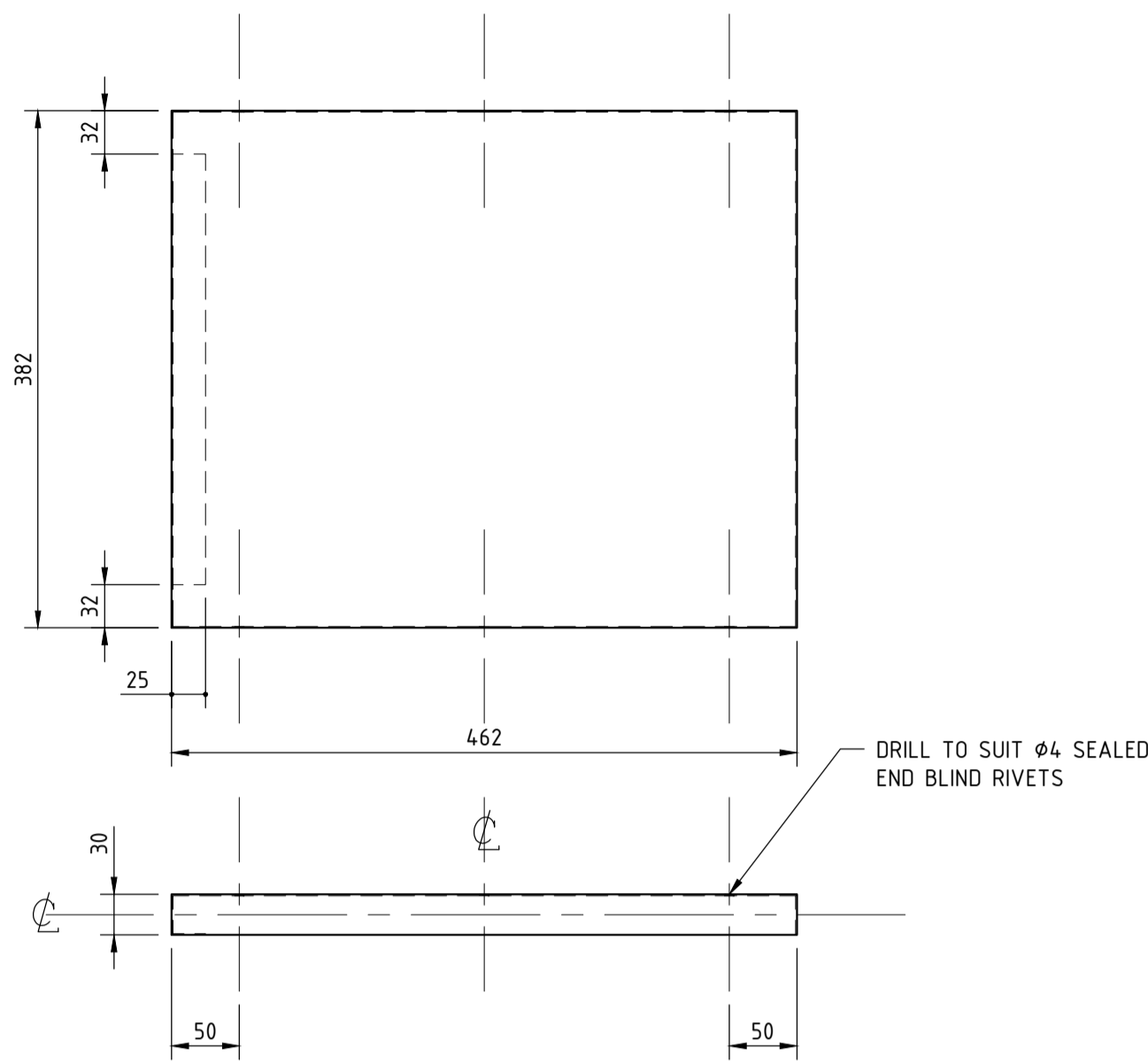


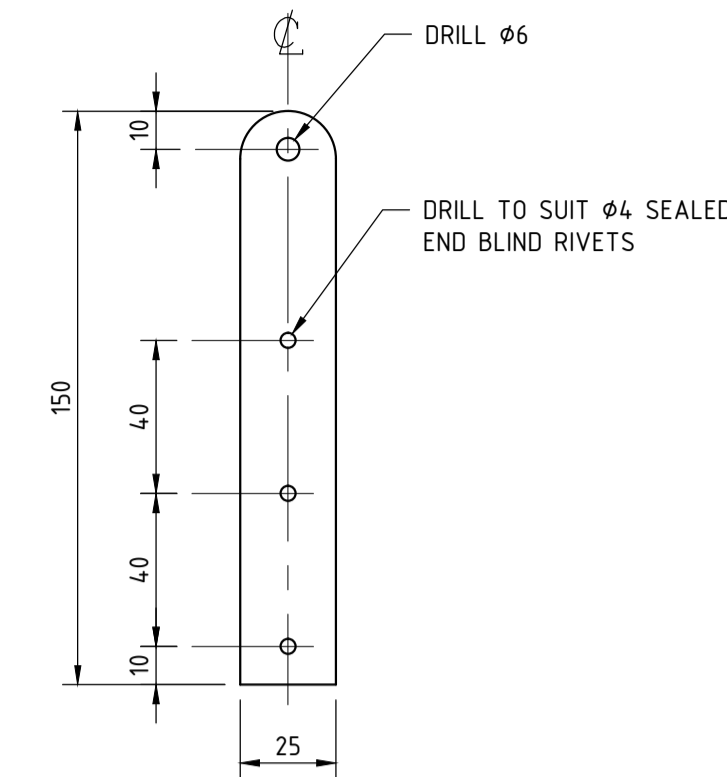
ARRANGEMENT



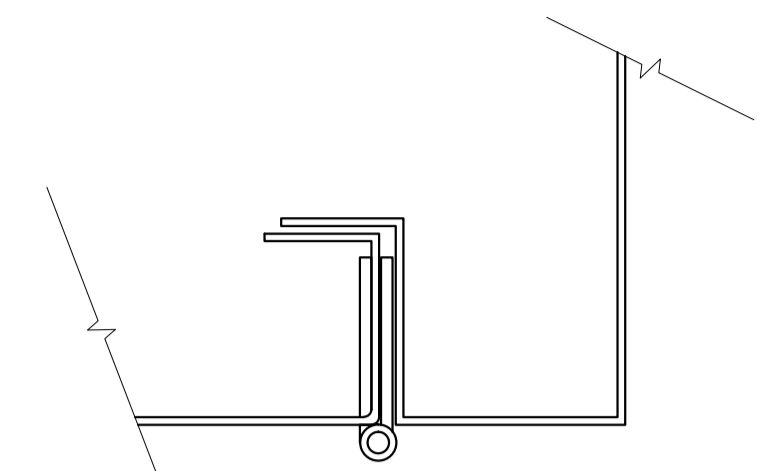
TOP VIEW



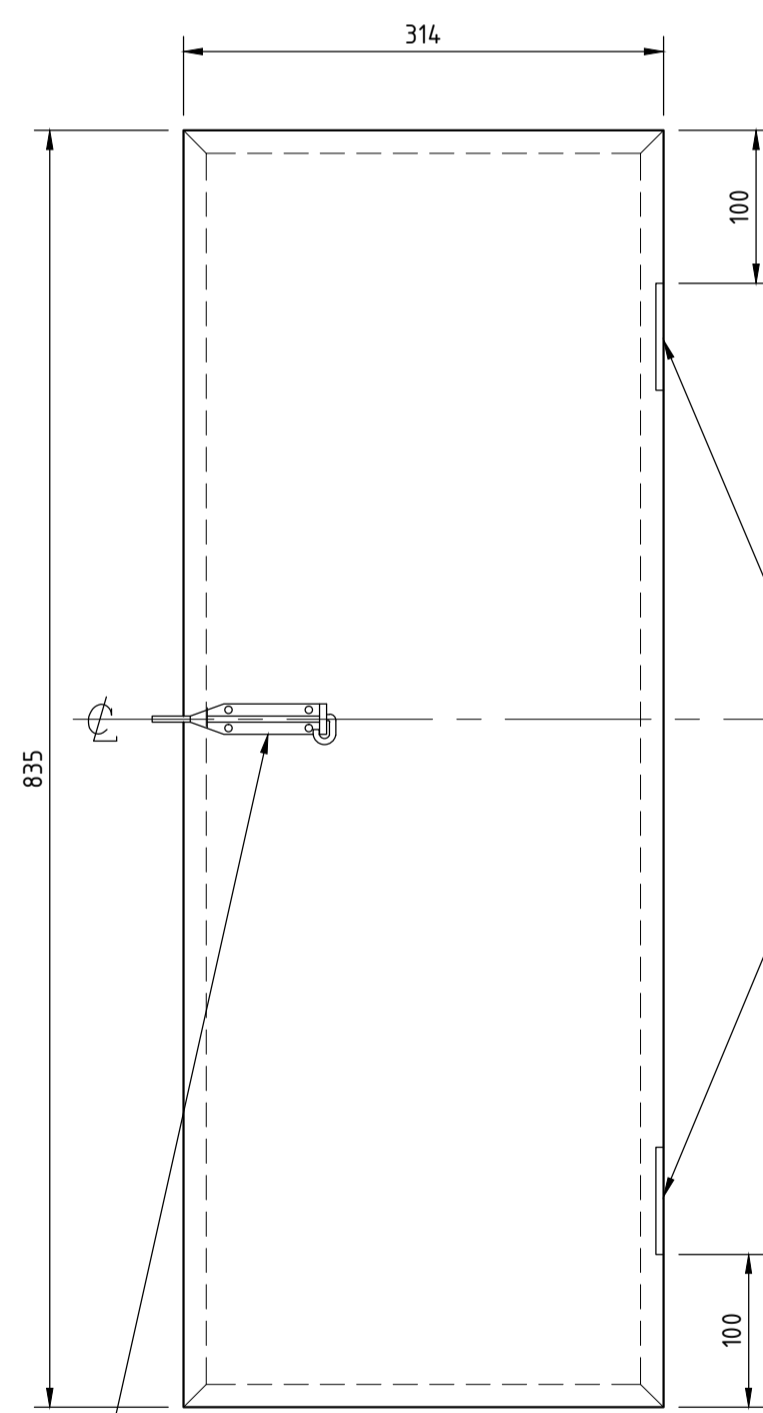
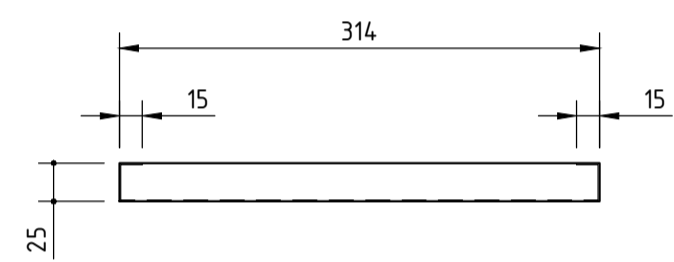
LID



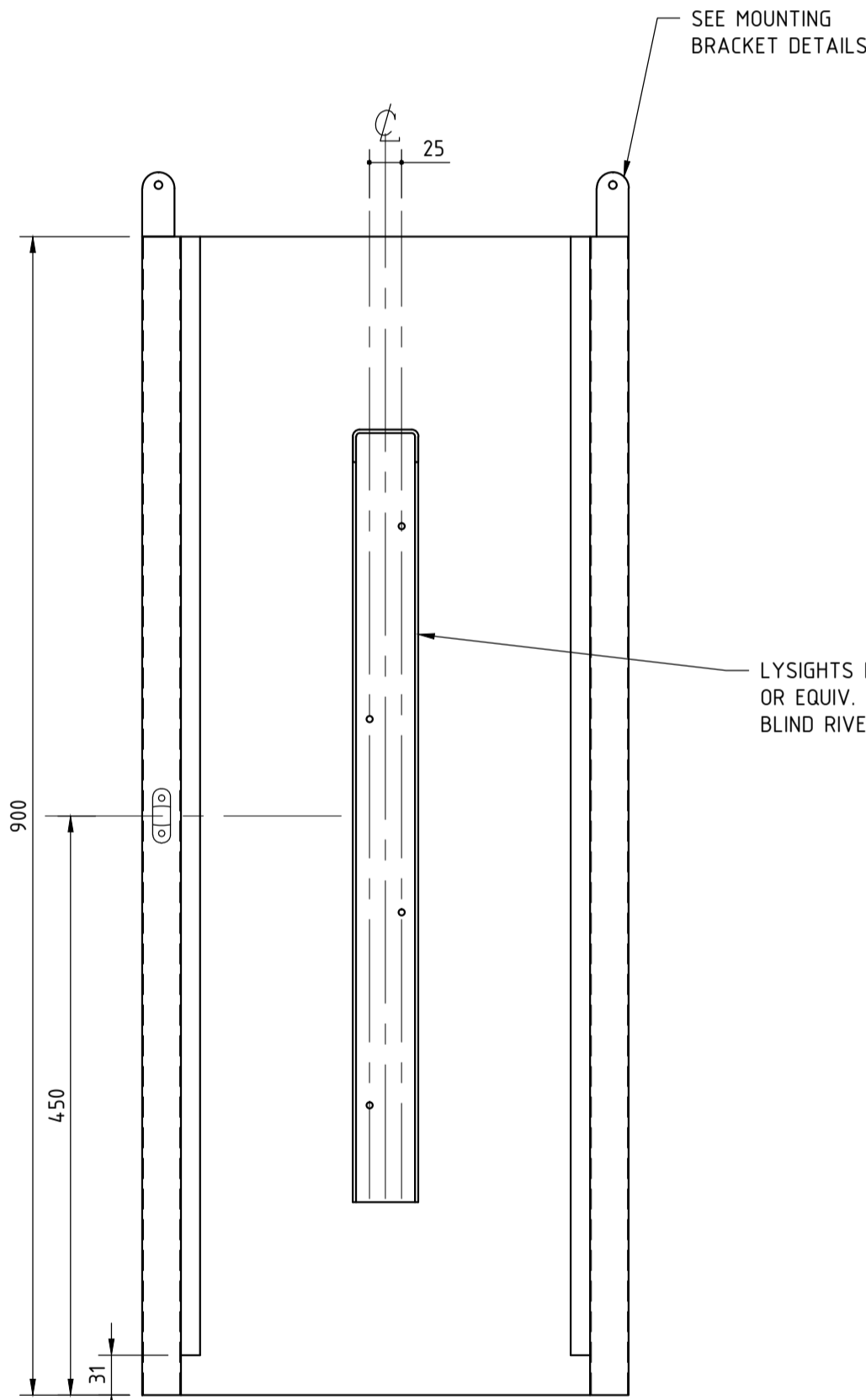
MOUNTING BRACKET
MATERIAL: 25x3x150 FLAT



HINGE MOUNTING DETAIL

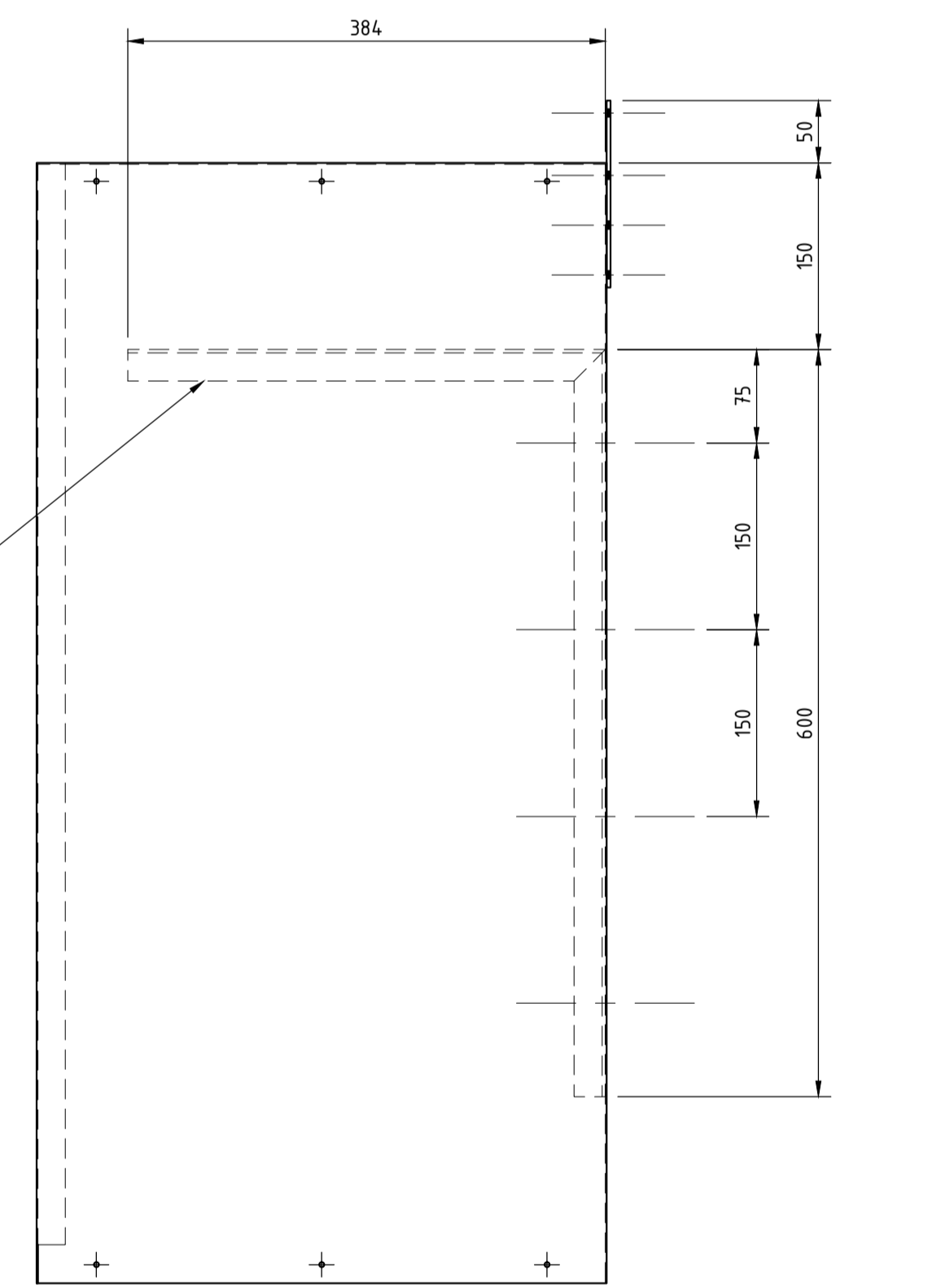


DOOR

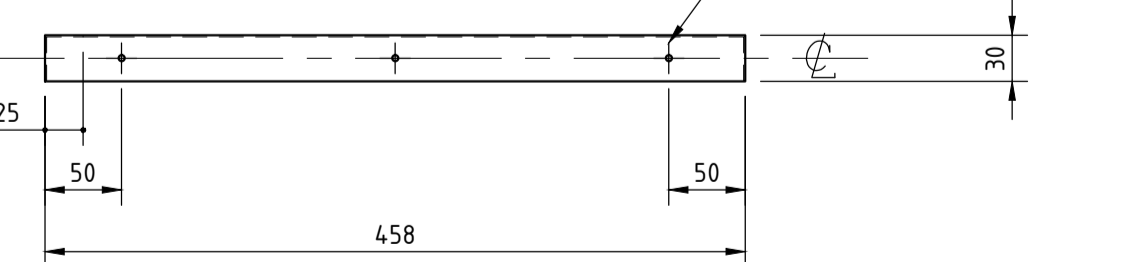


FRONT VIEW

CABINET BODY



RIGHT SIDE VIEW



BASE

NOTES

1. ALL STEELWORK TO BE FABRICATED IN ACCORDANCE WITH AS 3990.
2. MATERIAL TO BE 1mm THK STEEL SHEET TO AS 1595 UNLESS STATED OTHERWISE.
3. ALL METAL EDGES TO BE STRAIGHT AND FREE OF BURR.
4. STEELWORK TO BE THOROUGHLY CLEANED, THEN GIVEN ONE COAT OF ZINC CHROMATE - RED OXIDE PRIMER FOLLOWED BY TWO COATS OF ENAMEL, COLOUR TO BS.381C : 1964 - No 220 OLIVE GREEN.

STOCK CODE
123067

| | |
|--------------------------------------|--|
| CAD DRAWING DO NOT MANUALLY AMEND | AMENDMENTS |
| | <p>7 UPDATED TO CAD. NOTES REVISED. CHKD: M VENGIG DWN: A. CHRISTOU CHKD: M. JARVIS DATE: 03-07-2015 APP'D BY: K. GALLAN</p> |

| |
|---|
| <p>8 NETWORK STANDARD ENDORSEMENT & STOCK CODE ADDED. OPEX 6568-1-1-6 P.JARVIS 21/9/15 CHECKED: M.CHARAN APPROVED: M.GIBSON</p> |
|---|

NETWORK STANDARD

 570 George Street
 SYDNEY NSW 2000

| | |
|----------------|---------------|
| SCALE | 1:5, 1:2, 1:1 |
| DESIGNED | |
| DRAWN | RVG |
| CHECKED | KEM |
| APPROVED | JH |
| DATE | 17-01-1986 |
| PRJTRK No. | |
| PROJECT NUMBER | 21874 |

| | | | | | | | |
|--|-------|-------|---|-----|---|------|----|
| DISTRIBUTION SUBSTATIONS OPERATOR LOCKER DETAILS | | | | | | | |
| DRAWING No | 31858 | SHEET | 1 | AMD | 8 | SIZE | A1 |