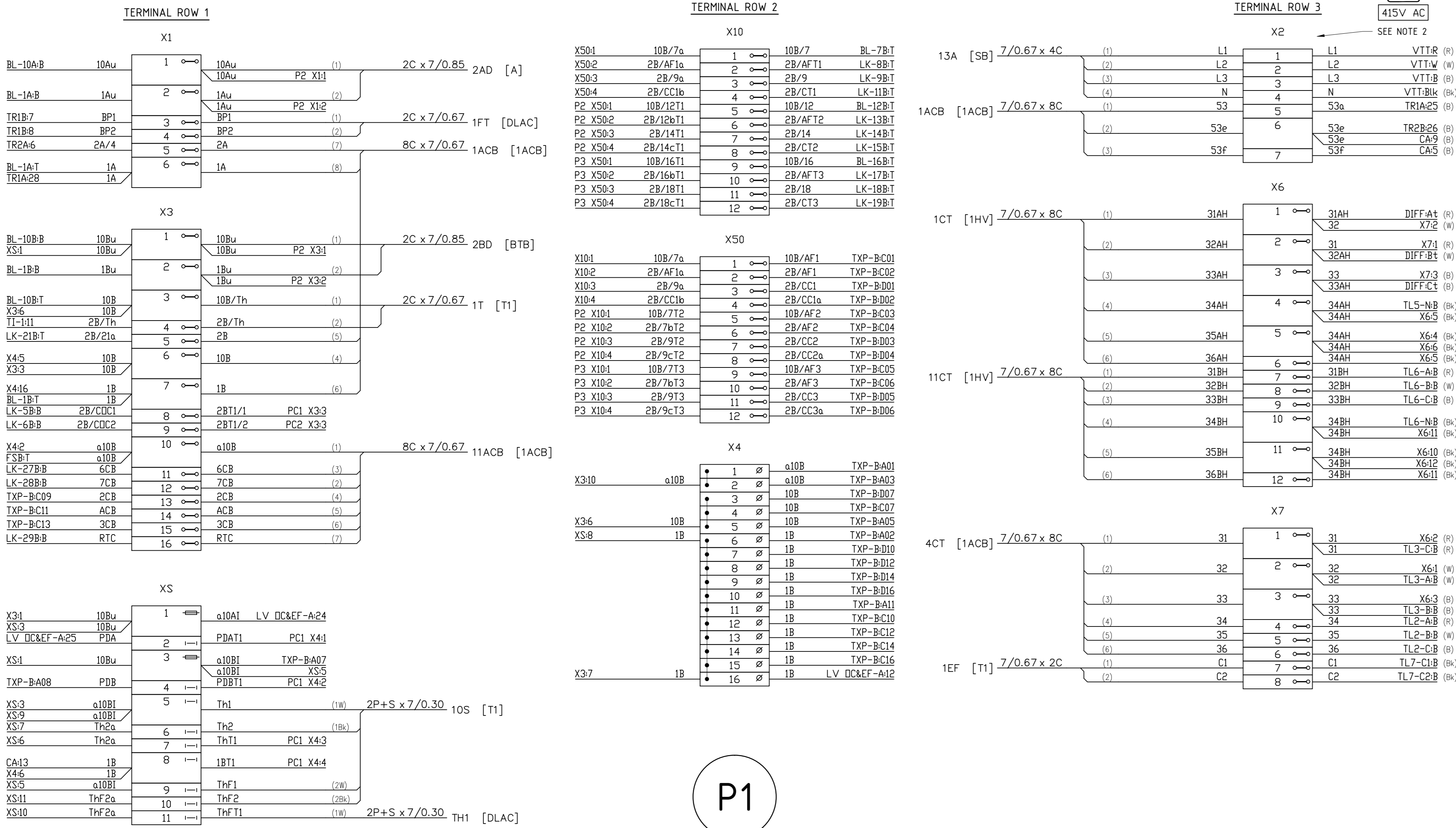


1st CABINET

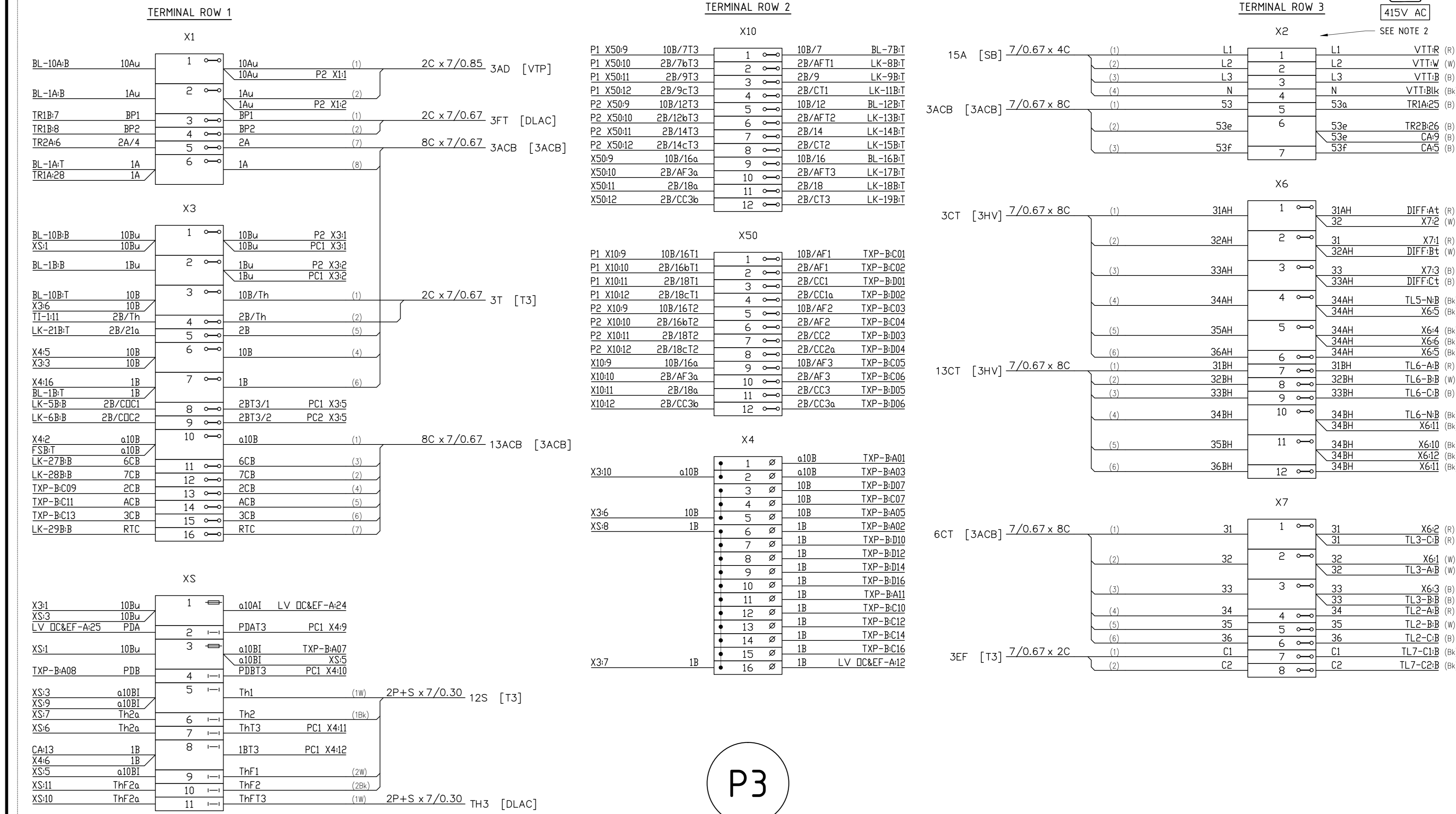
1st TRANSFORMER PROTECTION PANEL TERMINAL RAIL LAYOUT CABLING & WIRE JUMPERS



P1

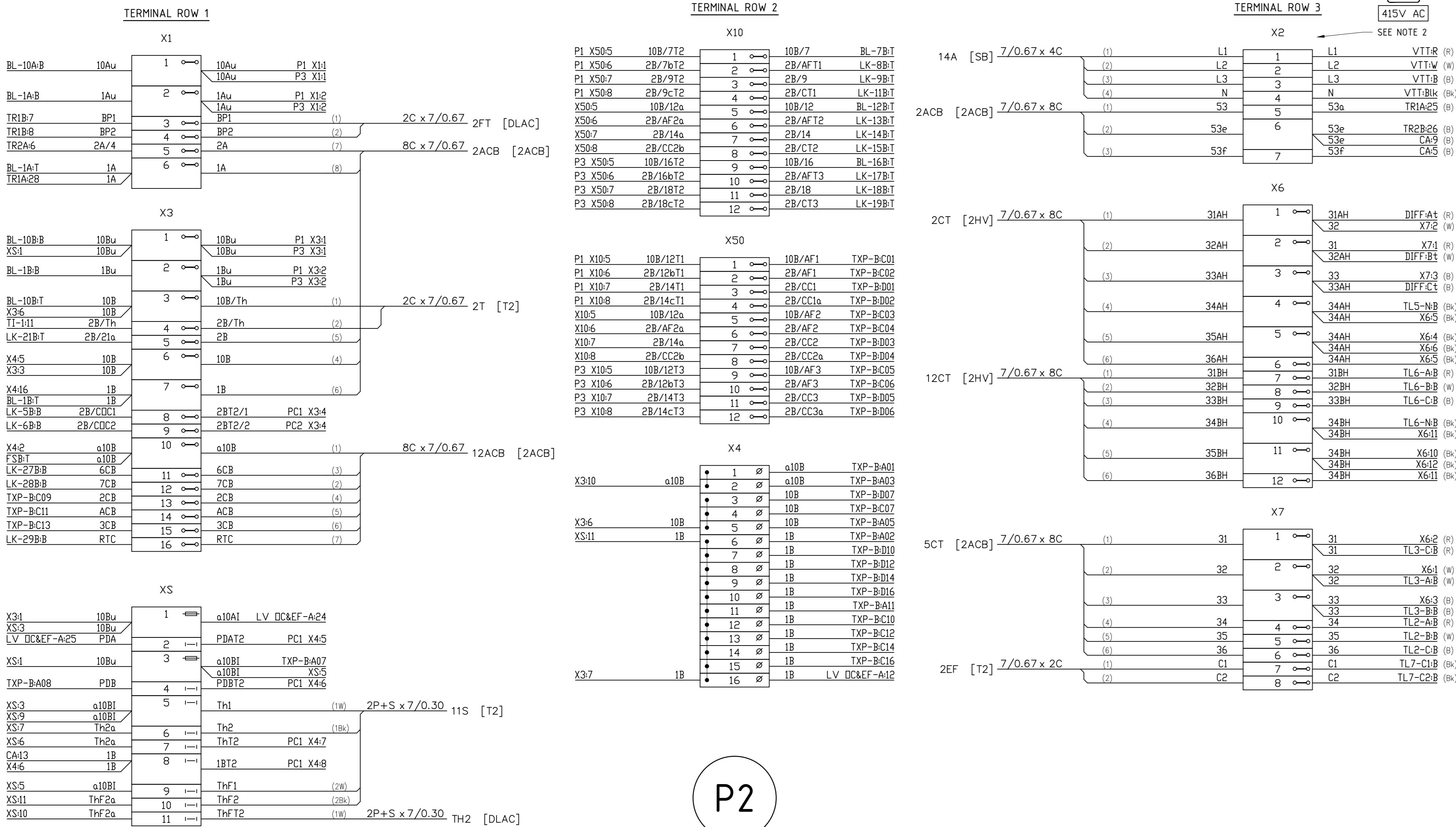
2nd CABINET

3rd TRANSFORMER PROTECTION PANEL TERMINAL RAIL LAYOUT CABLING & WIRE JUMPERS



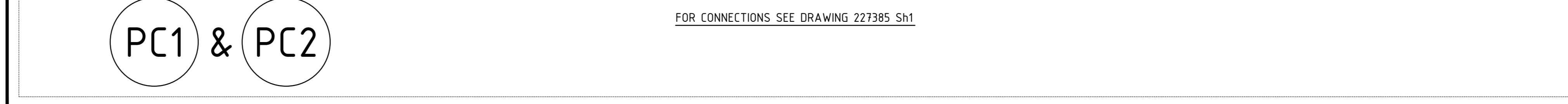
P3

2nd TRANSFORMER PROTECTION PANEL TERMINAL RAIL LAYOUT CABLING & WIRE JUMPERS



P2

CUSTOMER OC No.1 & No.2 PROTECTION PANEL



PC1 & PC2

FOR CONNECTIONS SEE DRAWING 227385 SH1

NOTES:

- 1. ALL PANEL WIRING IS TO BE AS LISTED HERE:
DC WIRING IS TO BE 7/0.50, 0.6kV GRADE PVC INSULATED COLOURED GREY.
EARTH WIRING IS TO BE 7/0.67, 0.6kV GRADE PVC INSULATED COLOURED GREEN/YELLOW (Y/G).
A PHASE CT AND AC WIRING IS TO BE 7/0.67, 0.6kV GRADE PVC INSULATED COLOURED RED (R).
B PHASE CT AND AC WIRING IS TO BE 7/0.67, 0.6kV GRADE PVC INSULATED COLOURED WHITE (W).
C PHASE CT AND AC WIRING IS TO BE 7/0.67, 0.6kV GRADE PVC INSULATED COLOURED BLUE (B).
EARTH CT AND NEUTRAL AC WIRING IS TO BE 7/0.67, 0.6kV GRADE PVC INSULATED COLOURED BLACK (BK).
2. TERMINALS, INSULATED TEST PANEL SOCKETS AND RELAY CONNECTIONS ARE TO BE FITTED WITH CAUTION LABELS TO WARN OF THE 415V/240 AC HAZARD. ANY EXPOSED TERMINALS ARE TO BE APPROPRIATELY COVERED.
3. ALL WIRING TO HAVE IDENTIFICATION FEEDRILES FITTED AT BOTH ENDS OF WIRE ADJACENT TO TERMINALS WHERE POSSIBLE. WIRE IDENTIFICATION CODES TO BE IN ACCORDANCE WITH THIS DRAWING.
4. FOR INTER-PANEL WIRING THE WIRE DESTINATIONS ARE PREFIXED WITH THE DESTINATION PANELS ABBREVIATION. FOR EXAMPLE 'P2 X1-1' MEANS IT WILL TERMINATE IN THE SECOND TRANSFORMER PROTECTION PANEL ON THE X1 TERMINAL RAIL, TERMINAL 1. SEE PANEL ABBREVIATION TABLE.
5. PANEL TERMINAL LAYOUT IS REPRESENTATIVE. FOR ACTUAL LAYOUT SEE DWG 227381 SH1

TABLE: PANEL ABBREVIATION TABLE. Lists panels such as 1A1B, 1A2B, 1A3B, etc., and their corresponding descriptions.

TABLE: TAGNAME, MFG, CATNO, DESC, REF DWG. Lists components like X1, X2, X3, X4, X5, X6, X7, X8, X9, X10, X11, X12, X13, X14, X15, X16, X17, X18, X19, X20, X21, X22, X23, X24, X25, X26, X27, X28, X29, X30, X31, X32, X33, X34, X35, X36, X37, X38, X39, X40, X41, X42, X43, X44, X45, X46, X47, X48, X49, X50, X51, X52, X53, X54, X55, X56, X57, X58, X59, X60, X61, X62, X63, X64, X65, X66, X67, X68, X69, X70, X71, X72, X73, X74, X75, X76, X77, X78, X79, X80, X81, X82, X83, X84, X85, X86, X87, X88, X89, X90, X91, X92, X93, X94, X95, X96, X97, X98, X99, X100.

TABLE: TITLE, DWG No. Lists drawing titles and their corresponding drawing numbers, such as 'EPOXY RESIN ENCASED PROTECTION CURRENT TRANSFORMER OUTLINE AND DETAILS' (227390 SH1).

FOR ARRANGEMENT WITH OIL TYPE TRANSFORMERS SEE 227384 SH2



CITY DISTRIBUTION SUBSTATIONS WITH E TYPICAL LV BOARD, DRY TYPE TX, AND OPTICAL ARC FLASH DETECTION TRANSFORMER PROTECTION PANEL CABLE CONNECTION DIAGRAM

DRAWING No 227384 SHEET 1 AMD 0 SIZE A0