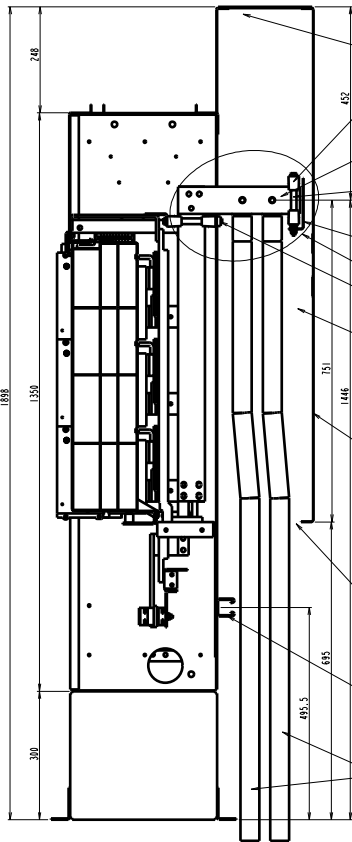
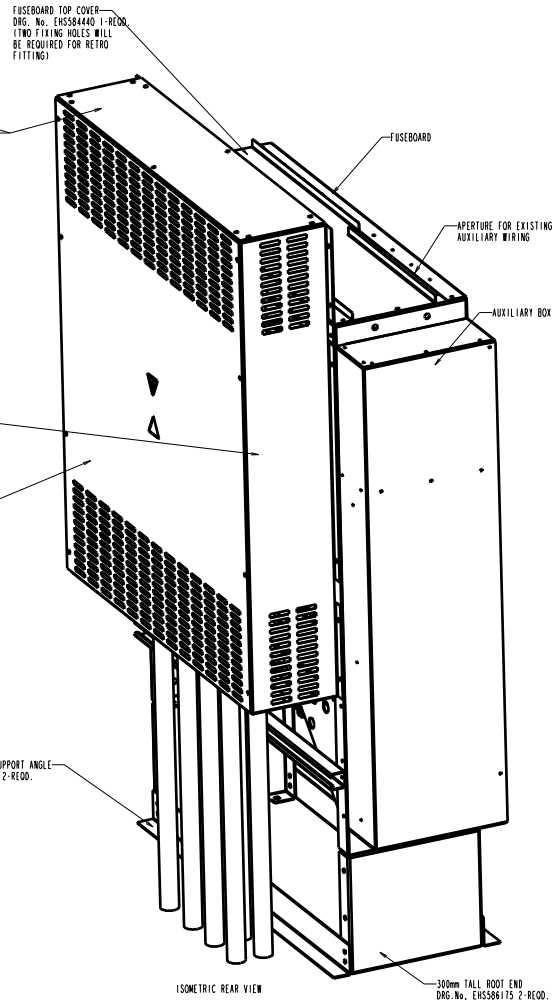


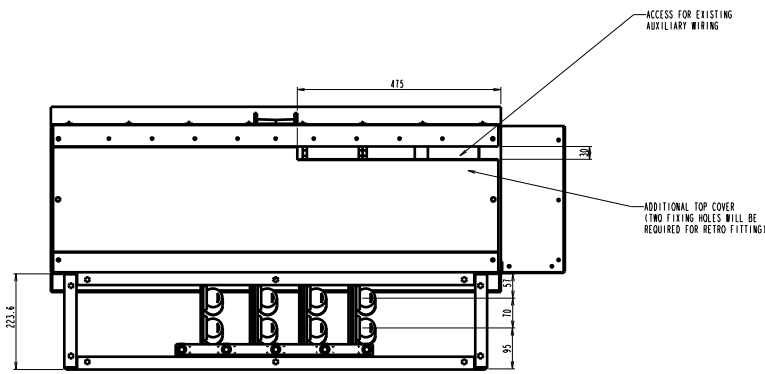
REAR VIEW WITH CABLE CHAMBER REAR COVER REMOVED



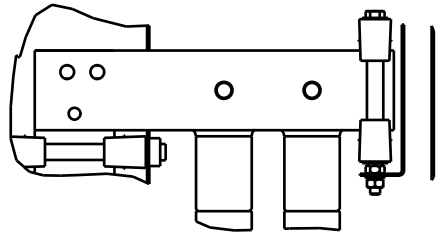
END VIEW WITH CABLE CHAMBER END COVER REMOVED



ISOMETRIC REAR VIEW



PLAN VIEW



DETAIL A
SCALE 1:2

| REV | DATE | DRAWN | APPROVED | DETAILS OF REVISION |
|-----|-----------|--------|----------|--|
| R3 | 26.11.08 | R.BELL | A.STEEL | INCOMING CABLES WERE SHOWN WITH A RADIUS AT THE BOTTOM TO RUN AT GROUND LEVEL. UNISTRUT SUPPORT ADDED. ALL PER E-MAIL DATED 24.11.2008 |
| R2 | 16.7.2008 | R.BELL | A.STEEL | REAR CABLE BOX MODIFIED TO ACCEPT UPWARD CABLING |
| R1 | 15.1.2007 | R.BELL | A.STEEL | UNIT RAISED BY 300mm AS REQUESTED PER E-MAIL DATED 18/12/2006 |

| | | | | | |
|--------------------------|------------------|---|---|----------------|--|
| CUSTOMER ORDER No. | CUSTOMER | <p>THIS DRAWING IS THE PROPERTY OF SCHNEIDER LTD.</p> | DRAWN DATE APPROVED DATE | SCALE 1:100 | |
| HEALTH CARE CONTRACT NO. | ENERGY AUSTRALIA | | EA - 205769/0 SEE ALSO DRG. No. EFS-28818-KL-2 | EFS-28818-KL-1 | |

PROPOSED ARRANGEMENT OF ENERGY AUSTRALIA KL FUSEBOARD WITH ADDITIONAL CABLE CHAMBER ON REAR AND 300mm ROOT