

DETAIL 1
MDI SHORTING SWITCH
REFER NOTE 10

DETAIL 2
CHANGEOVER SWITCH
REFER NOTE 10

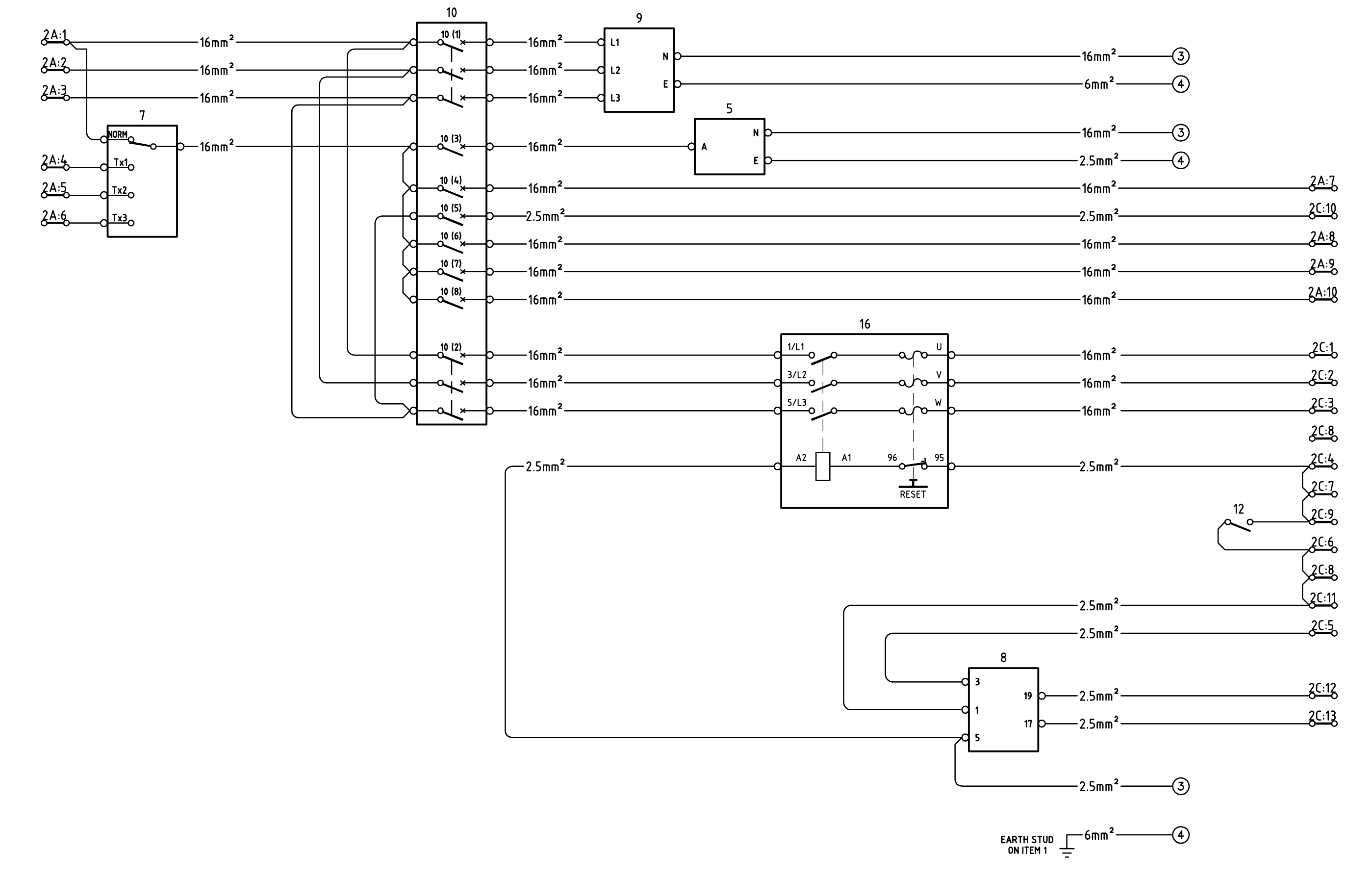
DETAIL 3
MDI TEST LINKS
REFER NOTE 10

DETAIL 4
FAN CONTROL SWITCH
REFER NOTE 10

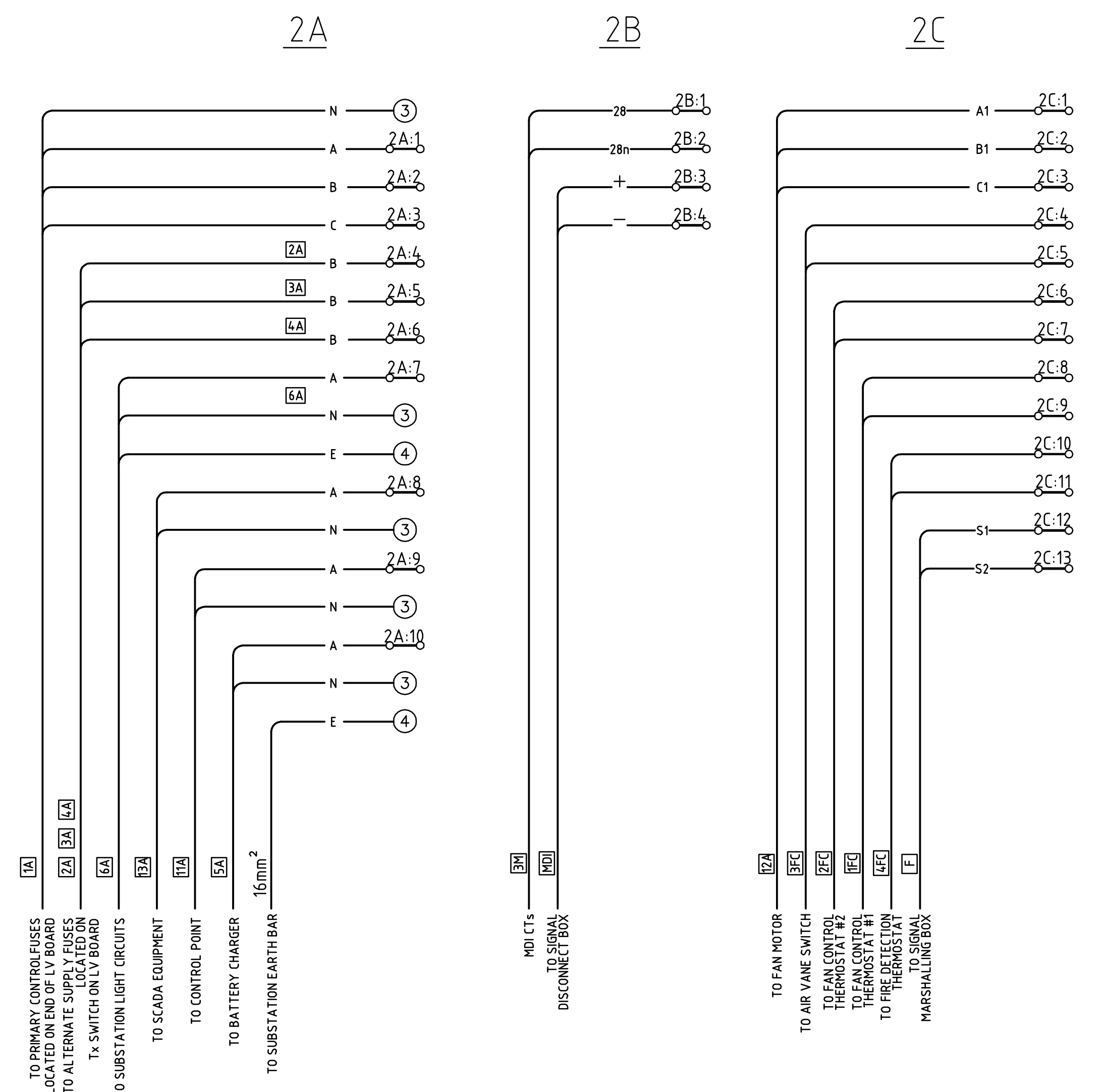
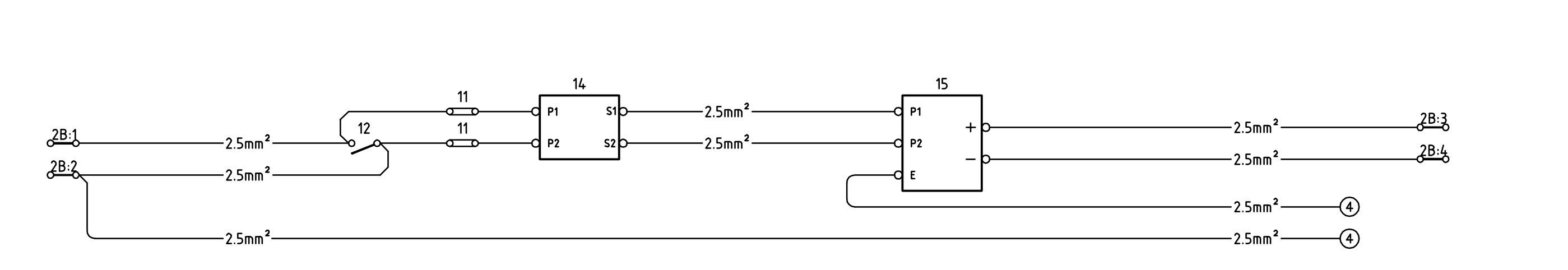
NOTES

- THIS SERVICE BOARD HAS SUBSTATION FAN CONTROL EQUIPMENT INCLUDED & IS DESIGNED FOR USE IN CITY DISTRIBUTION SUBSTATIONS.
- ALL MATERIALS SHOWN CAN BE SUBSTITUTED AS LONG AS THE SUBSTITUTE COMPONENT PROVIDES SIMILAR OR BETTER PERFORMANCE THAN THE ONE SHOWN. DETAILS PROVING THE PERFORMANCE OF OTHER PRODUCTS MUST BE SUBMITTED FOR ACCEPTANCE, IN ACCORDANCE WITH THE REQUIREMENTS OF NETWORK STANDARD NS181, BEFORE USE.
- THIS DRAWING IS TO BE READ IN CONJUNCTION WITH RELEVANT NETWORK STANDARDS.
- DRILLING DETAILS FOR THE TRANSDUCER, INTERPOSING CT AND MOULDED LINKS ONLY ARE SHOWN. FOR ALL OTHER COMPONENTS REFER TO THE MANUFACTURE FOR DETAILS.
- DRILLING DETAILS, DIAMETER OF HOLES.
C - 13mm
D - 5mm
- COMPRESSION TYPE CABLE LUGS ARE TO BE USED FOR CABLE TERMINATIONS 2A, 2B, 2C, 11, 14 AND 15.
- THE EARTH AND NEUTRAL LINK CONNECTIONS DESIGNATED BY ③ & ④ ARE TO BE INDIVIDUALLY CONNECTED TO THEIR LINK.
- CIRCUIT 10(7) CONTROL POINT IS NOT REQUIRED ON ALL INSTALLATIONS.
- CABLE TO BE OF ADEQUATE SIZE TO PREVENT VOLTAGE DROP, REFER TO AS 3000 FOR CABLE SIZE.
- DETAILS 1, 2, 3 & 4 SHOW WORDING AND POSITION OF SELF ADHESIVE LABELS. LABELS ARE TO BE BLACK LETTERING ON WHITE BACKGROUND.
- NUMBERS SHOWN [] ARE CABLE NUMBERS REFER TO DRAWINGS 178233 & 178234.

TERMINALS	4 STEP SWITCH (7)	CABLE SIZE	12 MODULE SWITCHBOARD (10)	CABLE SIZE	3Φ 5 PIN SOCKET (9)	DOUBLE GPO (5)	MOTOR STARTER (16)	FAN FAILURE RELAY & TIMER (8)	CABLE SIZE	NEUTRAL LINK (11)	10A SWITCH (12)	TERMINALS
-----------	-------------------	------------	----------------------------	------------	---------------------	----------------	--------------------	-------------------------------	------------	-------------------	-----------------	-----------



TERMINALS	CABLE SIZE	10A SWITCH (12)	M6 LINK (11)	INTERPOSING CT (14)	CABLE SIZE	TRANSDUCER (15)	CABLE SIZE	EARTH LINK (4)	TERMINALS
-----------	------------	-----------------	--------------	---------------------	------------	-----------------	------------	----------------	-----------



CABLE CONNECTIONS

MATERIAL LIST (SEE NOTE 2)			
ITEM No	DESCRIPTION	REMARKS	No. OFF
1	WALL MOUNTED BOX	EMPCO W6425	1
2A	TERMINAL STRIP 1 (2A- 1-10)	KLIIPPON ST5 85A	10
2B	TERMINAL STRIP 2 (2B- 1-4)	UTILUX H3820 30A	4
2C	TERMINAL STRIP 3 (2C- 1-13)	UTILUX H3820 30A	13
3	NEUTRAL LINK	CLIPSAL TYPE L10	1
4	EARTH LINK	CLIPSAL TYPE L8	1
5	10A & 15A DOUBLE GPO	HPM TYPE 777/1015	1
6	MOUNTING BLOCK	HPM TYPE 14.0	1
7	4 STEP CHANGEOVER SWITCH	KRAUS & NAIMER TYPE C32 A231 603 E	1
7A	ADJUSTABLE SHAFT	KRAUS & NAIMER TYPE S1M004E/0008070	1
7B	TERMINAL COVERS	KRAUS & NAIMER TYPE S1 M160/B03	1
8	FF5 FAN FAILURE RELAY & TIMER	AUSGRID STOCK CODE 60962	1
9	50A 3 PHASE, 5 PIN SOCKET	CLIPSAL CAT No. 56S0550	1
10	12 MODULE SWITCHBOARD	HPM TYPE HM12	1
10 (1)	50A 3Φ 8kA MINIATURE C/B (3Φ POWER)	CLIPSAL TYPE 4CB350	1
10 (2)	20A 3Φ 8kA MINIATURE C/B (3Φ FAN)	CLIPSAL TYPE 4CB320	1
10 (3)	20A 1Φ 8kA MINIATURE C/B (1Φ POWER)	CLIPSAL TYPE 4CB120	1
10 (4)	16A 1Φ 8kA MINIATURE C/B (LIGHTS)	CLIPSAL TYPE 4CB116	1
10 (5)	10A 1Φ 8kA MINIATURE C/B (IFAN CONTROL)	CLIPSAL TYPE 4CB116	1
10 (6)	10A 1Φ 8kA MINIATURE C/B (B ISCADA)	CLIPSAL TYPE 4CB110	1
10 (7)	20A 1Φ 8kA MINIATURE C/B (CONTROL POINT)	CLIPSAL TYPE 4CB120	1
10 (8)	20A 1Φ 8kA MINIATURE C/B (BATTERY CHARGER)	CLIPSAL TYPE 4CB120	1
11	M6 MOULDED LINK	AUSGRID STOCK CODE 78493	2
12	10A SINGLE POLE SWITCH	HPM TYPE A770/1	2
13	MOUNTING BLOCK	HPM TYPE 14.1	2
14	INTERPOSING C.T.	CROMPTON TYPE MA5Y-94 15/5A	1
15	TRANSDUCER	DEWAR ELECTRONICS MODEL 666/2	1
16	5.5kW/7.5HP D.O.L. MOTOR STARTER	LE1-D123/LR2-D1316 SCHNEIDER (FORMER TELEMECANIQUE)	1