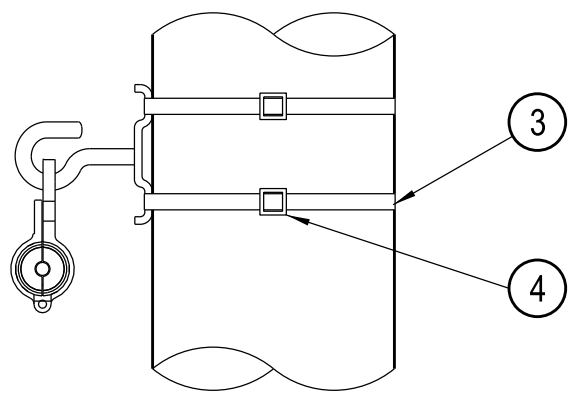
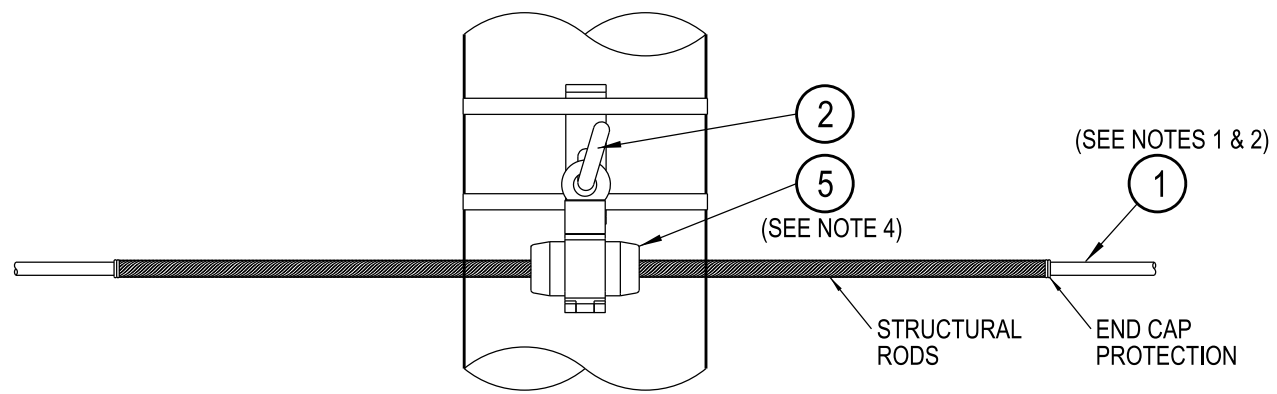


TOP VIEW

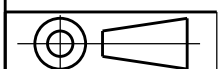
TOTAL LINE DEVIATION LESS THAN OR EQUAL TO 30°.

**NOTES :**

1. USE 400m MAXIMUM SPAN LENGTH ADSS CABLE WITH THIS CONSTRUCTION.
2. 72 OR 144 CORE STANDARD ADSS OPTICAL FIBRE CABLE IS TO BE USED UNDER NORMAL OPERATING CONDITIONS. 72 OR 144 CORE ANTI-TRACKING ADSS OPTICAL FIBRE CABLE IS TO BE USED WITH SECONDARY SYSTEMS APPROVAL IN HIGH POLLUTION ENVIRONMENTS & IN LOCATIONS WHERE A HIGH ELECTRIC FIELD EXISTS.
3. THE MAXIMUM LINE DEVIATION ANGLE TO BE CONSTRUCTED ON THIS ARRANGEMENT IS 30°.
4. FIBERLIGN DIELECTRIC SUSPENSION CLAMP OFDSA-138146 IS TO BE USED ON THE 72 CORE STANDARD & 144 CORE ANTI-TRACKING ADSS OPTICAL FIBRE 400m MAXIMUM SPAN LENGTH CABLES. FIBERLIGN DIELECTRIC SUSPENSION CLAMP OFDSA-130137 IS TO BE USED ON THE 72 CORE ANTI-TRACKING ADSS OPTICAL FIBRE 400m MAXIMUM SPAN LENGTH CABLE.
5. FIBERLIGN DIELECTRIC SUSPENSION CLAMP OFDSA-190199 IS TO BE USED ON THE 144 CORE STANDARD ADSS OPTICAL FIBRE 400m MAXIMUM SPAN LENGTH CABLE.
5. THIS STANDARD CONSTRUCTION IS ONLY TO BE USED WITH SECONDARY SYSTEMS APPROVAL.



ITEM	DESCRIPTION	DRG. No.	QTY
5	CLAMP - SUSPENSION, FIBERLIGN DIELECTRIC (PLP PART No. OFDSA-190199) (SEE NOTE 4)		1
	CLAMP - SUSPENSION, FIBERLIGN DIELECTRIC (PLP PART No. OFDSA-130137) (SEE NOTE 4)		
	CLAMP - SUSPENSION, FIBERLIGN DIELECTRIC (PLP PART No. OFDSA-138146) (SEE NOTE 4)		
4	BUCKLE - STRAPPING SEAL, 12.7mm, STAINLESS STEEL		2
3	STRAP - BANDIT, 12.7mm, STAINLESS STEEL (LENGTH TO SUIT POLE)		A/R
2	HOOK - M16, SAFETY PLATE (PLP PART No. GSHP-16)		1
1	CABLE - OPTICAL FIBRE, 144 CORE, ADSS, ANTI-TRACKING, 400m (SEE NOTES 1 & 2)		A/R
	CABLE - OPTICAL FIBRE, 144 CORE, ADSS, STANDARD, 400m (SEE NOTES 1 & 2)		
	CABLE - OPTICAL FIBRE, 72 CORE, ADSS, ANTI-TRACKING, 400m (SEE NOTES 1 & 2)		
	CABLE - OPTICAL FIBRE, 72 CORE, ADSS, STANDARD, 400m (SEE NOTES 1 & 2)		



CAD DRAWING DO NOT MANUALLY AMEND	AMENDMENTS	DWN: PATRICIA RIOS	CHKD: ALFRED FREESTONE	DATE: 02/04/2019	NOTES & MATERIAL LIST AMENDED.	APP'D by: GLENN FORD
1						

NETWORK STANDARD

145 NEWCASTLE RD WALLSEND,  
NSW 2287

SCALE	1:7.5	<b>STANDARD CONSTRUCTION</b> <b>ADSS FIBRE OPTIC CABLE RETROFIT ON</b> <b>CONCRETE POLE - ADSS SUSPENSION CONSTRUCTION</b> <b>30 DEG MAXIMUM LINE DEVIATION WITH</b> <b>SPAN LENGTHS BETWEEN 150m AND 350m</b>			
DESIGNED	PHILLIP JONES				
DRAWN	PATRICIA RIOS				
CHECKED	ALFRED FREESTONE				
APPROVED	GLENN FORD				
DATE	17/11/14				
PROJECT NUMBER	STD	SIZE	DRAWING No	SHEET	AMD
PROJTRAK NUMBER	-	A3	234580	01	1