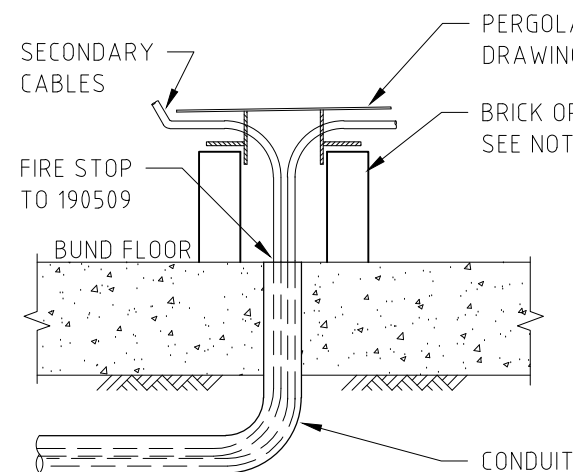


**INCORRECT BUND CONSTRUCTION**

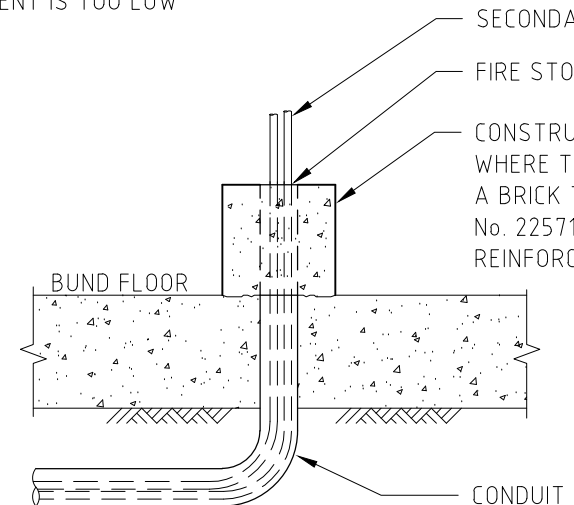
SCALE 1:20  
BUND HEIGHT AROUND EQUIPMENT IS TOO LOW

**CORRECT BUND CONSTRUCTION**

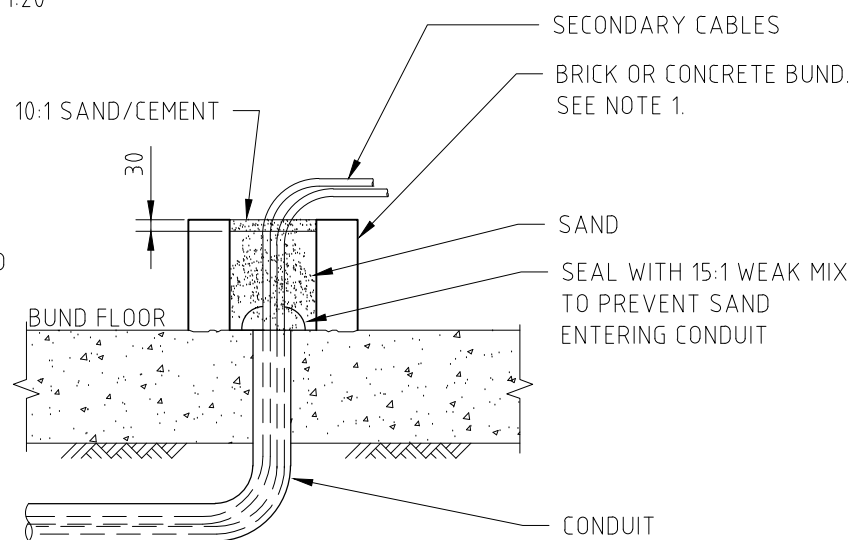
SCALE 1:20



**OPTION 1**  
SCALE 1:20

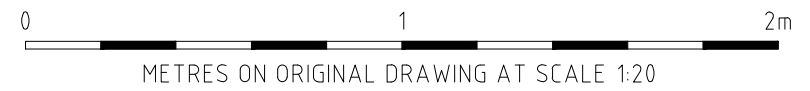


**OPTION 2**  
SCALE 1:20



**OPTION 3**  
SCALE 1:20

FOR POWER CABLES REFER TO DRAWING No. 190509 OR NS171



**HOLD POINT: CLERK OF WORKS TO OBTAIN ELECTRICAL LAYOUT APPROVAL PRIOR TO CONSTRUCTION TO ENSURE ELECTRICAL CLEARANCE IS MAINTAINED**

**NEW BUND AT SECONDARY CABLES**

- BUND OPTIONS**
  - CONCRETE (REFER TO DRAWING No. 225715)
  - BRICK (MAXIMUM BRICK BUND SIZE 1m x 1m x 0.6m HIGH)
- COVER OPTIONS**
  - STEEL PERGOLA (OPTION 1)
  - SAND/CEMENT (OPTION 3)

**CONSTRUCTION ISSUE**

CAD DRAWING DO NOT MANUALLY AMEND	AMENDMENTS	
	INITIAL ISSUE	
	NOTE REVISED	
	DES: J. WOODBRIDGE	
	DWN: J. ABDILLA	
CHKD: B. PUT		
DATE: 05.04.16		
APP'D by: K. GALLEN		

20110809	1	2	3	4	5	6	7	8
----------	---	---	---	---	---	---	---	---

570 George Street  
SYDNEY NSW 2000

SCALE	AS SHOWN
DESIGNED	JEREMY WOODBRIDGE
DRAWN	JOSEPH ABDILLA
CHECKED	JEREMY WOODBRIDGE
APPROVED	KATINA GALLEN
DATE	02-11-11
PROJECT NUMBER	-
PROJTRAK NUMBER	-

<b>SUBSTATION BUNDED AREAS BUND FLOOR PENETRATION FOR SECONDARY CABLES</b>				SIZE	DRAWING No	SHEET	AMD
				A3	225716	1	1