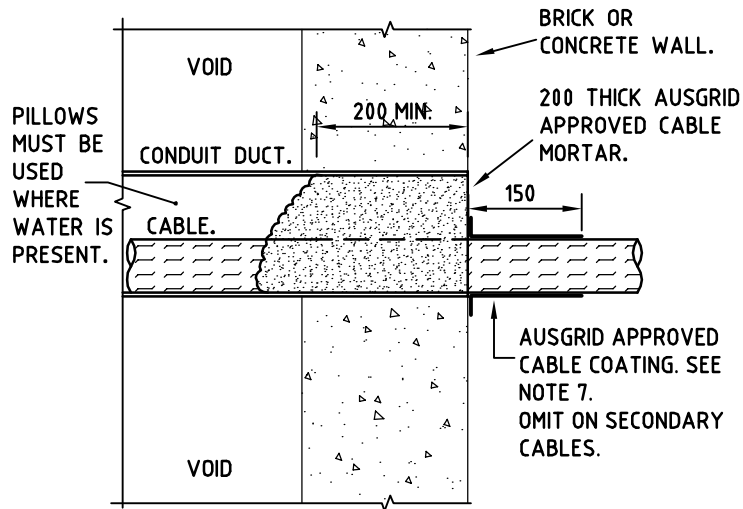
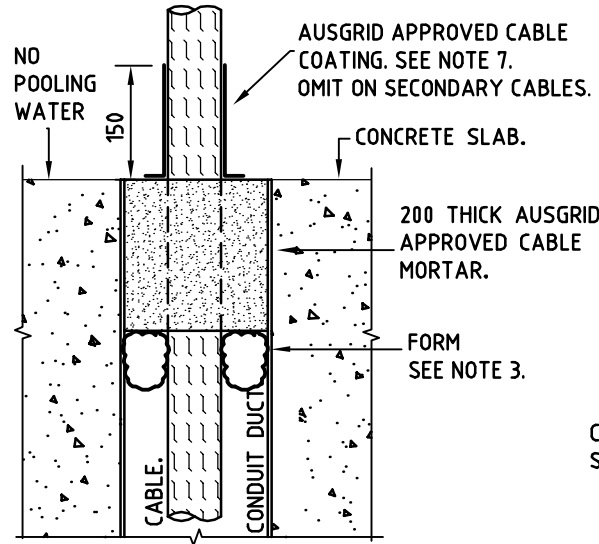


NS 171 DETAIL-APPENDIX B

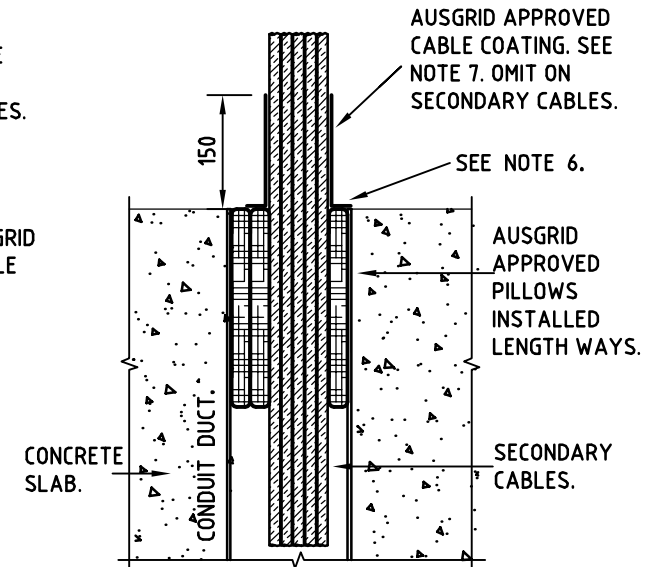
A



WALL SECTION AT CABLE MORTAR SEAL



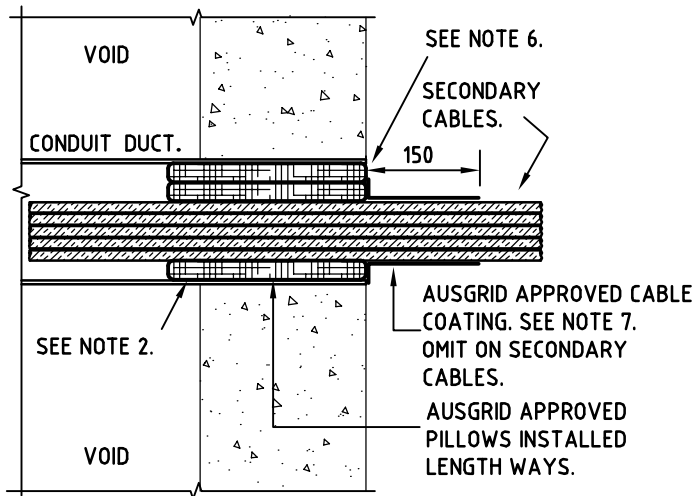
FLOOR SECTION AT CABLE MORTAR SEAL



FLOOR SECTION AT CABLE PILLOW SEAL

B

C



WALL SECTION AT CABLE PILLOW SEAL

FOR OUTDOOR USE REFER TO DRAWING No. 190509 FOR DETAILS

NOTES:

1. USE MORTAR FOR HV CABLES AND PILLOW FOR SECONDARY CABLES.
2. WHERE POSSIBLE, FOR HORIZONTAL CONDUITS PLACE A PILLOW UNDER CABLES.
3. DO NOT USE MMMF TO FORM SEAL. USE FIRE RETARDANT TREATED WOOL (HIGGINS OR APPROVED EQUIVALENT)
4. ALL PRODUCTS TO BE INSTALLED/APPLIED IN ACCORDANCE WITH MANUFACTURER'S INSTRUCTIONS.
5. SEAL BOTH ENDS OF DUCTS WHERE THE DUCT JOINS COMPARTMENTS.
6. SEAL GAPS WITH APPROVED MASTIC.
7. 1.6mm DFT AND OVERLAP SEAL BY 20mm.

LIMITATIONS OF USE:

- i. DO NOT USE IF $(D^2_{\text{CABLE}}/D^2_{\text{CONDUIT}})$ IS GREATER THAN 0.6 (60%) WHERE D = DIAMETER. WHERE THIS OCCURS - CONTACT DESIGN OFFICE (CIVIL & STRUCTURAL)
- ii. DO NOT USE CABLE MORTAR SEAL IN AREAS WHERE SUBMERSION IN WATER IS LIKELY.



D

CAD DRAWING DO NOT MANUALLY AMEND AMENDMENTS	
1. SECTIONS AND NOTES REVISED. JA 07.01.04	2. *OMIT ON SECONDARY CABLES* NOTE ADDED. JA 30.01.06
3. NOTE ADDED. JA 12.08.08	4. NEW AUSGRID NOTES REVISED. BORDER & LOGO ADDED. J-ABDILLA 16.10.13 APPROVED T.L



SCALE	1:10
DESIGNED	
DRAWN	JA
CHECKED	JW
APPROVED	M-DESIGN JW
DATE	02/12/03

MORTAR AND PILLOW CABLE DUCT SEALS FOR FLOOR AND WALL PENETRATIONS.

PROJECT No.	ES 102-9-1
PRJTRK No.	
Sheet	1
A4	128468
	4

