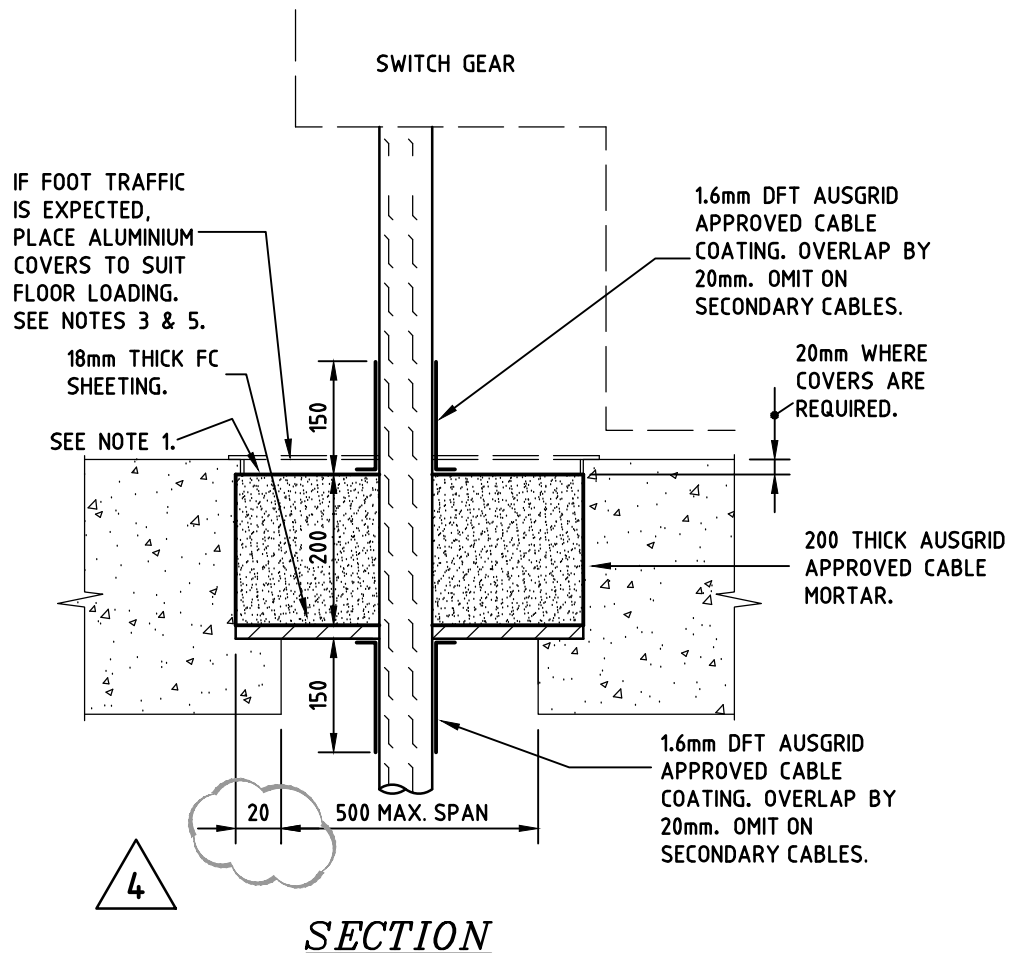


# NS 171 DETAIL - APPENDIX B



## NOTES:

1. PAINT "NO STEP" AT 1.5 INTERVALS AND AT VISIBLE SECTIONS ON MORTAR EVEN WHERE COVERS ARE PROVIDED.
2. CABLE MORTAR AND CABLE COATING TO BE INSTALLED IN ACCORDANCE WITH MANUFACTURERS INSTRUCTION.
3. PLACE ALUMINUM COVERS WHERE FREQUENT FOOT TRAFFIC CAN BE EXPECTED. ENSURE THERE IS 20mm GAP BETWEEN COVER AND MORTAR. COVERS TO BE DESIGNED FOR TRAFFIC LOADING EXPECTED. LOCATING LUGS TO BE PROVIDED ON THE PLATE.
4. IF THERE IS OIL PRESENT PLACE AN OIL SEAL, REFER TO DETAIL ON DRG. A4-190509. PLACE OIL SEAL IF DUST FROM MORTAR WILL PLACE EQUIPMENT AT RISK.
5. EARTHING MAY BE REQUIRED FOR STEELWORK. REFER TO NETWORK ENGINEERING.

## LIMITATIONS OF USE:

- i. NOT TO BE USED WHERE SUBMERSION IN WATER IS LIKELY.
- ii. INTERNAL USE ONLY.

CAD DRAWING DO NOT MANUALLY AMEND	AMENDMENTS	1. SECTION REVISED. JA 07.01.04	2. NOTE '5' ADDED. JA 06.04.04	3. "OMIT ON SECONDARY CABLES" NOTE ADDED. JA 30.01.06	4. DIMENSION REVISED. JA 10.04.08	5. NEW AUSGRID BORDER & LOGO ADDED. RLA/LAA 17-10-2013 APPROVED T.LAMPARD
--------------------------------------	------------	------------------------------------	-----------------------------------	--	--------------------------------------	---



SCALE	1:10
DESIGNED	
DRAWN	JA
CHECKED	JW
APPROVED	M-DESIGN JW
DATE	30/09/2003

MORTAR SEAL  
FOR NEW CABLE SLOTS.

PROJECT No.	ES 102-9-1
PRJTRK No.	
Sheet	1
A4	128467
	5