

A

B

C

D

E

F

A

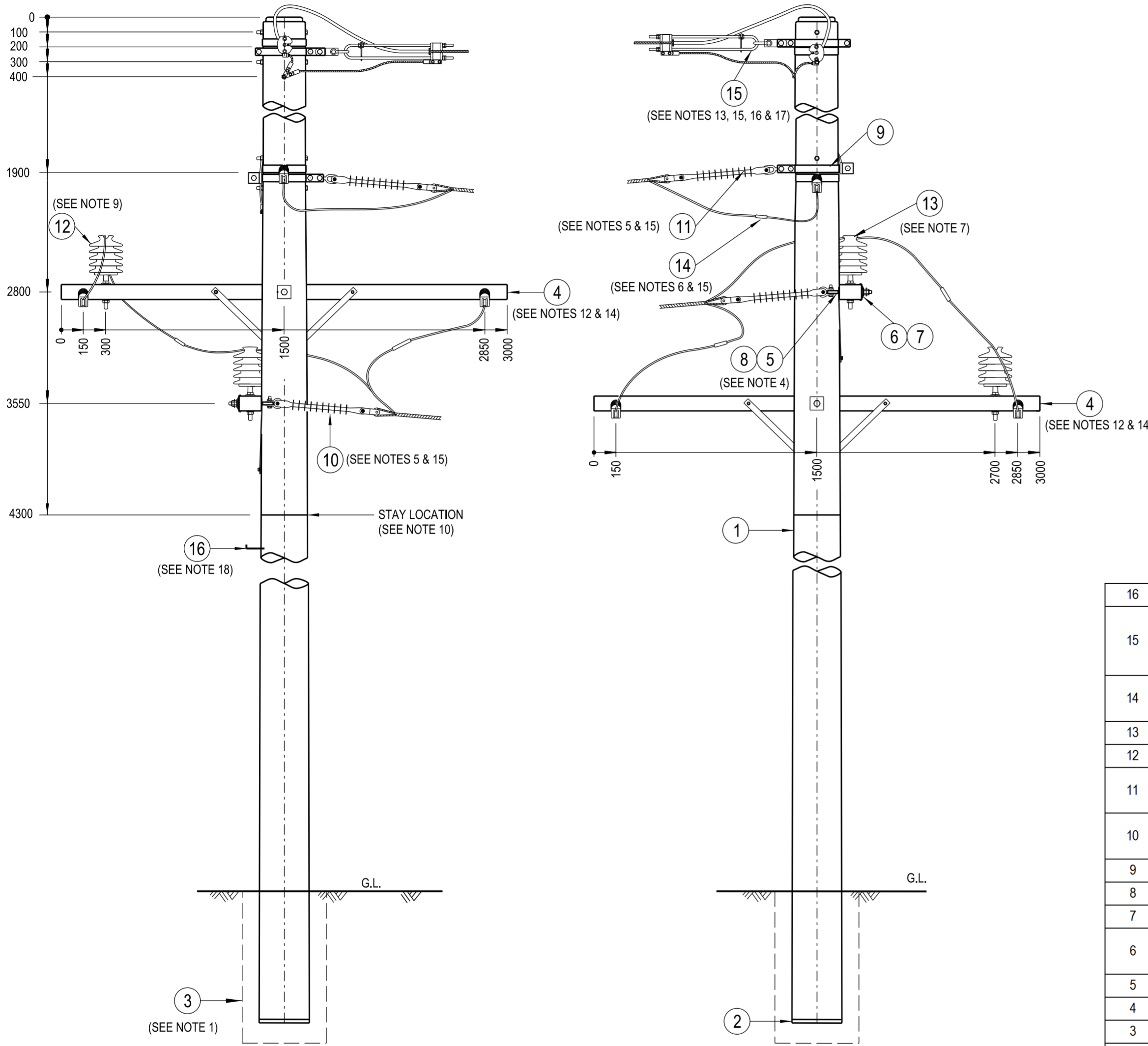
B

C

D

E

F



NOTES :

1. THE FOLLOWING INFORMATION IS OBTAINED FROM THE PROJECT DESIGN DRAWINGS:
 - a. POLE LENGTH AND STRENGTH.
 - b. SPECIAL FOUNDATION REQUIREMENTS.
 - c. POLE EMBEDMENT DEPTH.
 - d. PHASE CONDUCTOR AND OVERHEAD EARTHWIRE SIZE.
 - e. VARIATIONS TO STANDARD CROSSARM REQUIREMENTS.
 - f. STAY REQUIREMENTS.
 - g. DEVIATION ANGLE.
 - h. ASSESSED EARTHING REQUIREMENTS.
2. THE MAXIMUM LINE DEVIATION ANGLE TO BE CONSTRUCTED ON THIS ARRANGEMENT IS TO BE DETERMINED BY THE LINE DESIGNER.
3. WHEN DESIGNING UNDERBUILT CIRCUITS ON A 33kV STRUCTURE, THE POSSIBLE USE OF LIVE LINE WORKING PROCEDURES MUST BE CONSIDERED WHEN NOMINATING THE CIRCUIT SEPARATION TO ALLOW A MINIMUM CLEARANCE OF 2500mm IF REQUIRED.
4. THE LOAD AND DEVIATION ALLOWABLE ON THE EYEBOLT IS TO BE DETERMINED FROM DRG: 520324.
5. LONGROD INSULATORS TO BE USED UNDER NORMAL CONDITIONS.
6. NON-TENSION COMPRESSION SLEEVES TO BE USED WHEN REQUIRED TO JOIN CONDUCTORS.
7. USE THE ANGLE TYPE CONDUCTOR TIE ARRANGEMENT AS SHOWN ON DRG: 514038.
8. CONDUCTOR TO POLE CLEARANCE IS TO BE A MINIMUM OF 380mm.
9. INSTALL A 33/920 PIN INSULATOR ARRANGEMENT TO HOLD THE CONDUCTOR TAPPING TO INCREASE THE CONDUCTOR CLEARANCE TO THE STEEL CROSSARM AND REDUCE THE RISK OF A FLASHOVER DUE TO PERCHED BIRDS.
10. STAYS TO BE INSTALLED SO THAT THE STAY WIRE CLEARANCE FROM THE PHASE CONDUCTORS COMPLIES WITH THE STATUTORY REQUIREMENTS.
11. EYEBOLTS ARE TO BE INSTALLED IN THE DIRECTION OF THE OVERHEAD CONDUCTORS.
12. THE CROSSARM BRACE ATTACHMENT POINT ON A CONCRETE POLE IS TO BE AN M12 STAINLESS STEEL EARTH FERRULE.
13. THE OHEW IS TO BE BONDED TO AN M12 STAINLESS STEEL EARTH FERRULE ON THE CONCRETE POLE.
14. ONLY THE 3000mm STEEL CROSSARM OPTION IS SHOWN ON THIS CONSTRUCTION DRAWING. REFER TO DRG: 237491 FOR DRILLING PATTERN OF ALTERNATE CROSSARM.
15. ONLY THE SINGLE PHASE CONDUCTOR WITH OPGW THROUGH TERMINATION OVERHEAD EARTHWIRE OPTION IS SHOWN ON THIS CONSTRUCTION DRAWING.
16. USE THE OPGW THROUGH TERMINATION ARRANGEMENT WHEN ERECTING AN UNBROKEN OPGW OVERHEAD EARTHWIRE. USE THE OPGW THROUGH SPLICE BOX TERMINATION ARRANGEMENT WHEN BREAKING AN OPGW OVERHEAD EARTHWIRE. USE THE STANDARD EARTHWIRE TERMINATION ARRANGEMENT WHEN ERECTING A NON OPGW OVERHEAD EARTHWIRE.
17. WHEN USING THE OPGW THROUGH SPLICE BOX TERMINATION ARRANGEMENT, REFER TO DRG: 565743 FOR SPLICE BOX AND COILED CABLE BRACKET MOUNTING DETAILS.
18. POLE STEPS SHOULD ONLY BE INSTALLED ON POLES WHERE ACCESS FOR NORMAL MAINTENANCE VEHICLES CANNOT BE MAINTAINED FOR THE LIFE OF THE POLE. IF POLE STEPS ARE INSTALLED, THEY ARE TO COMPLY WITH THE REQUIREMENTS OF NETWORK STANDARD NS128.
19. REFER TO DESIGNER SAFETY REPORT D22/296376 FOR ATYPICAL HAZARDS ASSOCIATED WITH THIS STANDARD CONSTRUCTION.

ITEM	DESCRIPTION	DRG. No	QTY
16	STEP - POLE (SEE NOTE 18)	514084	A/R
15	EARTHWIRE - TERMINATION, OVERHEAD, MOUNTING, ARRANGEMENT -2A (SEE NOTES 13, 15 & 16)	519450	1
	OPGW - TERMINATION, CONDUCTOR, MOUNTING, ARRANGEMENT -2C (SEE NOTES 13, 15, 16 & 17)	565747	
14	JOINT - COMPRESSION, NON TENSION (TO SUIT DUAL CONDUCTORS) (SEE NOTES 6 & 15)	514053	6
	JOINT - COMPRESSION, NON TENSION (TO SUIT CONDUCTOR) (SEE NOTES 6 & 15)	514053	
13	TIE - CONDUCTOR, HIGH VOLTAGE, SUPPORT ARRANGEMENT (SEE NOTE 7)	514038	2m
12	INSULATOR - 33kV, AERODYNAMIC, (33/920) AND PIN ARRANGEMENT (SEE NOTE 9)	514006	2
11	INSULATOR - LONGROD, 33kV, DUAL CONDUCTOR, POLYMERIC STRING, ARRANGEMENT -3 (SEE NOTES 5 & 15)	250120	2
	INSULATOR - LONGROD, 33kV, POLYMERIC STRING, ARRANGEMENT -3 (SEE NOTES 5 & 15)	158754	
10	INSULATOR - LONGROD, 33kV, DUAL CONDUCTOR, POLYMERIC STRING, ARRANGEMENT -2 (SEE NOTES 5 & 15)	250120	4
	INSULATOR - LONGROD, 33kV, POLYMERIC STRING, ARRANGEMENT -2 (SEE NOTES 5 & 15)	158754	
9	BAND - POLE, MOUNTING & BONDING, ARRANGEMENT -2	514158	1
8	WASHER - SQUARE, 75x75x6mm, GALVANISED (Ø22mm HOLE)	518081	4
7	WASHER - SPRING, M20, GALVANISED	518082	4
6	WASHER - SQUARE, 75x75x6mm, GALVANISED (Ø22mm HOLE) (USE WITH COMPOSITE CROSSARM)	518081	4
	WASHER - LIP, M24, GALVANISED (USE WITH STEEL CROSSARM)	518081	
5	EYEBOLT - M20x200mm, GALVANISED (SEE NOTE 4)	513653	4
4	CROSSARM - MOUNTING ARRANGEMENT -1a (GALVANISED STEEL OR COMPOSITE FIBRE CROSSARM) (SEE NOTES 12 & 14)	514176	2
3	FOOTING - CONCRETE POLE, ARRANGEMENT (SEE NOTE 1)	512331	1
2	EARTHING - CONCRETE/STEEL, SINGLE POLE, BUTT, ARRANGEMENT	520209	1
1	POLE - CONCRETE (AS REQUIRED)		1

ALL DIMENSIONS IN MILLIMETRES UNLESS NOTED OTHERWISE. DO NOT SCALE.

NO.	DESCRIPTION	DRG. No	QTY
1	OPGW CONDUCTOR SPLICE BOX & COILED CABLE BRACKET MOUNTING ARRANGEMENT	565743	
2	COMPOSITE FIBRE CROSSARMS SPECIFICATION	237491	
3	HV CONDUCTOR TIE SUPPORT ARRANGEMENTS	514038	
4	20mm EYEBOLT LOADING AND DEVIATION GRAPH	520324	

NETWORK STANDARD
145 NEWCASTLE RD WALLSEND, NSW 2287

SCALE	1:25
DESIGNED	P.JONES
DRAWN	P.RIOS
CHECKED	P.JONES
APPROVED	STEPHEN CONNOR
DATE	20/12/2007
PROJECT NUMBER	STD
PROJTRAK NUMBER	-

STANDARD CONSTRUCTION
33kV DELTA CORNER POLE
TERMINATION CONSTRUCTION
WITH OVERHEAD EARTHWIRE
4-27C/E

SIZE	DRAWING No	SHEET	AMD
A2	174380	1	2