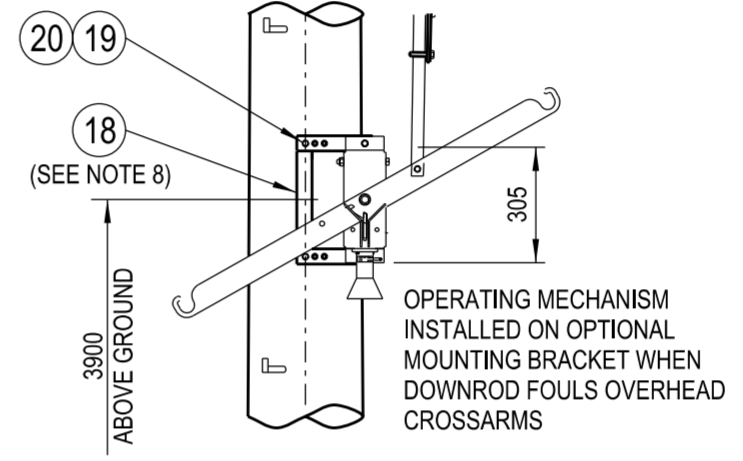
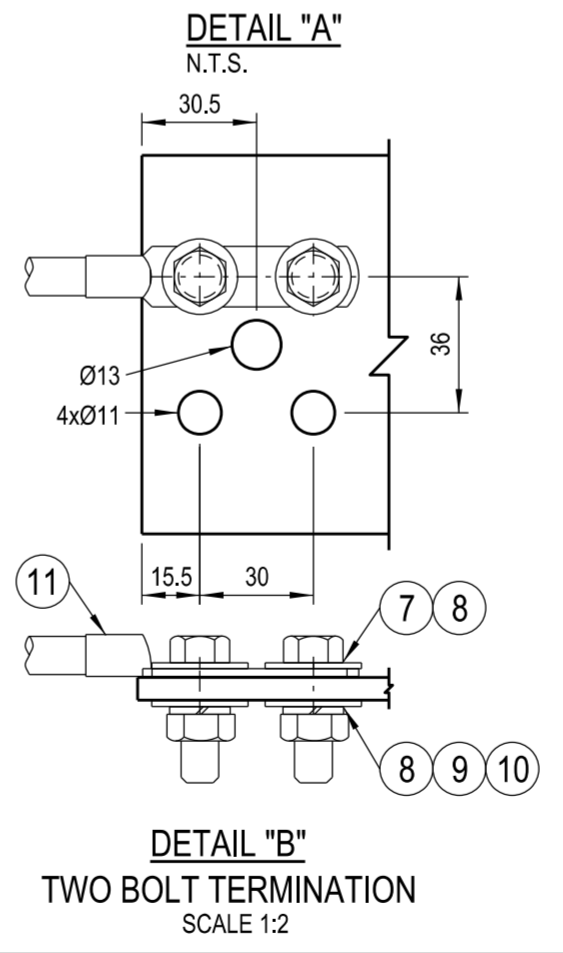
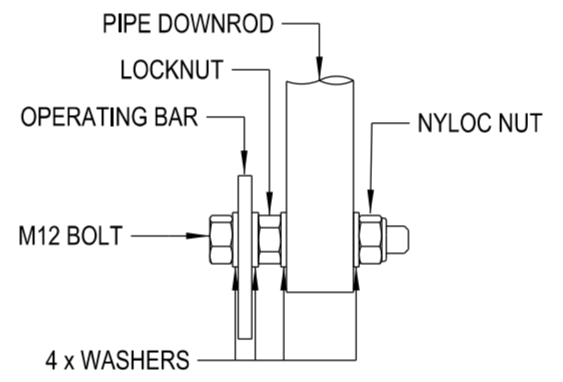


- NOTES :**
1. A MINIMUM DISTANCE OF 2500mm BETWEEN HIGH AND LOW VOLTAGE CONDUCTORS IS TO BE MAINTAINED AT ALL TIMES TO ALLOW FOR LIVE LINE WORKING PROCEDURES.
  2. THE DESIGNER IS TO DETERMINE THE POLE DIAMETER TO ENSURE ELECTRICAL CLEARANCES TO THE CENTRE PHASE SWITCHING MECHANISM CAN BE MAINTAINED. IF MINIMUM CLEARANCES CANNOT BE MAINTAINED, AN ALTERNATE ABS WILL NEED TO SOURCED.
  3. CLEARANCES:  
SOURCE - A.S.2067 (33kV)  
PHASE TO PHASE - 440mm  
PHASE TO EARTH - 380mm
  4. INSTALL AIR BREAK SWITCH ACCORDING TO THE MANUFACTURER'S INSTRUCTIONS.
  5. OPERATING MECHANISM MUST BE INSTALLED ON THE FOOTPATH SIDE OF THE POLE. INSTALLATION ON THE ROAD SIDE OF THE POLE IS NOT ACCEPTABLE.
  6. EYE COACH SCREW IS TO BE INSTALLED 2m ABOVE GROUND LEVEL ON THE FOOTPATH SIDE OF THE POLE FOR ATTACHMENT OF THE OPERATORS "DANGER DO NOT OPERATE" TAG.
  7. FOR INSTALLATION ON A 12.5m POLE, CUT THE INNER STEEL PIPE DOWN TO 1000mm MINIMUM TO 1300mm MAXIMUM.
  8. INSTALL THE ABS OPERATING MECHANISM ON THE OPTIONAL MOUNTING BRACKET WHEN THE INSTALLATION OF THE ABS DOWNROD FOULS WITH THE OVERHEAD CROSSARMS.
  9. WHEN INSTALLING AN ABS ON A CONCRETE OR STEEL POLE, REPLACE THE SUPPLIED DOWN ROD GUIDE WITH THE GUIDE ASSEMBLY SPECIFIED FOR CONCRETE OR STEEL POLES. (ITEM 21)
  10. POLE STEPS ARE TO BE INSTALLED IN ACCORDANCE WITH THE REQUIREMENTS OF NS128.
  11. REFER TO DESIGNER SAFETY REPORT D21/98553 FOR ATYPICAL HAZARDS ASSOCIATED WITH THIS STANDARD CONSTRUCTION..



DISCONNECTOR RATINGS			
VOLTAGE	Ur	36	kV
LIWV	Up	200	kV
RATED CURRENT	Ir	1250	A
FREQUENCY	fr	50	Hz
STWC	Ik	20	Ka
STWC DURATION	tk	1	SEC
CREEPAGE	-	1475	mm
MASS	-	141	kg



ITEM	DESCRIPTION	DRG. No	STOCK CODE	QTY
22	STEP - POLE (FOR USE ON CONCRETE & STEEL POLES) (SEE NOTE 10)	514084	H87809	A/R
	STEP - POLE, SCREW-IN (FOR USE ON TIMBER POLES) (SEE NOTE 10)	250144	185198	
21	GUIDE - ABS, DOWN ROD, ASSEMBLY (FOR USE ON CONCRETE & STEEL POLES) (SEE NOTE 9)	156818		1
20	WASHER - FLAT, M12, GALVANISED (REQ. FOR OPTIONAL OPERATING MECHANISM MTG BRACKET)	518081	177982	4
19	BOLT - M12x40mm, HEX., GALVANISED (REQ. FOR OPTIONAL OPERATING MECHANISM MTG BRACKET ON CONCRETE & STEEL POLES)	515466	46375	4
	SCREW - COACH, M12x50mm, GALVANISED (REQ. FOR OPTIONAL OPERATING MECHANISM MTG BRACKET ON TIMBER POLES)		50476	
18	BRACKET - MOUNTING, FOR OPERATING MECHANISM (SEE NOTE 8)		179824	1
17	BOLT - EYE, M12, GALVANISED (FOR USE ON CONCRETE & STEEL POLES) (SEE NOTE 6)		PURCHASE	1
	SCREW - COACH, EYE, M6 GALVANISED (FOR USE ON TIMBER POLES) (SEE NOTE 6)		PURCHASE	
16	BOLT - M12x40mm, HEX., GALVANISED (FOR USE ON CONCRETE & STEEL POLES)	515466	46375	1
	SCREW - COACH, M12x50mm, GALVANISED (FOR USE ON TIMBER POLES)		50476	
15	WASHER - FLAT, M12, GALVANISED	518081	177982	3
14	WASHER - SPRING, M12, GALVANISED (FOR USE ON CONCRETE & STEEL POLES)	518082	H12047	1
	WASHER - CONICAL, M12, GALVANISED (FOR USE ON TIMBER POLES)	518082	H39639	
13	WASHER - SQUARE, 50x50x6mm (Ø14mm HOLE)			1
12	BOLT & NUT - M12, HEX., GALVANISED (LENGTH TO SUIT POLE)	515466		1
11	LUG - COMPRESSION, BI-METALLIC, 2xM10 HOLES (TO SUIT CONDUCTOR)	514053		6
10	NUT - M10, HEX., STAINLESS STEEL	515467	H39401	12
9	WASHER - SPRING, M10, STAINLESS STEEL	518082	50120	12
8	WASHER - FLAT, M10, STAINLESS STEEL	518081	49411	24
7	SCREW - SET, M10x30mm, HEX., STAINLESS STEEL	515467	45088	12
6	WASHER - FLAT, M20, GALVANISED	518081	177986	3
5	WASHER - SPRING, M20, GALVANISED (FOR USE ON CONCRETE & STEEL POLES)	518082	175569	3
	WASHER - CONICAL, M20, GALVANISED (FOR USE ON TIMBER POLES)	518082	H39655	
4	WASHER - SQUARE, 75x75x6mm (Ø22mm HOLE)	518081	H39231	6
3	BOLT & NUT - M20, HEX., GALVANISED (LENGTH TO SUIT POLE)	515466		3
2	DISCONNECTOR - 36kV, 1250A, UNITISED, NON LOAD BREAK, MODULAR (SEE NOTES 2, 4 & 5)	242601	PURCHASE	1
1	POLE - AS REQUIRED			1

**AMENDMENTS**

NO.	DESCRIPTION

20110901

1 2 3 4 5 6 7 8

SCALE 1:20

DESIGNED **P.JONES**

DRAWN **P.RIOS**

CHECKED **R.HAMILTON**

APPROVED **G.FORD**

DATE **06/05/2021**

PROJECT NUMBER **STD**

PROJTRAK NUMBER **-**

SIZE **A2**

DRAWING No **166707**

SHEET **03**

AMD **0**

STANDARD CONSTRUCTION  
36kV 1250A NON LOAD BREAK INSULECT  
MID POLE OPERATED AIR BREAK SWITCH  
FOR TIMBER, CONCRETE & STEEL POLES  
GENERAL ARRANGEMENT 4-455

NETWORK STANDARD  
**Ausgrid**  
145 NEWCASTLE RD WALLSEND,  
NSW 2287

ASSOCIATED DRAWINGS