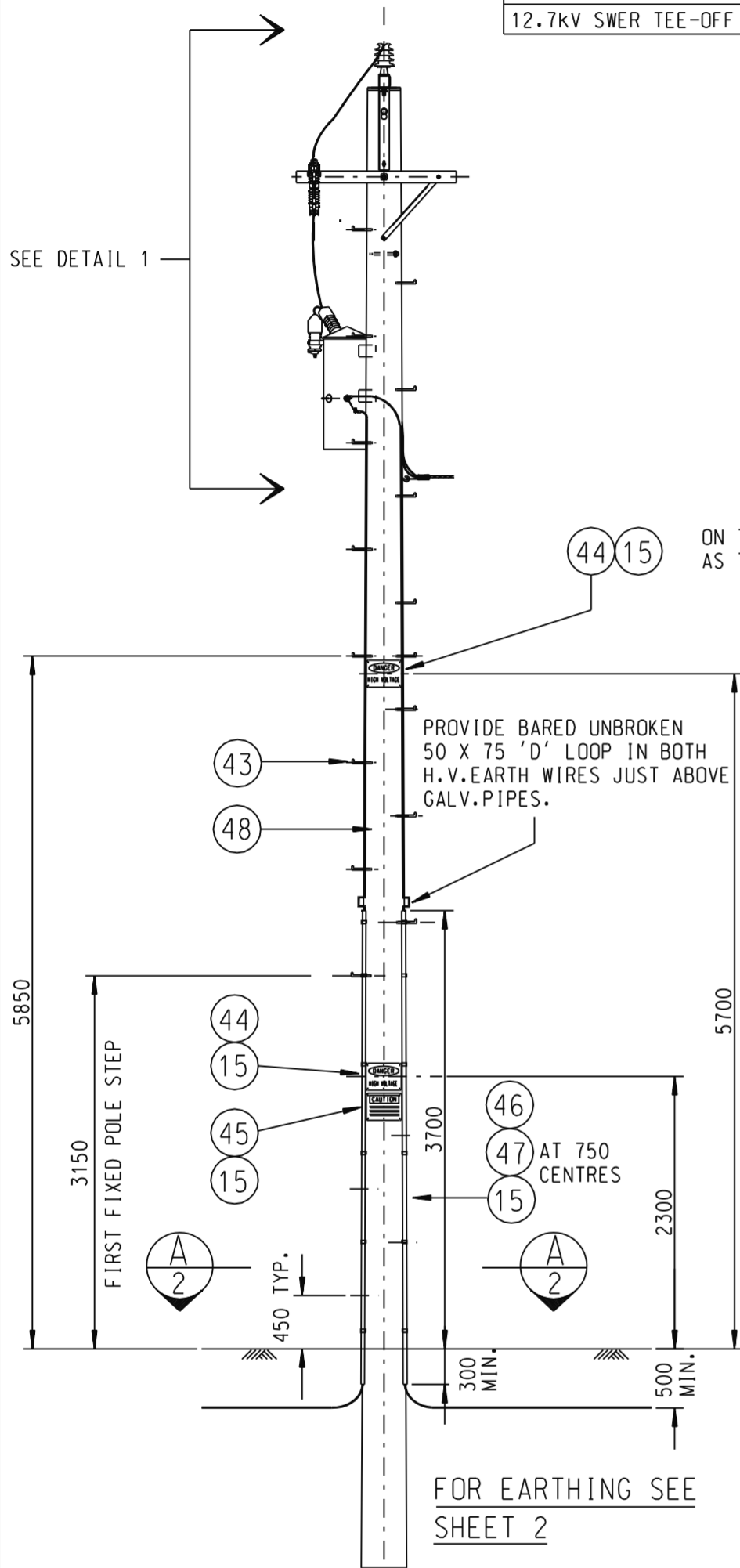
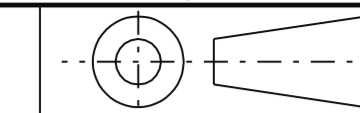


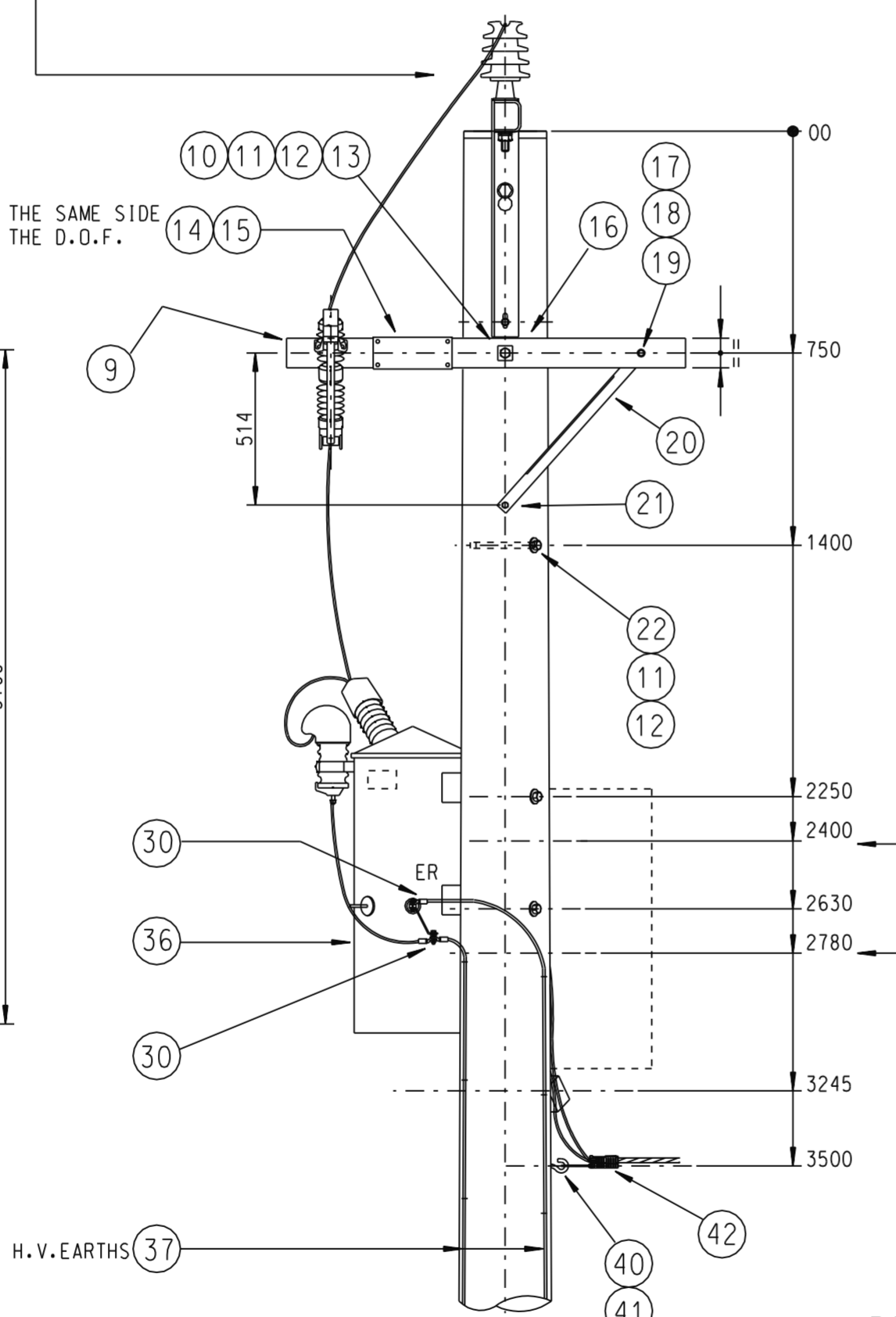
NOTE: ALL DIMENSIONS ARE IN mm U.N.O.

MAINS OVERHEAD MANUAL VOLUME 4.	
CONSTRUCTION TYPES	SECTION
12.7kV SWER PIN CONSTRUCTION	2-201
12.7kV SWER ANGLE CONSTRUCTION	2-203
12.7kV SWER SINGLE TERMINATION	2-210
12.7kV SWER THROUGH TERMINATION	2-211
12.7kV SWER TEE-OFF CONSTRUCTION	2-214

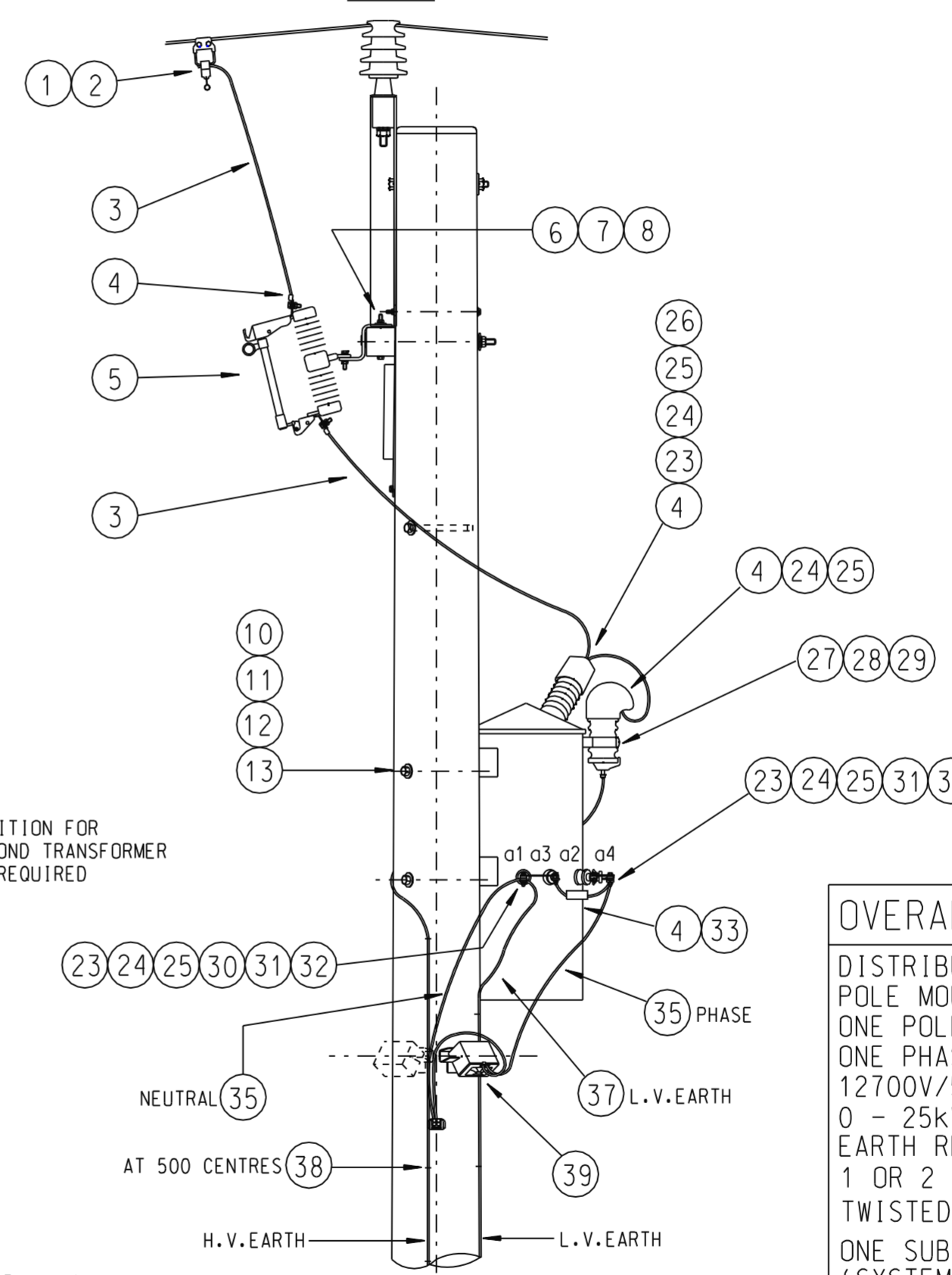
NOTE:  
THE EQUIPMENT POSITION SHOWN IS TYPICAL ONLY. DURING CONSTRUCTION, POSITION TRANSFORMER 45° AROUND FROM O.H. LINE ON THE SIDE OF THE POLE THAT SUITS THE L.V. MAINS TAKEOFF. MOUNT THE DROPOUT FUSE ABOVE THE TRANSFORMER AS SHOWN. A SECOND TRANSFORMER MAY BE MOUNTED IN THE ALTERNATE POSITION.



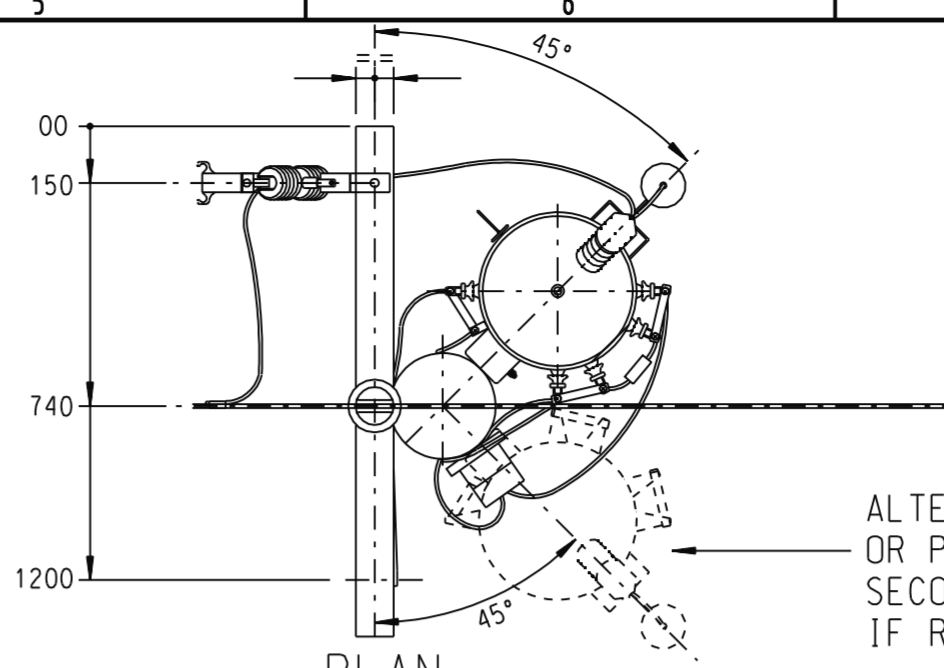
ELEVATION  
SCALE: 1:50



REAR ELEVATION



SIDE ELEVATION



PLAN

ALTERNATE POSITION OR POSITION FOR SECOND TRANSFORMER IF REQUIRED.

DETAIL 1  
SCALE: 1:20

OVERALL SUBSTATION DESCRIPTION  
DISTRIBUTION SUBSTATION TYPE 1PWS7A  
POLE MOUNTED  
ONE POLE - TIMBER  
ONE PHASE  
12700V/500-250V  
0 - 25kVA 1 PHASE POLE HUNG SINGLE WIRE  
EARTH RETURN TRANSFORMER (SWER)  
1 OR 2 CUSTOMERS  
TWISTED SERVICE MAINS FROM CROSSARM  
ONE SUBSTATION IDENTIFICATION NUMBER (SYSTEM NUMBER)  
TRANSFORMER LIFTING BY EYEBOLT USING POLE LIFTING GEAR OR BY CRANE.

CAD DRAWING	DO NOT MANUALLY AMEND
AMENDMENT NOTES	
A. INITIAL ISSUE	DWN: JC CHKED: W.C.
B. DATE:	
AUTH'D BY:	

MATERIALS LIST	SHEET 3
SCHEMATIC DIAGRAMS	SHEET 2
ASSOCIATED DRAWINGS	
DRAWING AUTHORISED by	
DATE: 31/10/95	

STANDARD CONSTRUCTION  
DISTRIBUTION SUBSTATION TYPE 1PWS7A  
1 PHASE SWER 12.7kV  
GENERAL ARRANGEMENT

SCALE: AS SHOWN	Energy Australia COPYRIGHT © 2002
DATE: 22/8/95	
DRAWN: J. CARLIN	ENGINEERING HUNTER
CHECKED:	
A2 63882	A AMENDMENT
	SHEET 1 OF 3