

A

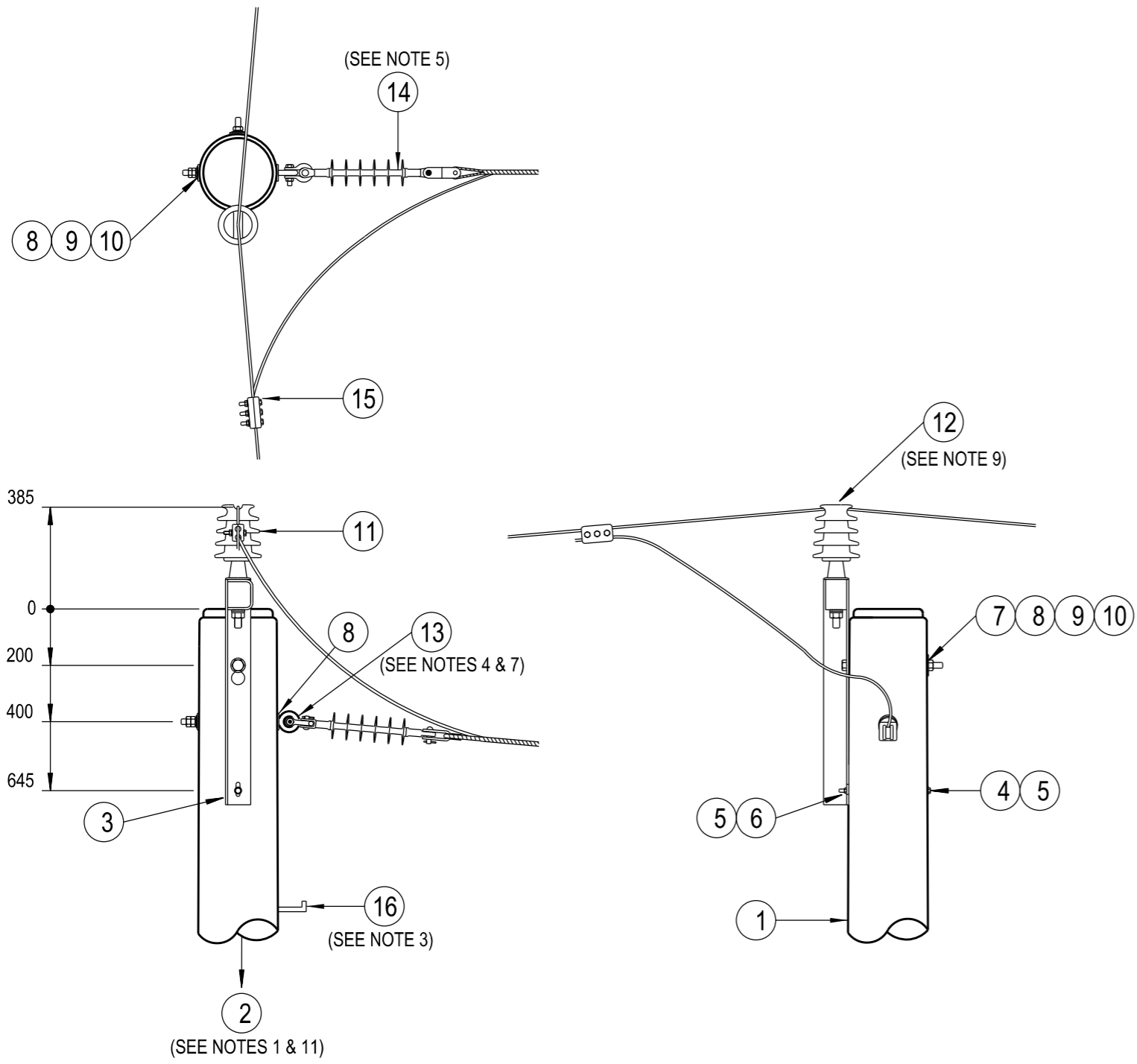
B

C

D

E

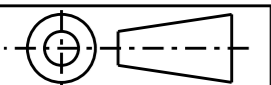
F



**NOTES :**

1. THE FOLLOWING INFORMATION IS OBTAINED FROM THE PROJECT DESIGN DRAWINGS:
  - a. POLE LENGTH AND STRENGTH.
  - b. SPECIAL FOUNDATION REQUIREMENTS.
  - c. POLE EMBEDMENT DEPTH.
  - d. PHASE CONDUCTOR SIZE.
  - e. STAY REQUIREMENTS.
  - f. DEVIATION ANGLE.
  - g. ASSESSED EARTHING REQUIREMENTS.
2. THE MAXIMUM LINE DEVIATION ANGLE TO BE CONSTRUCTED ON THIS ARRANGEMENT IS TO BE DETERMINED BY THE LINE DESIGNER.
3. POLE STEPS ARE TO BE INSTALLED IN ACCORDANCE WITH THE REQUIREMENTS OF NS128.
4. THE LOAD AND DEVIATION ALLOWABLE ON THE EYEBOLT IS TO BE DETERMINED FROM DRG: 520324.
5. LONGROD INSULATORS TO BE USED UNDER NORMAL CONDITIONS.
6. POLES SHALL BE DRILLED, SCARFED AND DRESSED ON SITE. DRILLING AND SCARFING TO BE TREATED WITH APPROVED PRESERVATIVES.
7. EYEBOLTS ARE TO BE INSTALLED IN THE DIRECTION OF THE OVERHEAD CONDUCTORS.
8. ALL BOLTS PASSING THROUGH TIMBER ARE TO BE COATED WITH GRAPHITE GREASE.
9. IF THE CONDUCTOR DEVIATES AT THE INSULATOR, USE THE ANGLE TYPE CONDUCTOR TIE ARRANGEMENT, OTHERWISE USE THE INTERMEDIATE TYPE CONDUCTOR TIE ARRANGEMENT AS SHOWN ON DRG: 514038.
10. IF AN ADDITIONAL TEE-OFF IS ATTACHED TO THIS CONSTRUCTION, IT IS TO BE INSTALLED 150mm BELOW THE POLE TOP BRACKET BOTTOM LOCATING BOLT.
11. USE POLE FOOTING ARRANGEMENT ON DRG: 508726 UNLESS STATED OTHERWISE.
12. REFER TO DESIGNER SAFETY REPORT D21/125743 FOR ATYPICAL HAZARDS ASSOCIATED WITH THIS STANDARD CONSTRUCTION.

16	STEP - POLE, SCREW-IN (SEE NOTE 3)	250144	185198	A/R
15	CLAMP - PARALLEL GROOVE, 3-BOLT (TO SUIT CONDUCTOR)	514053		1
14	INSULATOR - 11/22kV LONGROD, STRING ARRANGEMENT AR-2 (SEE NOTE 5)	565715		1
13	EYEBOLT - M20, GALVANISED (LENGTH TO SUIT POLE) (SEE NOTES 4 & 7)	513653		1
12	TIE - CONDUCTOR, HIGH VOLTAGE, SUPPORT ARRANGEMENT (SEE NOTE 9)	514038		1m
11	INSULATOR - 11/22kV, AERODYNAMIC, (22/450) & PIN ARRANGEMENT	513997		1
10	WASHER - FLAT, M20, GALVANISED	518081	177986	2
9	WASHER - CONICAL, M20, GALVANISED	518082	H39655	2
8	WASHER - SQUARE, 75x75x6mm, GALVANISED ((Ø22mm HOLE)	518081	H39231	3
7	BOLT & NUT - M20, HEX., GALVANISED (LENGTH TO SUIT POLE)	515466		1
6	WASHER - CONICAL, M12, GALVANISED	518082	H39639	1
5	WASHER - FLAT, M12, GALVANISED	518081	177982	2
4	BOLT & NUT - M12, HEX., GALVANISED (LENGTH TO SUIT POLE)	515466		1
3	BRACKET - POLE TOP, GALVANISED	514380	H17314	1
2	FOOTING - TIMBER POLE, ARRANGEMENT (SEE NOTES 1 & 11)	508726		1
1	POLE - TIMBER (AS REQUIRED)	513988		1
ITEM	DESCRIPTION	DRG. No	STOCK CODE	QTY



ALL DIMENSIONS IN MILLIMETRES UNLESS NOTED OTHERWISE. DO NOT SCALE.

CAD DRAWING DO NOT MANUALLY AMEND A M E N D M E N T S	DWN: PATRICIA RIOS	AUTH'D by: STEPHEN CONNOR	DWN: PATRICIA RIOS
	CHKD: PHIL JONES		CHKD: PHILIP JONES
01 DATE: 22/06/2006 DRG NUMBER UPDATED TO 500,000 SERIES. STOCK CODES REMOVED. SHEET SIZE CHANGED.	2 DATE: 26/05/2021 M20 WASHER ADDED. ITEM 14 ARRANGEMENT UPDATED. NOTES & MATERIAL LIST AMENDED.		APP'D by: GLENN FORD

NETWORK STANDARD

145 NEWCASTLE RD WALLSEND,  
NSW 2287

SCALE	1:20	STANDARD CONSTRUCTION 12.7kV SWER TEE-OFF TERMINATION CONSTRUCTION 2-214			
DESIGNED	-				
DRAWN	P.S				
CHECKED	-				
APPROVED	R.BREMPELL				
DATE	31/05/95				
PROJECT NUMBER	NET STD				
PROJTRAK NUMBER	-	SIZE A3	DRAWING No 520295	SHEET 01	AMD 2