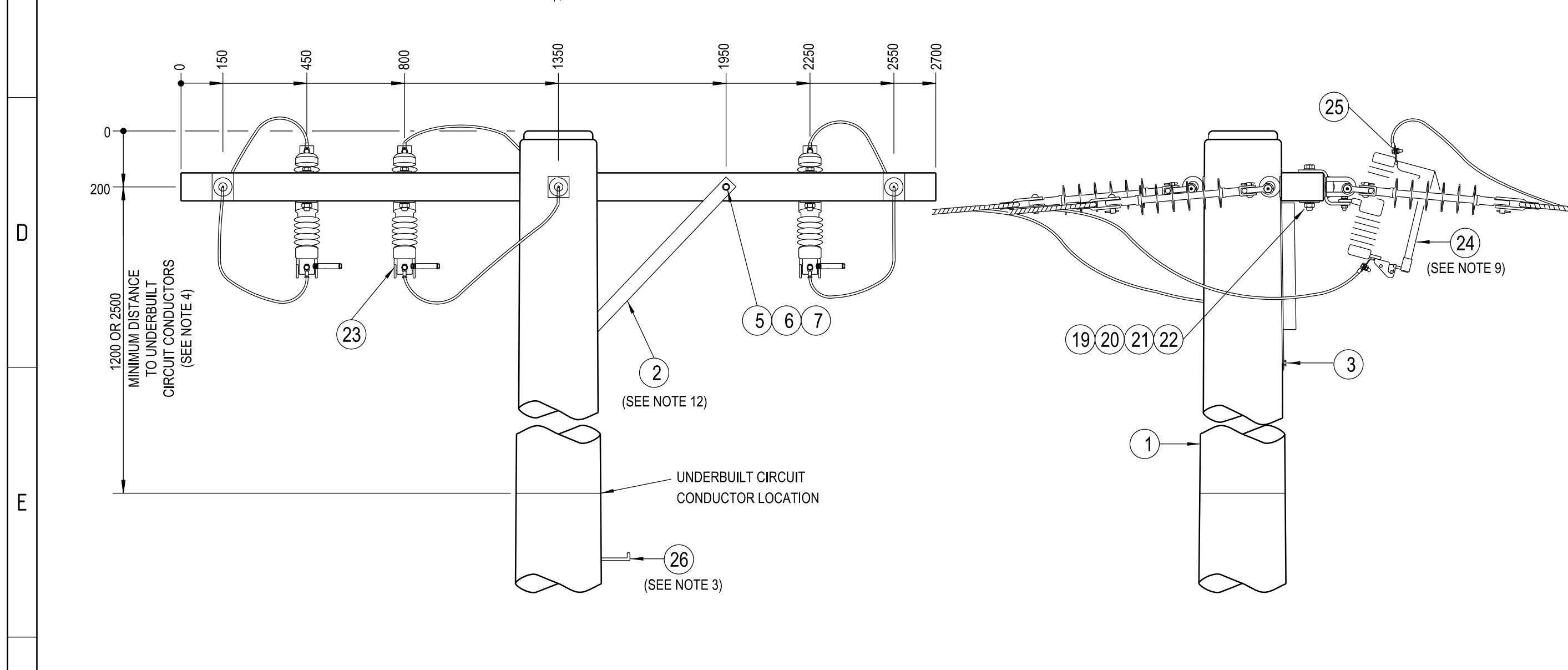


- NOTES :**
- THE FOLLOWING INFORMATION IS OBTAINED FROM THE PROJECT DESIGN DRAWINGS :
    - POLE LENGTH AND STRENGTH.
    - SPECIAL FOUNDATION REQUIREMENTS.
    - POLE EMBEDMENT DEPTH.
    - CONDUCTOR SIZE.
    - CROSSARM SIZE AND BRACE REQUIREMENTS.
    - STAY REQUIREMENTS.
    - DEVIATION ANGLE.
    - ASSESSED EARTHING REQUIREMENTS.
  - THE MAXIMUM LINE DEVIATION ANGLE TO BE CONSTRUCTED ON THIS ARRANGEMENT IS TO BE DETERMINED BY THE LINE DESIGNER.
  - POLE STEPS ARE TO BE INSTALLED IN ACCORDANCE WITH THE REQUIREMENTS OF NS126.
  - IN AREAS WHERE THE 11kV NETWORK CANNOT BE WORKED ON USING LIVE LINE TECHNIQUES, UNDERBUILT CIRCUITS SHALL BE INSTALLED WITH A MINIMUM CLEARANCE OF 1200mm. IN AREAS WHERE THE 11kV NETWORK CAN BE WORKED ON USING LIVE LINE TECHNIQUES, UNDERBUILT CIRCUITS SHALL BE INSTALLED WITH A MINIMUM CLEARANCE OF 2500mm.
  - THE LOAD AND DEVIATION ALLOWABLE ON THE EYEBOLT AND EYENUT ASSEMBLY IS TO BE DETERMINED FROM DRG : 520331.
  - LONGROD INSULATORS TO BE USED UNDER NORMAL CONDITIONS.
  - POLES SHALL BE DRILLED, SCARFED AND DRESSED ON SITE. DRILLING AND SCARFING TO BE TREATED WITH APPROVED PRESERVATIVES.
  - ALL BOLTS AND INSULATOR PINS PASSING THROUGH TIMBER ARE TO BE COATED WITH GRAPHITE GREASE.
  - THE RATING OF THE FUSE ELEMENT IS TO BE SELECTED TO COMPLY WITH THE REQUIREMENTS OF TECHNICAL GUIDE T0024.
  - A 2700mm CROSSARM IS TO BE USED AS THE DEFAULT CROSSARM. FOR NARROW FEEDER ALIGNMENTS, A 2400mm CROSSARM MAY BE CONSIDERED TO OVERCOME DESIGN AND SITE CONSTRAINTS. A 3000mm STEEL CROSSARM IS TO BE USED WHEN THE MAXIMUM LOAD OF A TIMBER CROSSARM IS EXCEEDED.
  - ONLY THE 2700mm CROSSARM OPTION IS SHOWN ON THIS CONSTRUCTION DRAWING. REFER TO DRGS : 15232 & 514377 FOR DRILLING PATTERN OF ALTERNATE CROSSARMS.
  - THE 920mm CROSSARM BRACE IS TO BE USED ON A 2700mm & 3000mm CROSSARM. THE 740mm CROSSARM BRACE IS TO BE USED ON A 2400mm CROSSARM.



ITEM	DESCRIPTION	DRG. No	STOCK CODE	QTY
26	STEP - POLE, SCREW-IN (SEE NOTE 3)	250144	185198	A/R
25	LUG - COMPRESSION (TO SUIT CONDUCTOR)	514053		6
24	FUSE - ELEMENT 11kV DROPOUT (FOR USE WITH FUSE HOLDER ) (SEE NOTE 9)			3
23	LINK - ISOLATING, 12/24kV, OUTDOOR, SINGLE INSULATOR		58750	3
	FUSEHOLDER - BASE & CARRIER, 12/24kV EXPULSION DROPOUT, 150MVA, 8kA		H84350	3
22	WASHER - FLAT, M16, GALVANISED	518081	177984	3
21	WASHER - CONICAL, M16, GALVANISED	518082	H39647	3
20	WASHER - SQUARE, 50x50x6mm, GALVANISED (Ø18mm HOLE)	518081	H39257	3
19	BOLT & NUT - M16x140mm, HEX., GALVANISED	515466	H37506	3
18	INSULATOR - 11/22kV LONGROD, STRING ARRANGEMENT AR -2	565715		6
17	BLOCK - GAIN, ALUMINIUM, 100mm (USE WITH 2400mm, 2700mm & 3000mm CROSSARMS)		146274	1
16	EYENUT - M20, GALVANISED (SEE NOTE 6)	513951	H38853	3
15	WASHER - FLAT, M20, GALVANISED (USE WITH 2400mm & 2700mm CROSSARMS)	518081	177986	2
14	WASHER - FLAT, M20, GALVANISED	518081	177986	1
13	WASHER - LIP, M24, GALVANISED (USE WITH 2400mm, 2700mm & 3000mm CROSSARMS)	518081	176912	5
12	WASHER - SPRING, M20, GALVANISED (USE WITH 3000mm CROSSARM)	518082	175569	2
11	WASHER - CONICAL, M20, GALVANISED (USE WITH 2400mm & 2700mm CROSSARMS)	518082	H39655	1
10	EYEBOLT - M20x200mm, GALVANISED (SEE NOTE 5)	513653	H37881	2
9	WASHER - CONICAL, M20, GALVANISED	518082	H39655	1
8	WASHER - SQUARE, 75x75x6mm, GALVANISED (Ø22mm HOLE)	518081	H39231	1
7	EYEBOLT - M20, GALVANISED (LENGTH TO SUIT POLE) (SEE NOTE 5)	513653		1
6	WASHER - SPRING, M12, GALVANISED (USE WITH 3000mm CROSSARM)	518082	H12047	1
5	WASHER - CONICAL, M12, GALVANISED (USE WITH 2400mm & 2700mm CROSSARMS)	518082	H39639	1
4	WASHER - FLAT, M12, GALVANISED	518081	177982	2
3	BOLT & NUT - M12x150mm, HEX., GALVANISED (USE WITH 2400mm CROSSARM)	515466	46847	1
2	BOLT & NUT - M12x180mm, HEX., GALVANISED (USE WITH 2700mm & 3000mm CROSSARMS)	515466	46888	1
1	CROSSARM - 3000x150x100x5mm, RHS, GALVANISED (SEE NOTES 10 & 11)	514377	H23787	1
	CROSSARM - 2400x125x100mm, TYPE H2, HARDWOOD (SEE NOTES 10 & 11)	15232	71910	1
	CROSSARM - 2700x150x100mm, TYPE C, HARDWOOD (SEE NOTES 10 & 11)	514373	H23907	1
	SCREW - COACH, M12x100mm, GALVANISED		H40484	1
	BRACE - CROSSARM, ANGLE, TYPE H, 740mm, GALVANISED (SEE NOTE 12)	46	99119	1
	BRACE - CROSSARM, ANGLE, 920mm, GALVANISED (SEE NOTE 12)	514381	H17283	1
	POLE - TIMBER (AS REQUIRED)	513988		1

ALL DIMENSIONS IN MILLIMETRES UNLESS NOTED OTHERWISE. DO NOT SCALE.

CAD DRAWING  
DO NOT MANUALLY AMEND  
AMENDMENTS  
DWN: PATRICIA RIOS  
CHKD: PHIL JONES  
DATE: 02/04/2008  
STOCK CODE CHANGED ON ITEM 19.  
APP'D by: GLENN FORD  
DWN: PATRICIA RIOS  
CHKD: PHILIP JONES  
DATE: 16/08/2019  
M20 FLAT WASHER & 240mm CROSSARM OPTION ADDED.  
NOTES & MATERIAL LIST AMENDED.  
SHEET SIZE CHANGED.  
APP'D by: GLENN FORD

ITEM	DESCRIPTION	DRG. No	STOCK CODE	QTY
	HV TERMINATION STEEL CROSSARM CONSTRUCTION DETAILS	514377		
	WOODEN CROSSARMS FOR 11kV LINES	15232		
	20mm EYEBOLT & EYENUT ASSEMBLY LOADING & DEVIATION GRAPH	520331		
	ASSOCIATED DRAWINGS			

NETWORK STANDARD  
**Ausgrid**  
145 NEWCASTLE RD WALLSEND, NSW 2287

SCALE	1:15	STANDARD CONSTRUCTION			
DESIGNED	-	11kV THROUGH TERMINATION			
DRAWN	J.U	CONSTRUCTION WITH			
CHECKED	P.A.S	DROPOUT FUSES OR ISOLATING LINKS			
APPROVED	I.NICHOLS	2-60			
DATE	09/11/94				
PROJECT NUMBER	STD				
PROJ/TRAK NUMBER	-	SIZE	DRAWING No	SHEET	AMD
		A2	514007	01	12