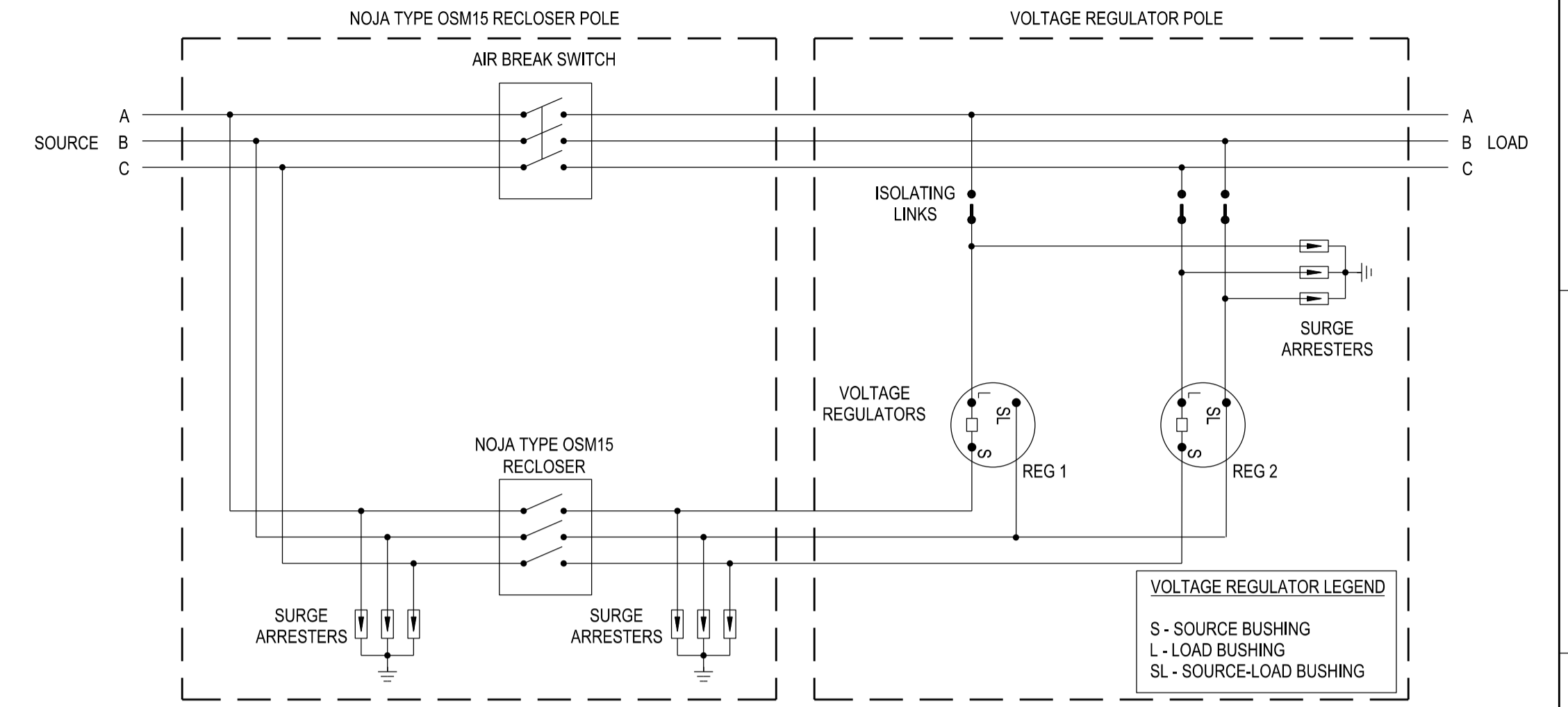
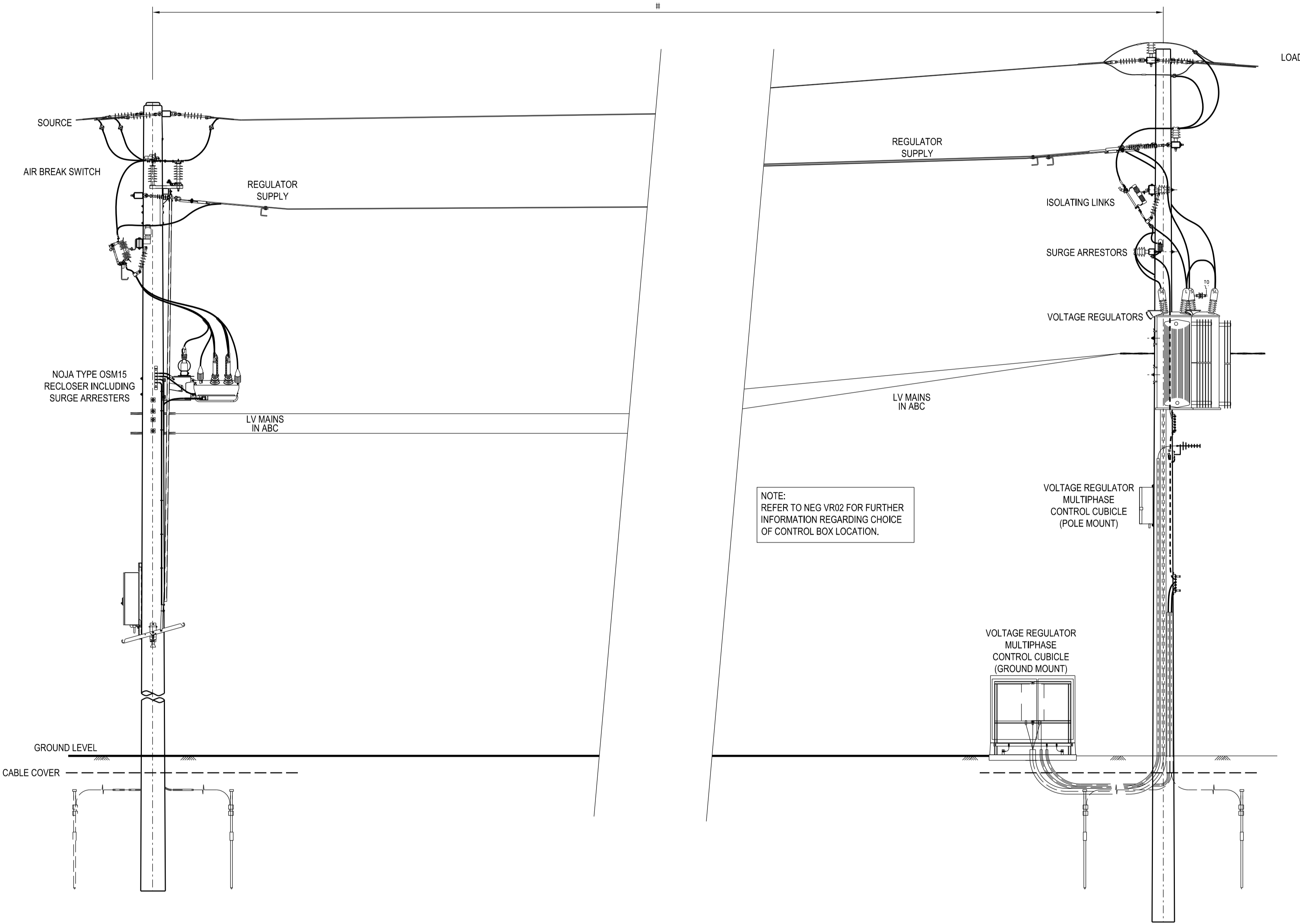
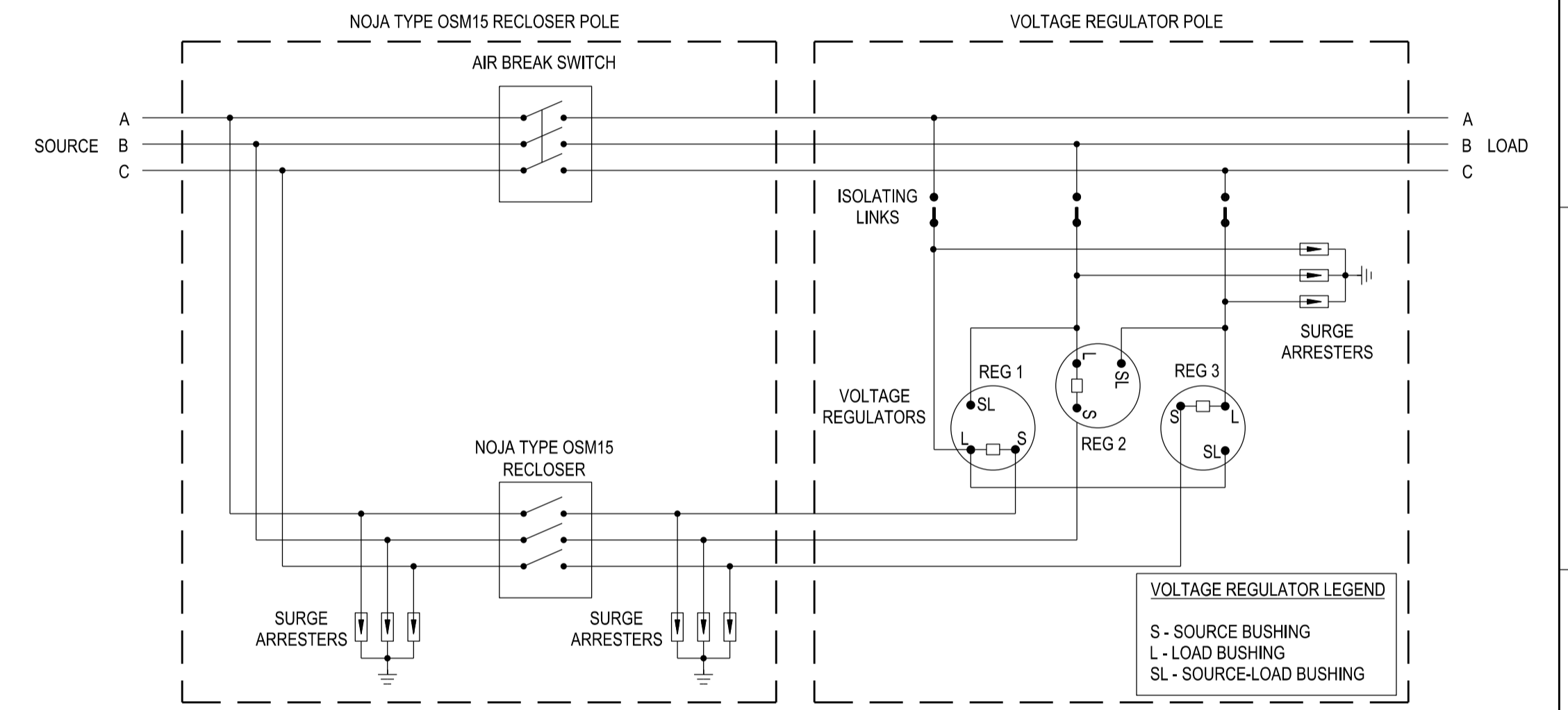


THE DISTANCE BETWEEN POLES IS TO BE CALCULATED FOR EACH SITE BY REGIONAL PROTECTION STAFF. REFER TO NEG VR02 FOR FURTHER INFORMATION



TWO SINGLE PHASE REGULATOR UNITS CONNECTED IN OPEN DELTA



THREE SINGLE PHASE REGULATOR UNITS CONNECTED IN CLOSED DELTA

NOTE: REFER TO NEG VR02 FOR FURTHER INFORMATION REGARDING CHOICE OF CONTROL BOX LOCATION.

AN EARTHING DESIGN MUST BE UNDERTAKEN FOR EACH SITE. THE EARTHING SHOWN ON THIS DRAWING IS INDICATIVE ONLY.

THIS DRAWING IS TO BE READ IN CONJUNCTION WITH NEG VR02

NOJA TYPE OSM15 RECLOSER CONTROLLING POLE MOUNTED REGULATOR REFER DRAWING 273250 SCALE 1:50

EATON COOPER POWER SYSTEMS POLE MOUNTED REGULATOR 2 UNIT POLE MOUNTED REGULATOR WITH GROUND MOUNT CONTROL PANEL - REFER DRAWING 224401 2 UNIT POLE MOUNTED REGULATOR WITH POLE MOUNT CONTROL PANEL - REFER DRAWING 224402 3 UNIT POLE MOUNTED REGULATOR WITH GROUND MOUNT CONTROL PANEL - REFER DRAWING 224229 SCALE 1:50

ASSOCIATED DRAWINGS	
11kV POLE MOUNTED VOLTAGE REGULATOR CONTROLLING NOJA TYPE OSM15 RECLOSER	273250
11kV POLE MOUNTED 2 UNIT VOLTAGE REGULATOR WITH GROUND MOUNT CONTROL PANEL	224401
11kV POLE MOUNTED 2 UNIT VOLTAGE REGULATOR WITH POLE MOUNT CONTROL PANEL	224402
11kV POLE MOUNTED 3 UNIT VOLTAGE REGULATOR WITH GROUND MOUNT CONTROL PANEL	224229
EATON COOPER POWER SYSTEMS 100A & 200A POLE MOUNTED REGULATOR MOUNTING FRAME	181618
11kV POLE MOUNTED VOLTAGE REGULATOR GROUND MOUNTED FIBREGLASS CABINET CONCRETE FOOTING DETAILS	191227

NETWORK STANDARD

 42 HONEYSUCKLE DRIVE,
 NEWCASTLE WEST NSW 2300

SCALE	AS SHOWN
DESIGNED	P. JONES
DRAWN	P. RIOS
CHECKED	D. OZGUR
APPROVED	G. FORD
DATE	15/04/2026
PROJECT NUMBER	STD
TRIM REF NUMBER	-

STANDARD CONSTRUCTION	
11kV POLE MOUNTED VOLTAGE REGULATOR WITH CONTROLLING NOJA TYPE OSM15 RECLOSER GENERAL ARRANGEMENT	
SIZE	DRAWING No
A1	273251
SHEET	REV
1	0

CAD DRAWING
 DO NOT MANUALLY AMEND
 AMENDMENTS