

A

B

C

D

E

F

A

B

C

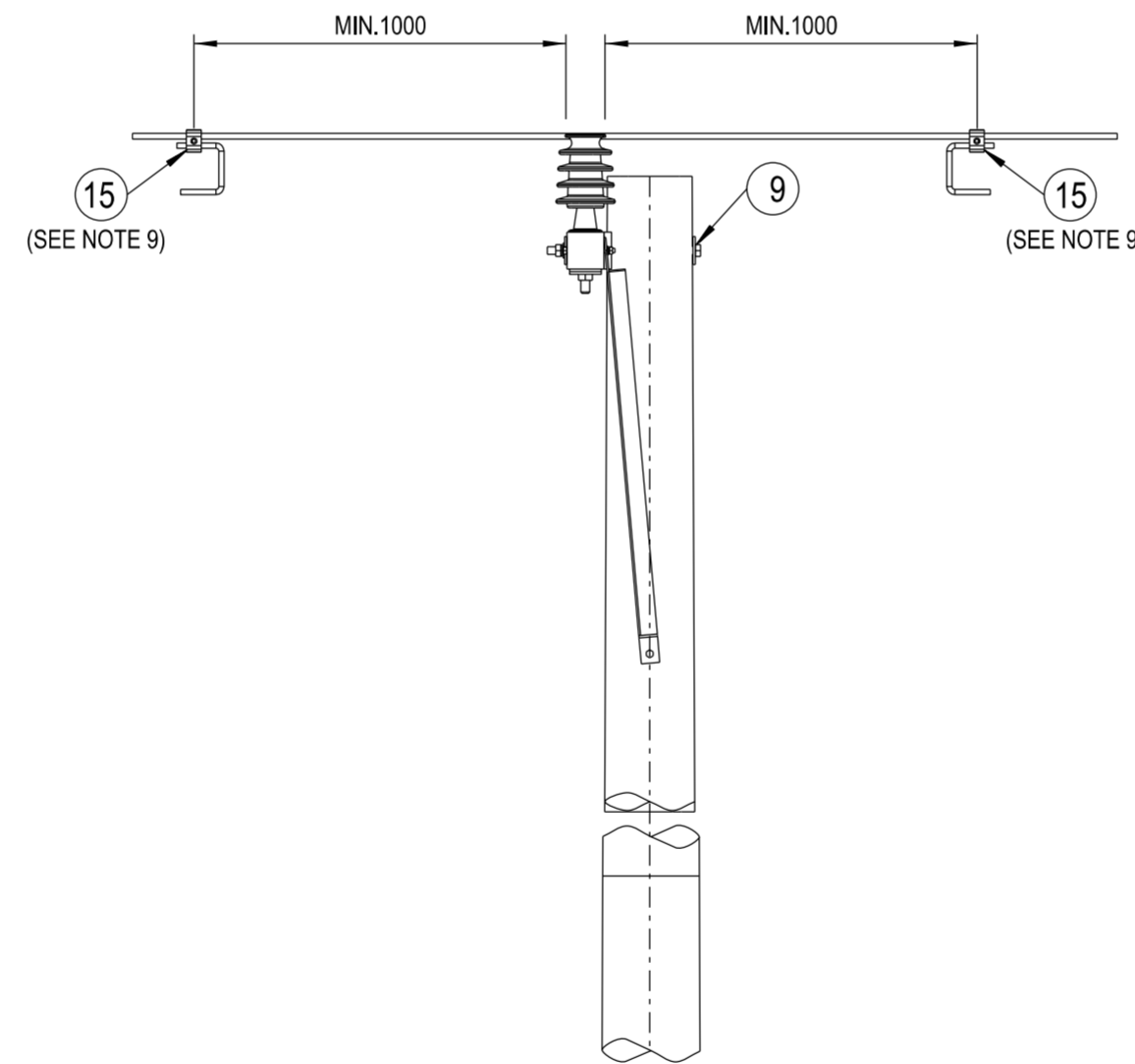
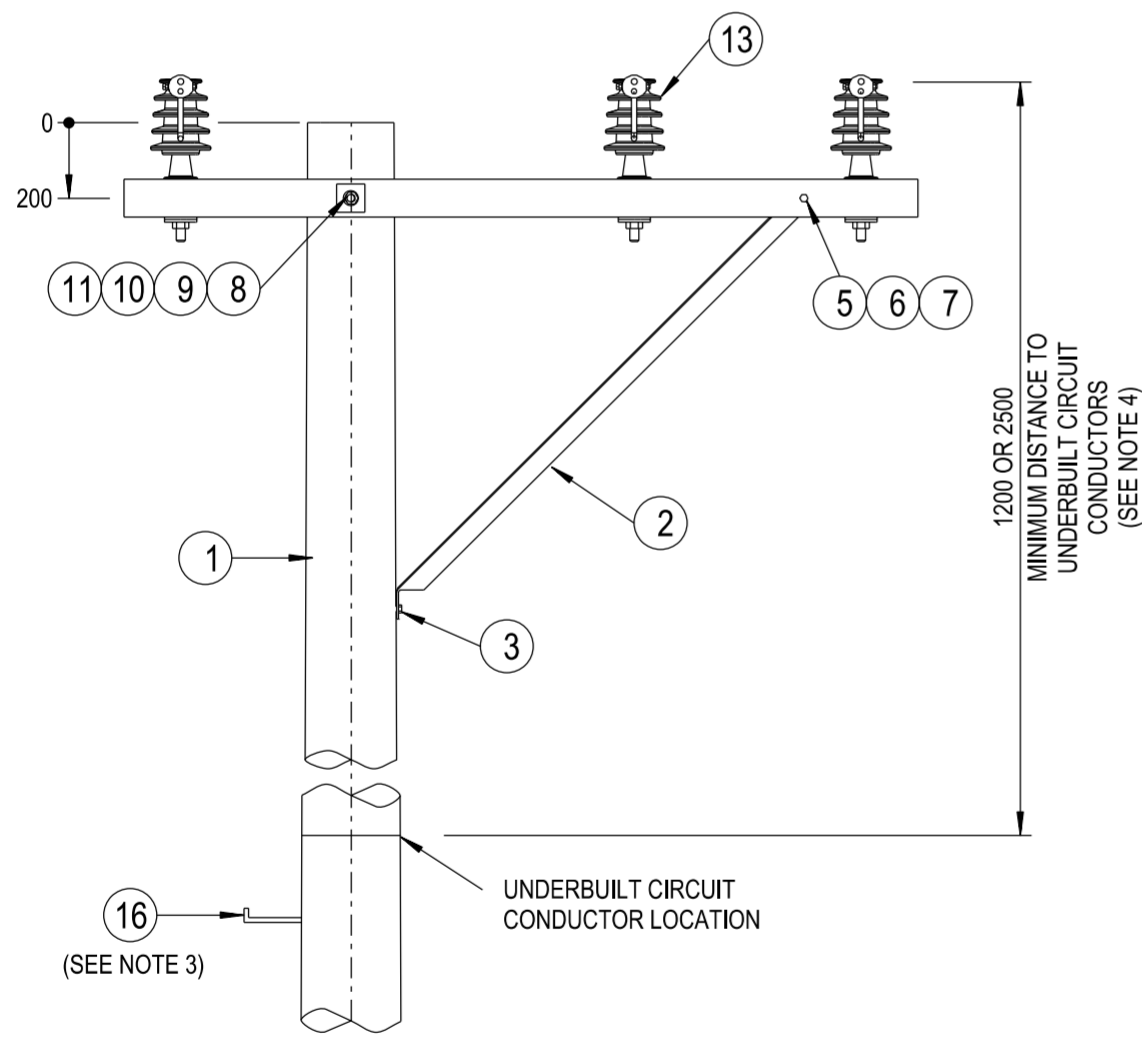
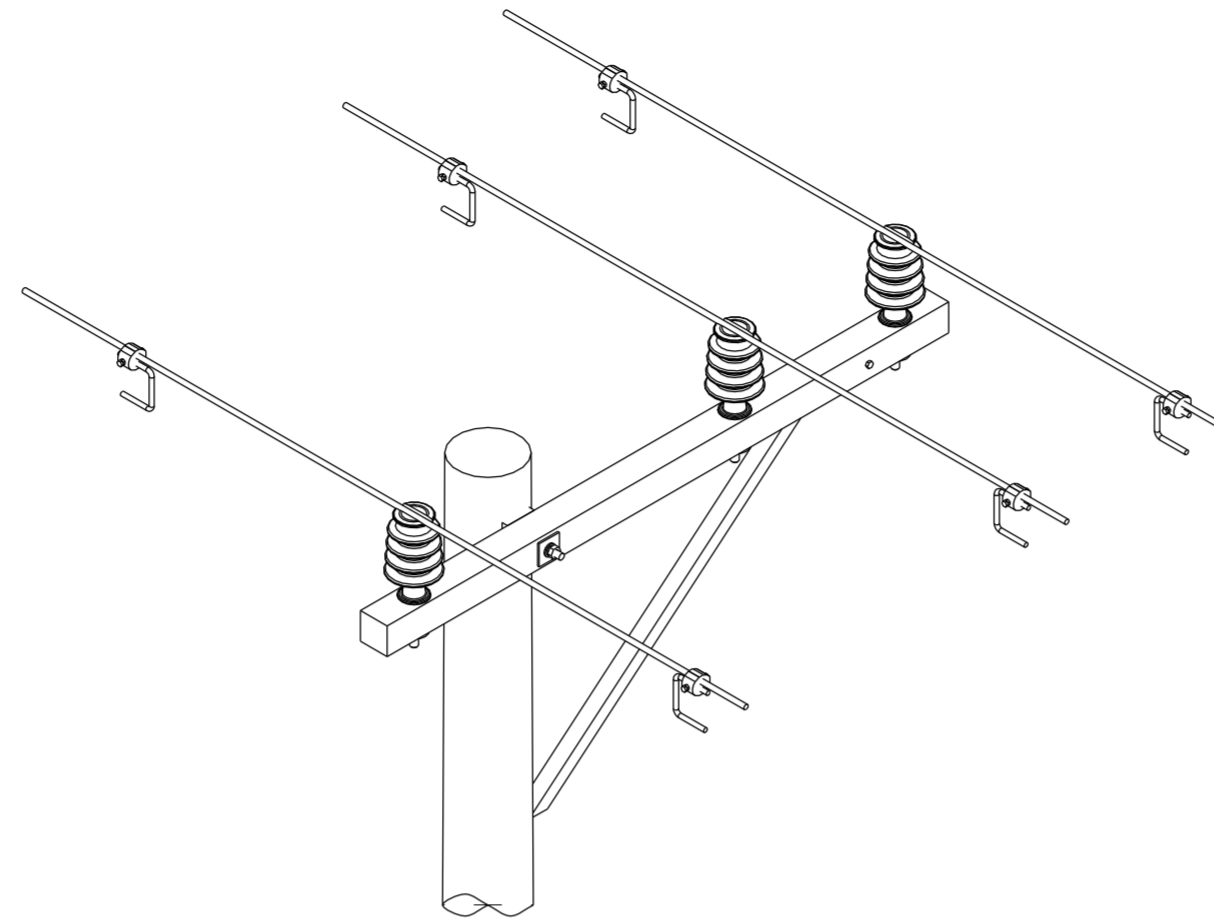
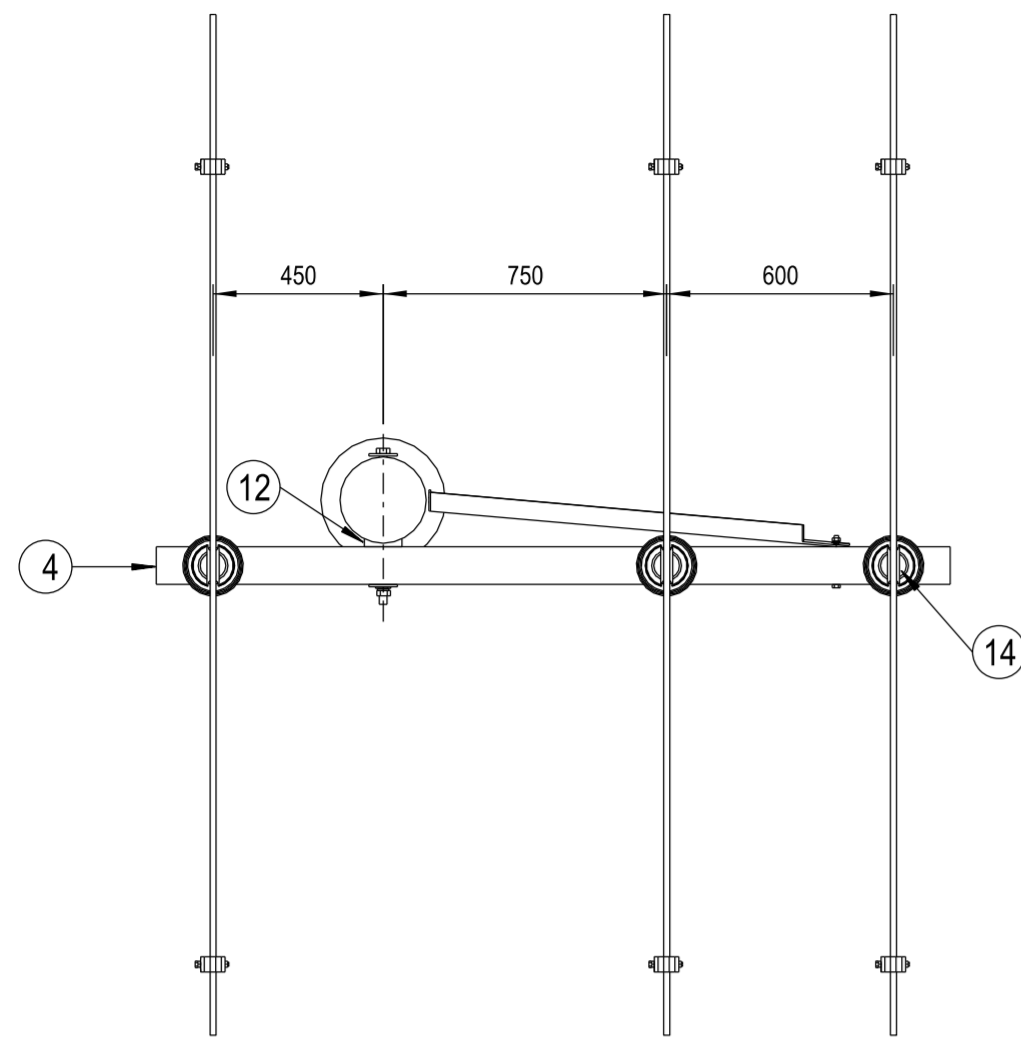
D

E

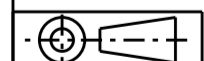
F

NOTES :

1. THE FOLLOWING INFORMATION IS OBTAINED FROM THE PROJECT DESIGN DRAWINGS:
 - a. POLE LENGTH AND STRENGTH.
 - b. SPECIAL FOUNDATION REQUIREMENTS.
 - c. POLE EMBEDMENT DEPTH.
 - d. CONDUCTOR SIZE.
 - e. CROSSARM REQUIREMENTS.
 - f. STAY REQUIREMENTS.
 - g. DEVIATION ANGLE.
2. THE MAXIMUM LINE DEVIATION ANGLE TO BE CONSTRUCTED ON THIS ARRANGEMENT IS TO BE DETERMINED BY THE LINE DESIGNER.
3. POLE STEPS ARE TO BE INSTALLED IN ACCORDANCE WITH THE REQUIREMENTS OF NS128.
4. IN AREAS WHERE THE 11kV NETWORK CANNOT BE WORKED ON USING LIVE LINE TECHNIQUES, UNDERBUILT CIRCUITS SHALL BE INSTALLED WITH A MINIMUM CLEARANCE OF 1200mm. IN AREAS WHERE THE 11kV NETWORK CAN BE WORKED ON USING LIVE LINE TECHNIQUES, UNDERBUILT CIRCUITS SHALL BE INSTALLED WITH A MINIMUM CLEARANCE OF 2500mm.
5. ALL BOLTS AND INSULATOR PINS PASSING THROUGH TIMBER ARE TO BE COATED WITH GRAPHITE GREASE.
6. POLES SHALL BE DRILLED, SCARFED AND DRESSED ON SITE. DRILLING AND SCARFING TO BE TREATED WITH APPROVED PRESERVATIVES.
7. TO MAINTAIN THE INTEGRITY OF A COVERED SYSTEM, IT IS ESSENTIAL THAT ALL STRIPPED AND PUNCTURED INSULATION IS CONTAINED WITHIN THE APPROPRIATE INSULATING COVER.
8. SURGE ARRESTERS ARE TO BE INSTALLED ON AN OVERHEAD CCSX CONDUCTOR SYSTEM IN ACCORDANCE WITH THE REQUIREMENTS OF NS126. IF A SURGE ARRESTER IS TO BE INSTALLED ON THIS CONSTRUCTION, IT IS TO BE INSTALLED AS PER THE RELEVANT COVERED CONDUCTOR ARRANGEMENT SPECIFIED IN DRG: 265905.
9. A CCSX EARTHING POINT IS TO BE INSTALLED WHERE REQUIRED FOR OPERATIONAL PURPOSES OR AT LOCATIONS SPECIFIED IN NS126. ONLY ONE SET OF EARTHING POINTS IS REQUIRED ON THIS CONSTRUCTION. THE EARTHING POINTS CAN BE INSTALLED AT EITHER OF THE ALTERNATE LOCATIONS INDICATED.
10. REFER TO DESIGNER SAFETY REPORT D24/81946 FOR ATYPICAL HAZARDS ASSOCIATED WITH THIS STANDARD CONSTRUCTION.



16	STEP - POLE, SCREW-IN (SEE NOTE 3)	250144	185198	A/R	
15	EARTH - PARKING, DEVICE, IPC CC TO EPD (ENSTO REF. SLW26.A2) (SEE NOTE 9)		186865	3	
14	WIRE - TIE, PREFORMED, INSULATED, FOR CCSX159 (SET OF 6) (ENSTO REF. SO216.157)		186874	1	
	WIRE - TIE, PREFORMED, INSULATED, FOR CCSX62 (SET OF 6) (ENSTO REF. SO216.62)		186875		
	WIRE - TIE, PREFORMED, INSULATED, FOR CCSX25 (SET OF 6) (ENSTO REF. SO216.25)		186876		
13	INSULATOR - 11/22kV AERODYNAMIC, (22/450) AND PIN ARRANGEMENT		513997	3	
12	BLOCK - GAIN, ALUMINIUM, 100mm		146274	1	
11	WASHER - FLAT, M20, GALVANISED		518081	177986	1
10	WASHER - CONICAL, M20, GALVANISED		518082	H39655	1
9	WASHER - SQUARE, 75x75x6mm, GALVANISED (Ø22mm HOLE)		518081	H39231	2
8	BOLT & NUT - M20, HEX., GALVANISED (LENGTH TO SUIT POLE)		515466		1
7	WASHER - CONICAL, M12, GALVANISED		518082	H39639	1
6	WASHER - FLAT, M12, GALVANISED		518081	177982	1
5	BOLT & NUT - M12x130mm, HEX., GALVANISED		515466	46805	1
4	CROSSARM - 2100x100x100mm, TYPE K, HARDWOOD		514374	H23680	1
3	SCREW - COACH, M12 x 100mm, GALVANISED			H40484	1
2	BRACE - CROSSARM, ANGLE, 1524x50x50x6mm, GALVANISED		514382	H17291	1
1	POLE - TIMBER (AS REQUIRED)		513988		1
ITEM	DESCRIPTION	DRG. No	STOCK CODE	QTY	



ALL DIMENSIONS IN MILLIMETRES UNLESS NOTED OTHERWISE.

DO NOT SCALE.

CAD DRAWING DO NOT MANUALLY AMEND	
AMENDMENTS	
DWN: P.R.	
CHKD: P.J.	
APPD: G.F.	
DATE: 09/05/2024	
ITEM 15 ADDED. MATERIAL LIST & NOTES AMENDED.	

11kV CCSX CONDUCTOR SURGE ARRESTER ARRANGEMENTS	265905
ASSOCIATED DRAWINGS	

NETWORK STANDARD

145 NEWCASTLE RD WALLSEND, NSW 2287

SCALE	1:20
DESIGNED	J.BROOKS
DRAWN	P.RIOS
CHECKED	P.JONES
APPROVED	G.FORD
DATE	28/03/2024
PROJECT NUMBER	STD
PROJTRAK NUMBER	-

STANDARD CONSTRUCTION				
11kV 3/4 OFFSET ARM CONSTRUCTION				
2-4 CCSX				
SIZE	DRAWING No	SHEET	AMD	
A2	265887	1	1	