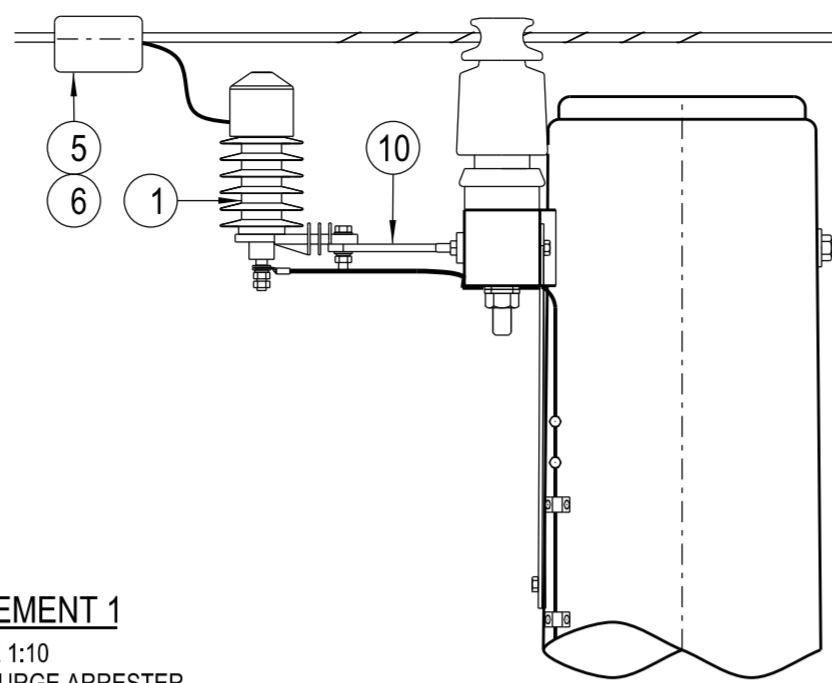
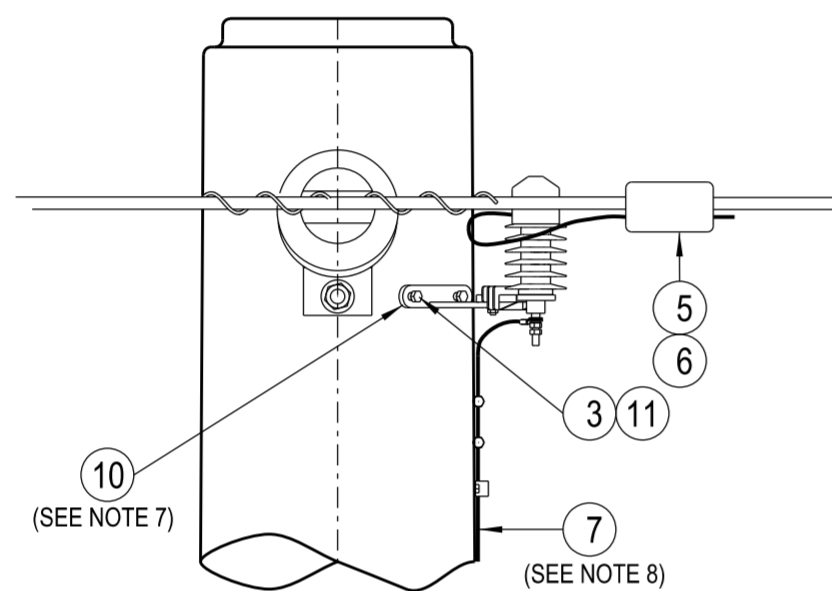


ARRANGEMENT 1
SCALE 1:10
11kV POLYMERIC SURGE ARRESTER
TYPICAL CROSSARM INSTALLATION DETAILS



ARRANGEMENT 2
SCALE 1:10
11kV POLYMERIC SURGE ARRESTER
TYPICAL INTERMEDIATE POLE
INSTALLATION DETAILS



ARRANGEMENT 3
SCALE 1:15
11kV POLYMERIC SURGE ARRESTER
TYPICAL TERMINATION POLE
INSTALLATION DETAILS

NOTES :

1. ONLY USE SURGE ARRESTERS THAT ARE COMPATIBLE WITH THE COVERED CONDUCTOR SYSTEM.
2. POLE CONSTRUCTIONS SHOWN ARE INDICATIVE ONLY.
3. 11kV POLYMERIC EARTHLEAD DISCONNECT SURGE ARRESTERS ARE TO BE USED AS SURGE PROTECTION ON ALL CCT CONSTRUCTIONS.
4. ALL BOLTS PASSING THROUGH TIMBER ARE TO BE COATED WITH GRAPHITE GREASE.
5. TO MAINTAIN THE INTEGRITY OF A COVERED SYSTEM , IT IS ESSENTIAL THAT ALL STRIPPED AND PUNCTURED INSULATION IS CONTAINED WITHIN THE APPROPRIATE INSULATING COVER.
6. CCT CONDUCTOR INSULATION SHALL ONLY BE REMOVED BY THE USE OF AN APPROVED CCT CONDUCTOR STRIPPING TOOL.
7. WHEN MOUNTING A SURGE ARRESTER "T" MOUNTING BRACKET DIRECTLY TO A POLE, THE BRACKET IS TO BE FORMED TO SUIT THE RADIUS OF THE POLE.
8. THE EARTH DOWN LEAD CABLE IS TO BE SECURED TO THE POLE AS REQUIRED USING DOUBLE SIDED GALVANISED STEEL SADDLES. SADDLES MUST BE NO LESS THAN 100mm FROM EDGES OF REMOVED INSULATION. REFER TO DRG : 508786 FOR STANDARD CONSTRUCTION TIMBER POLE STRUCTURE EARTHING ARRANGEMENT AND NS116 TABLE 1 FOR THE TARGET EARTHING IMPEDANCE.

12	SCREW - SELF DRILLING, TIMBER, TYPE 17, 10Gx25mm, GALVANISED		184996	A/R	A/R	A/R
11	SCREW - COACH, M12x90mm, GALVANISED		50443		2	2
10	BRACKET - 'T' MOUNTING, 11kV, POLYMERIC SURGE ARRESTER (SEE NOTE 7)	177944		1	1	1
9	CLAMP - SPLIT BOLT, TYPE C, BRASS		61374	2	2	2
8	SADDLE - 12.7mm, DOUBLE SIDED, GALVANISED (SEE NOTE 8)		176494	A/R	A/R	A/R
7	CONDUCTOR - 19/2.14(70mm ²) COPPER, PVC COVERED, BLACK (SEE NOTE 8)		60111	A/R	A/R	A/R
6	COVER - PARALLEL GROOVE CLAMP (FOR CCT180)		PURCHASE	1	1	1
	COVER - PARALLEL GROOVE CLAMP (FOR CCT80 & CCT120)		144576			
5	CLAMP - PARALLEL GROOVE, 2 BOLT (FOR CCT180)		PURCHASE	1	1	1
	CLAMP - PARALLEL GROOVE, 2 BOLT (FOR CCT80 & CCT120)		144568			
4	WASHER - CONICAL, M12, GALVANISED	518082	H39639	2		
3	WASHER - FLAT, M12, GALVANISED	518081	177982	4	2	2
2	BOLT & NUT - M12x180mm, HEX., GALVANISED (USE ON 150mm CROSSARMS)	515466	46888	2		
	BOLT & NUT - M12x130mm, HEX., GALVANISED (USE ON 100mm CROSSARMS)	515466	46805			
1	ARRESTER - SURGE, 11kV, 10kA, POLYMERIC, EARTHLEAD DISCONNECT		150383	1	1	1
ITEM	DESCRIPTION	DRG. No	STOCK CODE	ARR-1	ARR-2	ARR-3
				QTY		

ALL DIMENSIONS IN MILLIMETRES UNLESS NOTED OTHERWISE. DO NOT SCALE.

CAD DRAWING DO NOT MANUALLY AMEND	AMENDMENTS	DWN: P.RIOS	CHKD: P.JONES	DATE: 22/04/2022	ITEM 8 CHANGED & ITEM 12 ADDED. NOTES & MATERIAL LIST AMENDED.	APPD by: G.FORD	DWN: P.R.	CHKD: P.J.	APPD: G.F.	DATE: 04/04/2023	NOTE 8 AMENDED & ASSOCIATED DRAWING ADDED.	DWN: P.R.	CHKD: P.J.	APPD: G.F.	DATE: 21/05/2024	PIN POST INSULATORS UPDATED ON ARR-2.
20110901	1															

TIMBER POLE STRUCTURE EARTHING ARRANGEMENT TYPE SE-M5	508786
ASSOCIATED DRAWINGS	

NETWORK STANDARD

145 NEWCASTLE RD WALLSEND, NSW 2287

SCALE	AS SHOWN
DESIGNED	PHIL JONES
DRAWN	PATRICIA RIOS
CHECKED	PHIL JONES
APPROVED	STEPHEN CONNOR
DATE	04/12/06
PROJECT NUMBER	STD
PROJTRAK NUMBER	-

STANDARD CONSTRUCTION	
11kV CCT SURGE ARRESTER ARRANGEMENTS	
SIZE	DRAWING No
A2	177151
SHEET	AMD
1	6