

A

B

C

D

E

F

A

B

C

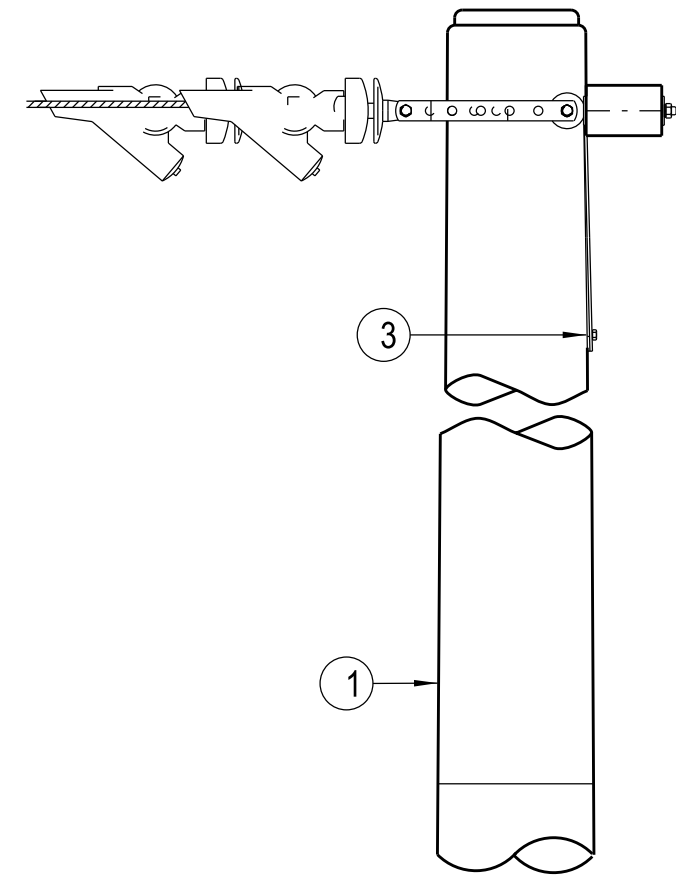
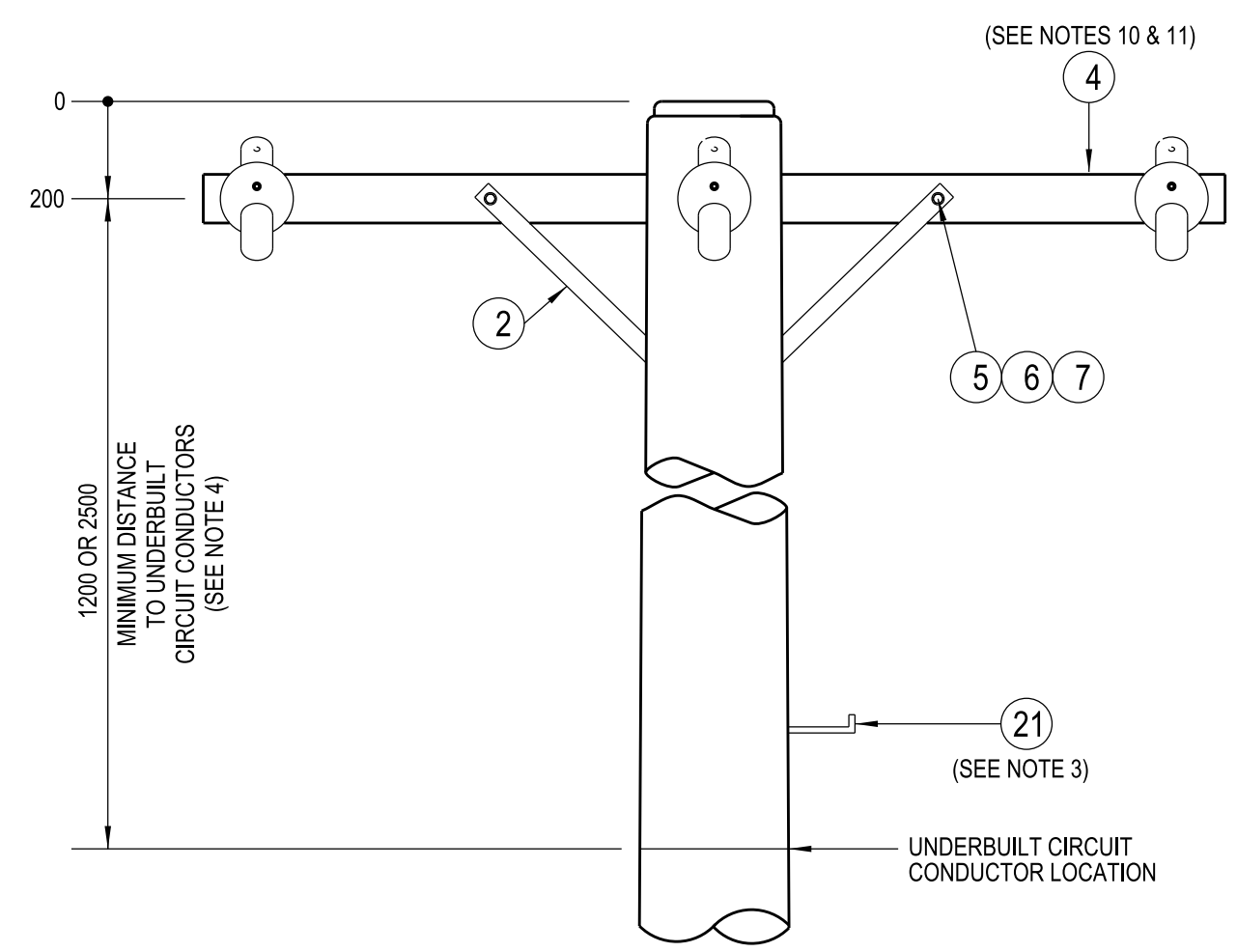
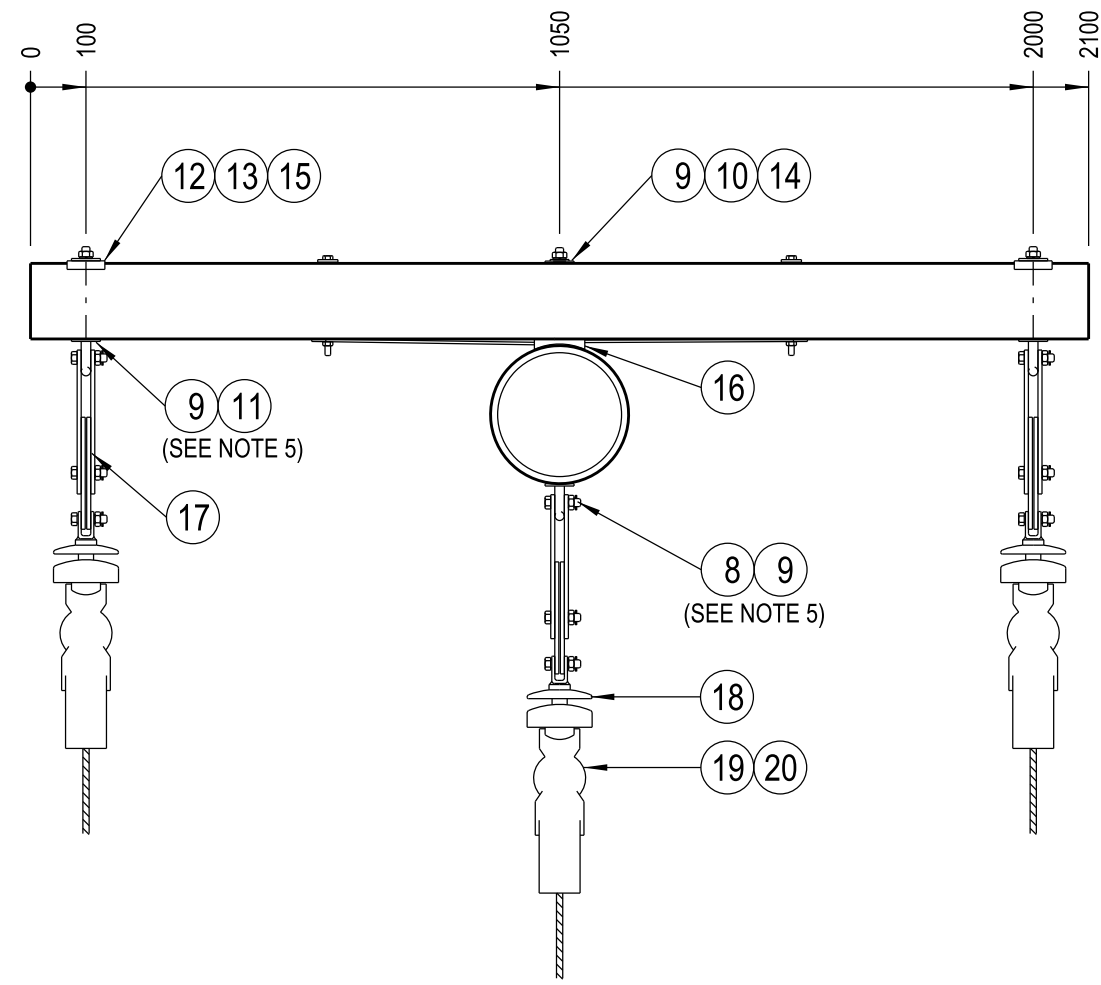
D

E

F

NOTES :

1. THE FOLLOWING INFORMATION IS OBTAINED FROM THE PROJECT DESIGN DRAWINGS :
 - a. POLE LENGTH AND STRENGTH.
 - b. SPECIAL FOUNDATION REQUIREMENTS.
 - c. POLE EMBEDMENT DEPTH.
 - d. CONDUCTOR SIZE.
 - e. VARIATIONS TO STANDARD CROSSARM REQUIREMENTS.
 - f. STAY REQUIREMENTS.
 - g. DEVIATION ANGLE.
 - h. ASSESSED EARTHING REQUIREMENTS.
2. THE MAXIMUM LINE DEVIATION ANGLE TO BE CONSTRUCTED ON THIS ARRANGEMENT IS TO BE DETERMINED BY THE LINE DESIGNER.
3. POLE STEPS ARE TO BE INSTALLED IN ACCORDANCE WITH THE REQUIREMENTS OF NS126.
4. IN AREAS WHERE THE 11kV NETWORK CANNOT BE WORKED ON USING LIVE LINE TECHNIQUES, UNDERBUILT CIRCUITS SHALL BE INSTALLED WITH A MINIMUM CLEARANCE OF 1200mm. IN AREAS WHERE THE 11kV NETWORK CAN BE WORKED ON USING LIVE LINE TECHNIQUES, UNDERBUILT CIRCUITS SHALL BE INSTALLED WITH A MINIMUM CLEARANCE OF 2500mm.
5. THE LOAD AND DEVIATION ALLOWABLE ON THE EYEBOLT IS TO BE DETERMINED FROM DRG : 520324.
6. POLES SHALL BE DRILLED, SCARFED AND DRESSED ON SITE. DRILLING AND SCARFING TO BE TREATED WITH APPROVED PRESERVATIVES.
7. ALL BOLTS PASSING THROUGH TIMBER ARE TO BE COATED WITH GRAPHITE GREASE.
8. TO MAINTAIN THE INTEGRITY OF A COVERED SYSTEM , IT IS ESSENTIAL THAT ALL STRIPPED AND PUNCTURED INSULATION IS CONTAINED WITHIN THE APPROPRIATE INSULATING COVER.
9. CCT CONDUCTOR INSULATION SHALL ONLY BE REMOVED BY THE USE OF AN APPROVED CCT CONDUCTOR STRIPPING TOOL.
10. A 2100mm CROSSARM IS TO BE USED AS THE DEFAULT CROSSARM. A 3070mm COMPOSITE FIBRE OR 3000mm STEEL CROSSARM IS TO BE USED WHEN THE MAXIMUM LOAD OF A TIMBER CROSSARM IS EXCEEDED.
11. ONLY THE 2100mm CROSSARM OPTION IS SHOWN ON THIS CONSTRUCTION DRAWING. REFER TO DRGS : 514377 & 237491 FOR DRILLING PATTERN OF ALTERNATE CROSSARMS.
12. SURGE ARRESTERS ARE TO BE INSTALLED ON AN OVERHEAD CCT CONDUCTOR SYSTEM IN ACCORDANCE WITH THE REQUIREMENTS OF NS126. IF A SURGE ARRESTER IS TO BE INSTALLED ON THIS CONSTRUCTION, IT IS TO BE INSTALLED AS PER THE RELEVANT ARRANGEMENT SPECIFIED ON DRG: 177151.



21	STEP - POLE, SCREW-IN (SEE NOTE 3)	250144	185198	A/R
20	COVER - STRAIN CLAMP		144543	3
19	CLAMP - CONDUCTOR STRAIN, FOR CCT180		176313	3
	CLAMP - CONDUCTOR STRAIN, FOR CCT120		144527	
	CLAMP - CONDUCTOR STRAIN, FOR CCT80		144535	
18	INSULATOR - STRAIN ROD		144550	3
17	LINK - SAG, 70kN (PLP PART No. CTSLEW-070-1)			DIRECT PURCHASE 3
16	BLOCK - GAIN, ALUMINIUM, 125mm (USE WITH 3070mm CROSSARM)		146282	1
	BLOCK - GAIN, ALUMINIUM, 100mm (USE WITH 2100mm & 3000mm CROSSARMS)		146274	
15	WASHER - FLAT, M20, GALVANISED (USE WITH 2100mm CROSSARM)	518081	177986	2
14	WASHER - FLAT, M20, GALVANISED	518081	177986	1
13	WASHER - SQUARE, 75x75x6mm, GALVANISED (Ø22mm HOLE) (USE WITH 3070mm CROSSARM)	518081	H39231	2
	WASHER - LIP, M24, GALVANISED (USE WITH 2100mm & 3000mm CROSSARMS)	518081	176912	
12	WASHER - SPRING, M20, GALVANISED (USE WITH 3000mm & 3070mm CROSSARMS)	518082	175569	2
	WASHER - CONICAL, M20, GALVANISED (USE WITH 2100mm CROSSARM)	518082	H39655	
11	EYEBOLT - M20x200mm, GALVANISED (SEE NOTE 5)	513653	H37881	2
10	WASHER - CONICAL, M20, GALVANISED	518082	H39655	1
9	WASHER - SQUARE, 75x75x6mm, GALVANISED (Ø22mm HOLE)	518081	H39231	4
8	EYEBOLT - M20, GALVANISED (LENGTH TO SUIT POLE) (SEE NOTE 5)	513653		1
7	WASHER - SPRING, M12, GALVANISED (USE WITH 3000mm & 3070mm CROSSARMS)	518082	H12047	2
	WASHER - CONICAL, M12, GALVANISED (USE WITH 2100mm CROSSARM)	518082	H39639	
6	WASHER - FLAT, M12, GALVANISED	518081	177982	4
	BOLT & NUT - M12x150mm, HEX., GALVANISED (USE WITH 3070mm CROSSARM)	515466	46847	
5	BOLT & NUT - M12x180mm, HEX., GALVANISED (USE WITH 2100mm & 3000mm CROSSARMS)	515466	46888	2
	CROSSARM - 3070x125x125mm, ITEM 3, COMPOSITE FIBRE (SEE NOTES 10 & 11)	237491	183935	
4	CROSSARM - 3000x150x100x5mm, RHS, GALVANISED (SEE NOTES 10 & 11)	514377	H23787	1
	CROSSARM - 2100x150x100mm, TYPE H, HARDWOOD (SEE NOTES 10 & 11)	514374	H23745	
3	SCREW - COACH, M12x100mm, GALVANISED		H40484	1
2	BRACE - CROSSARM, FLAT, 690mm, GALVANISED	514385	H17738	2
1	POLE - TIMBER (AS REQUIRED)	513988		1

ALL DIMENSIONS IN MILLIMETRES UNLESS NOTED OTHERWISE. DO NOT SCALE.

CAD DRAWING DO NOT MANUALLY AMEND AMENDMENTS	
DWN: PATRICIA RIOS	CHKD: PHIL JONES
DATE: 03/09/2007	NOTE 4 AMENDED.
APP'D by STEPHEN CONNOR	
DWN: PATRICIA RIOS	CHKD: PHILIP JONES
DATE: 16/08/2019	M20 WASHER ADDED. NOTES & MATERIAL LIST UPDATED. SHEET SIZE CHANGED.
APP'D by: GLENN FORD	

11kV CCT SURGE ARRESTER ARRANGEMENTS	177151
COMPOSITE FIBRE CROSSARM MECHANICAL LOAD REQUIREMENTS	237491
HV TERMINATION STEEL CROSSARM CONSTRUCTION DETAILS	514377
20mm EYEBOLT LOADING & DEVIATION GRAPH	520324
ASSOCIATED DRAWINGS	

NETWORK STANDARD
Ausgrid
145 NEWCASTLE RD WALLSEND,
NSW 2287

SCALE	1:15	STANDARD CONSTRUCTION 11kV TERMINATION CONSTRUCTION 2-10CCT	SIZE A2	DRAWING No 174961	SHEET 01	AMD 2
DESIGNED	PHIL JONES					
DRAWN	PATRICIA RIOS					
CHECKED	PHIL JONES					
APPROVED	STEPHEN CONNOR					
DATE	06/12/06					
PROJECT NUMBER	STD					
PROJ/TRAK NUMBER	-					