

A

B

C

D

E

F

A

B

C

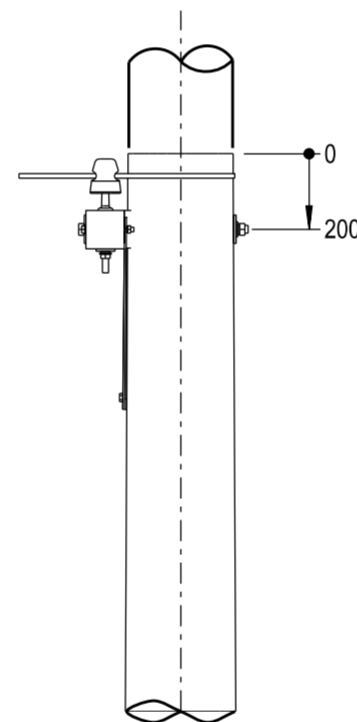
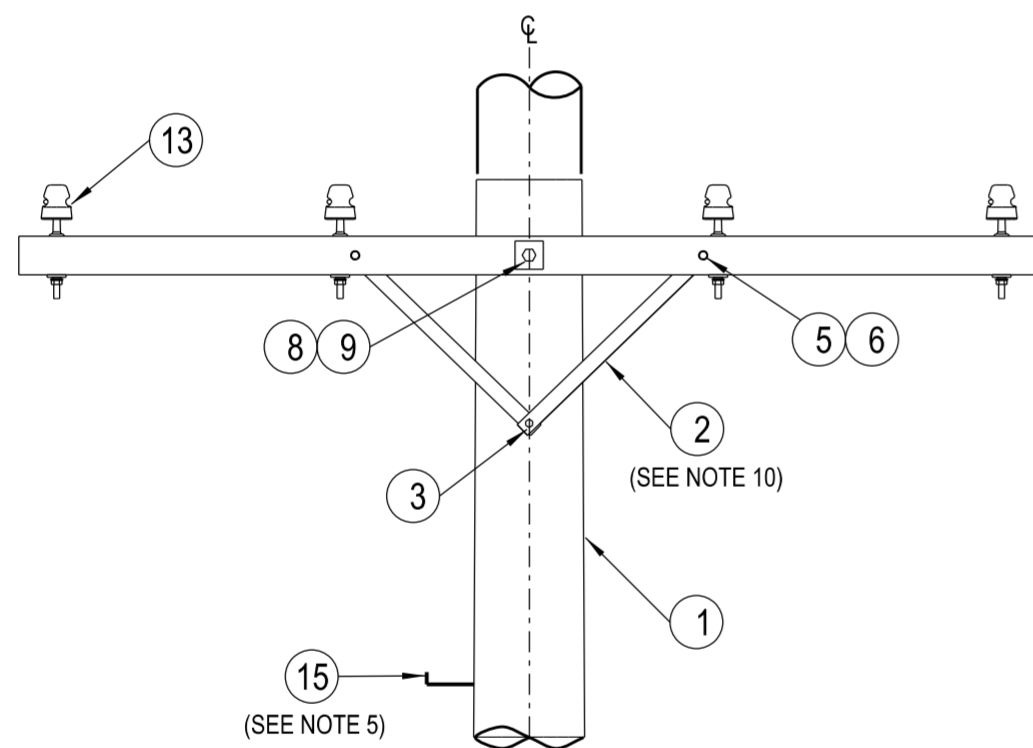
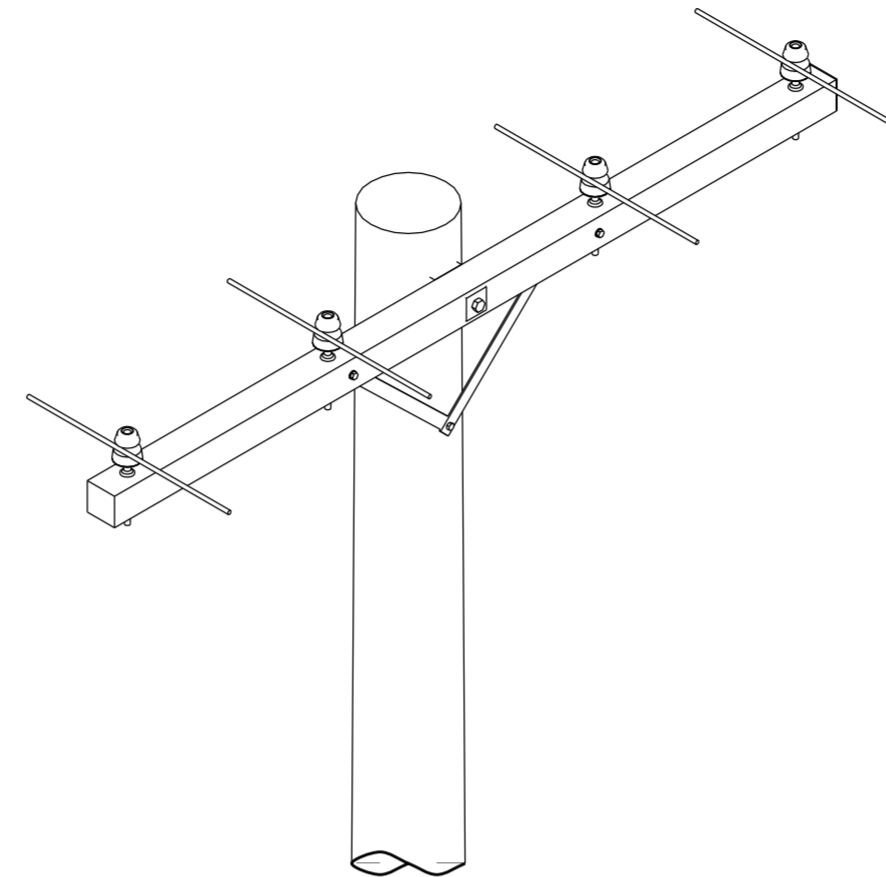
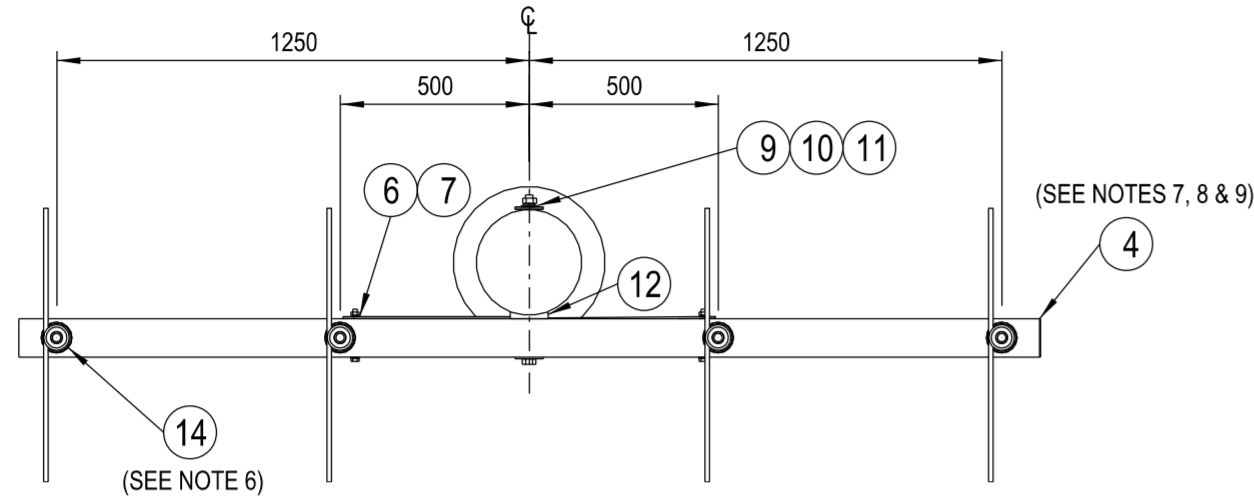
D

E

F

NOTES :

1. THE FOLLOWING INFORMATION IS OBTAINED FROM THE PROJECT DESIGN DRAWINGS:
 - a. POLE LENGTH AND STRENGTH.
 - b. SPECIAL FOUNDATION REQUIREMENTS.
 - c. POLE EMBEDMENT DEPTH.
 - d. CONDUCTOR SIZE.
 - e. CROSSARM SIZE AND BRACE REQUIREMENTS.
 - f. STAY REQUIREMENTS.
 - g. DEVIATION ANGLE.
2. ALL BOLTS AND INSULATOR PINS PASSING THROUGH TIMBER ARE TO BE COATED WITH GRAPHITE GREASE.
3. THE MAXIMUM LINE DEVIATION ANGLE TO BE CONSTRUCTED ON THIS ARRANGEMENT IS TO BE DETERMINED BY THE LINE DESIGNER.
4. POLES SHALL BE DRILLED, SCARFED AND DRESSED ON SITE. DRILLING AND SCARFING TO BE TREATED WITH APPROVED PRESERVATIVES.
5. POLE STEPS ARE TO BE INSTALLED IN ACCORDANCE WITH THE REQUIREMENTS OF NS128.
6. IF THE CONDUCTOR DEVIATES AT THE INSULATOR, USE THE ANGLE TYPE CONDUCTOR TIE ARRANGEMENT. OTHERWISE, USE THE INTERMEDIATE TYPE CONDUCTOR TIE ARRANGEMENT AS SHOWN ON DRG: 514044.
7. COMPOSITE FIBRE CROSSARMS ARE TO BE USED AS THE PREFERRED OPTION UNDER NORMAL CIRCUMSTANCES.
8. A 2706mm COMPOSITE FIBRE CROSSARM IS TO BE USED AS THE DEFAULT CROSSARM. FOR NARROW FEEDER ALIGNMENTS, A SHORTER CROSSARM MAY BE CONSIDERED TO OVERCOME DESIGN AND SITE CONSTRAINTS.
9. ONLY THE 2706mm COMPOSITE FIBRE CROSSARM OPTION IS SHOWN ON THIS CONSTRUCTION DRAWING. REFER TO DRGS: 262732, 514373, 15233 & 514374 FOR DRILLING PATTERN OF ALTERNATE CROSSARMS.
10. THE 690mm CROSSARM BRACES ARE TO BE USED ON A 2706mm, 2106mm, 2700mm & 2100mm CROSSARM. THE 490mm CROSSARM BRACES ARE TO BE USED ON A 2406mm & 2400mm CROSSARM.
11. REFER TO DESIGNER SAFETY REPORT D23/220016 FOR ATYPICAL HAZARDS ASSOCIATED WITH THIS STANDARD CONSTRUCTION.



ITEM	DESCRIPTION	DRG. No	STOCK CODE	QTY
15	STEP - POLE, SCREW-IN (SEE NOTE 5)	250144	185198	A/R
14	TIE - CONDUCTOR, LOW VOLTAGE, SUPPORT ARRANGEMENT (SEE NOTE 6)	514044		5m
13	INSULATOR - LV, (LPLV PATTERN 'B') & PIN ARRANGEMENT	513995		4
12	BLOCK - GAIN, ALUMINIUM, 100mm		146274	1
11	WASHER - FLAT, M20, GALVANISED	518081	177986	1
10	WASHER - CONICAL, M20, GALVANISED	518082	H39655	1
9	WASHER - SQUARE, 75x75x6mm, GALVANISED (Ø22mm HOLE)	518081	H39231	2
8	BOLT & NUT - M20, HEX., GALVANISED (LENGTH TO SUIT POLE)	515466		1
7	WASHER - CONICAL, M12, GALVANISED (USE WITH 2700mm, 2400mm & 2100mm CROSSARMS)	518082	H39639	2
	WASHER - SPRING, M12, GALVANISED (USE WITH 2706mm, 2406mm & 2106mm CROSSARMS)	518082	H12047	
6	WASHER - FLAT, M12, GALVANISED	518081	177982	4
5	BOLT & NUT - M12x130mm, HEX., GALVANISED	515466	46805	2
4	CROSSARM - 2100x100x100mm, TYPE A, HARDWOOD (SEE NOTES 7, 8 & 9)	514374	H23818	1
	CROSSARM - 2400x100x75mm, TYPE L3, HARDWOOD (SEE NOTES 7, 8 & 9)	15233	89912	
	CROSSARM - 2700x100x100mm, TYPE D, HARDWOOD (SEE NOTES 7, 8 & 9)	514373	H23868	
	CROSSARM - 2106x102x102mm, TYPE 1, COMPOSITE FIBRE (SEE NOTES 7, 8 & 9)	262732	186771	
	CROSSARM - 2406x102x102mm, TYPE 2, COMPOSITE FIBRE (SEE NOTES 7, 8 & 9)	262732	186772	
	CROSSARM - 2706x102x102mm, TYPE 3, COMPOSITE FIBRE (SEE NOTES 7, 8 & 9)	262732	186773	
3	SCREW - COACH, M12 x 100mm, GALVANISED		H40484	1
2	BRACE - CROSSARM, FLAT, TYPE L, 490mm, GALVANISED (SEE NOTE 10)	46	76745	2
	BRACE - CROSSARM, FLAT, 690mm, GALVANISED (SEE NOTE 10)	514385	H17738	
1	POLE - TIMBER (AS REQUIRED)	513988		1

ALL DIMENSIONS IN MILLIMETRES UNLESS NOTED OTHERWISE. DO NOT SCALE.

CAD DRAWING DO NOT MANUALLY AMEND AMENDMENTS	DWN: PATRICIA RIOS CHKD: PHILLIP JONES	DATE: 15/02/2018	APPD BY: GLENN FORD DWN: P.R. CHKD: P.J. APPD: G.F.	DATE: 14/11/2023
NOTES & MATERIAL LIST AMENDED. OPTIONS ADDED FOR ITEMS 2 & 4.				
COMPOSITE CROSSARMS ADDED TO MATERIAL LIST. NOTES & DIMENSIONS AMENDED. SHEET SIZE CHANGED.				

ASSOCIATED DRAWINGS	
2100mm CROSSARMS FOR LV, 11kV AND 33kV CONSTRUCTION DETAILS	514374
WOODEN CROSSARMS FOR 415V OVERHEAD MAINS	15233
LV CONDUCTOR TIE & SUPPORT ARRANGEMENTS	514044
2700mm CROSSARMS FOR LV, 11kV, 22kV AND 33kV CONSTRUCTION DETAILS	514373
COMPOSITE FIBRE CROSSARMS SPECIFICATION	262732

NETWORK STANDARD

145 NEWCASTLE RD WALLSEND, NSW 2287

SCALE	1:20
DESIGNED	-
DRAWN	M.L
CHECKED	P.J
APPROVED	I.NICHOLS
DATE	09/12/1992
PROJECT NUMBER	STD
PROJTRAK NUMBER	-

STANDARD CONSTRUCTION			
LV HORIZONTAL PIN CONSTRUCTION			
1-1			
SIZE	DRAWING No	SHEET	AMD
A2	513900	1	13