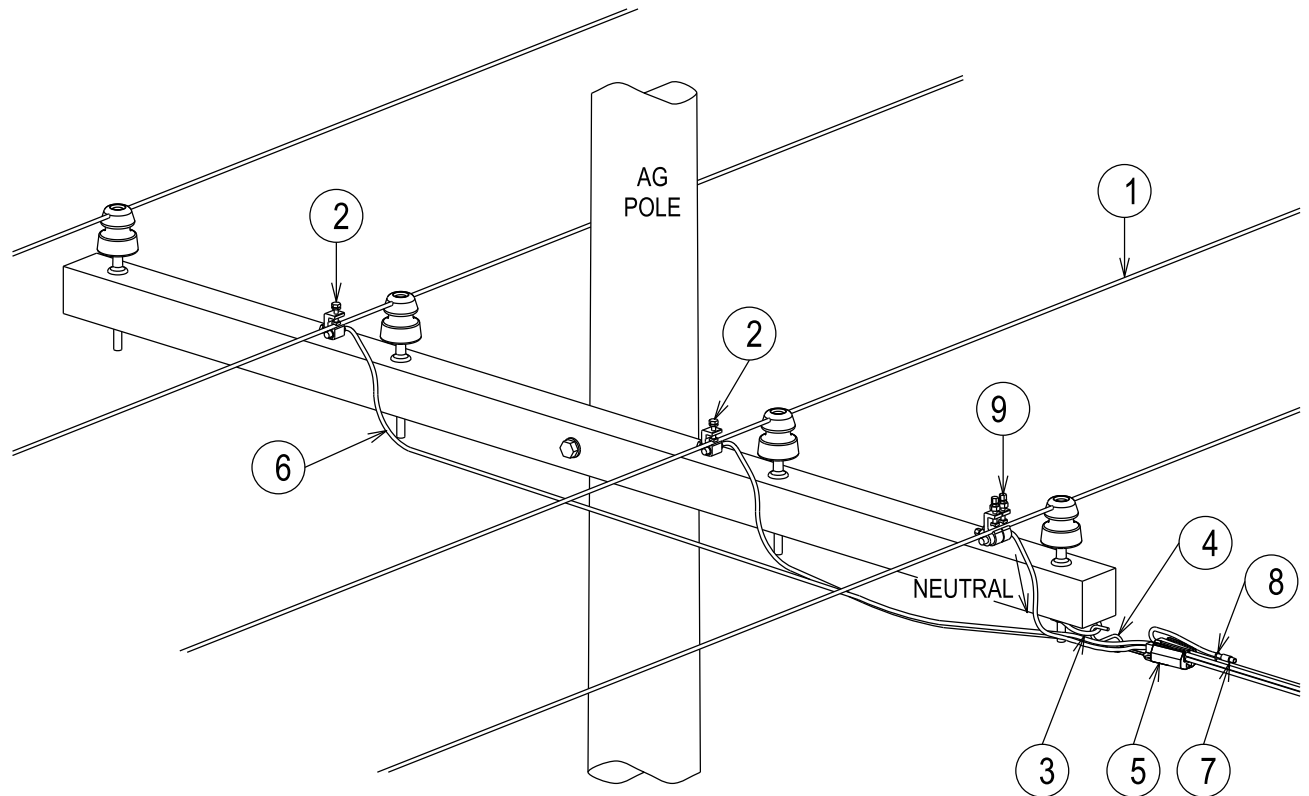


No.	DESCRIPTION	STOCK		QTY
		AL	CU	
1	CONDUCTOR - OVERHEAD	-	-	N/A
2	CONNECTOR - BARE MAINS/IPC	175051	H109694	2
3	BRACKET - SERVICE TAKE-OFF	H12568	H12568	1
4	LINK - WEAK CONNECTING	H81976	H81976	1
5	CLAMP - CABLE STRAIN 2-4 CORE 6-25mm ²	H102491	H102491	1
6	SERVICE CABLE - 4x25mm ² AL ABC, 4 CORE	H109280	H109280	A/R
7	END CAP - 25mm ² PUSH ON	H109447		1
8	CABLE TIE	TBA		1
9	CONNECTOR - SPLICE FOR NEUTRAL PHASE, BARE AI	182904	-	1
	CONNECTOR - SPLICE FOR NEUTRAL PHASE, BARE Cu	-	182905	

NOTES :

1. IPC CONNECTOR ORIENTATION IS DIAGRAMMATIC ONLY, IT MAY BE INSTALLED IN ANY DIRECTION.
2. LEAVE CONDUCTORS LONG ENOUGH TO SUIT ABC INSTALLATION.



CAD DRAWING
DO NOT MANUALLY AMEND
AMENDMENTS
DWN: PATRICIA RIOS
CHKD: HIRI EHAMPARAM
DATE: 11/04/2014
NEUTRAL CONNECTION
CHANGED, MATERIAL
LIST AMENDED.
4
APPD: MATTHEW CUPPLES

NETWORK STANDARD
Ausgrid
145 NEWCASTLE RD
WALLSEND NSW 2287
PHONE: 4951 9388
FAX: 4591 9389

DESIGNED	ROBERT KNOWLES
DRAWN	PA
CHECKED	ROBERT KNOWLES
AUTHORISED	GREG SKINNER
DATE	02/07/04
SCALE	NTS
MAP REF.	
LGA	

**STANDARD CONSTRUCTION
100AMP OPEN WIRE MAINS
SUPPORT FROM CROSSARM
2 PHASE**

PROJECT No.	NET-STD
PROJTRAK No.	-
Sheet 01 of 1 Sheets	
A4	167460
	4