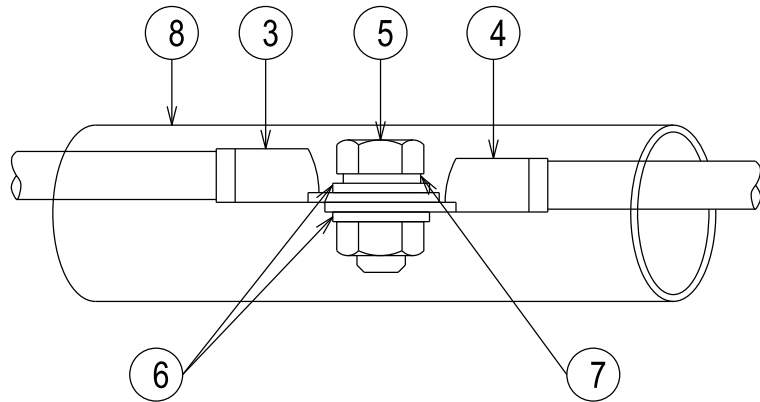
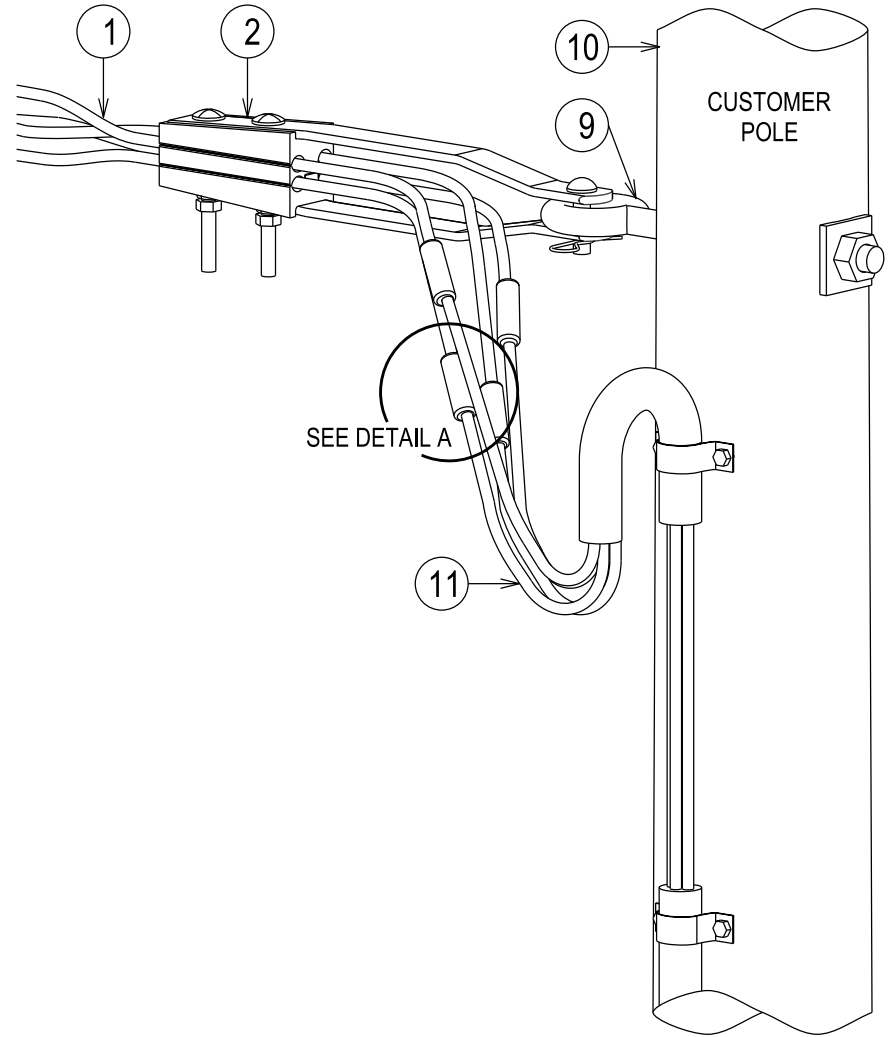


No.	DESCRIPTION	STOCK	QTY
1	CABLE - 4x95mm ² AL ABC XLPE	67959	A/R
2	CLAMP - CABLE STRAIN 4 CORE 95mm ² XLPE	176652	1
3	EYELUG - 95mm ² ABC	58743	4
4	EYELUG - CUSTOMER CABLE	TBD	4
5	BOLT - M12x35mm, HEX, STAINLESS STEEL	45021	4
6	WASHER - M12, FLAT, STAINLESS STEEL	49429	8
7	WASHER - M12, SPRING, STAINLESS STEEL	143859	4
8	HEATSHRINK - SLEEVE(AS PER KIT STOCK CODE 90324)	TBD	4
9	EYEBOLT - M16/M20, LENGTH TO SUIT	N/A	1
10	POLE - STEEL, CUSTOMER(AS PER SERVICE & INSTALLATION RULES OF NSW)	-	1
11	CONSUMER MAINS	-	1



DETAIL A

CAD DRAWING
DO NOT MANUALLY AMEND
AMENDMENTS
DWN: PATRICIA RIOS
CHKD: GARRY CRAIG
DATE: 19/01/2015
STOCK CODE FOR
ITEM 10 REMOVED.
4
APPD: DOMINIC SHIELDS

NETWORK STANDARD
Ausgrid
145 NEWCASTLE RD
WALLSEND NSW 2287
PHONE: 4951 9388
FAX: 4591 9389

DESIGNED	ROBERT KNOWLES
DRAWN	PATRICIA RIOS
CHECKED	ROBERT KNOWLES
AUTHORISED	GREG SKINNER
DATE	02/07/04
SCALE	NTS
MAP REF.	
LGA	

STANDARD CONSTRUCTION
200AMP 3 PHASE
SERVICE CONNECTION
CUSTOMER STEEL POLE

PROJECT No.	NET-STD
PROJTRAK No.	-
Sheet 01 of 1 Sheets	
A4	162009 4