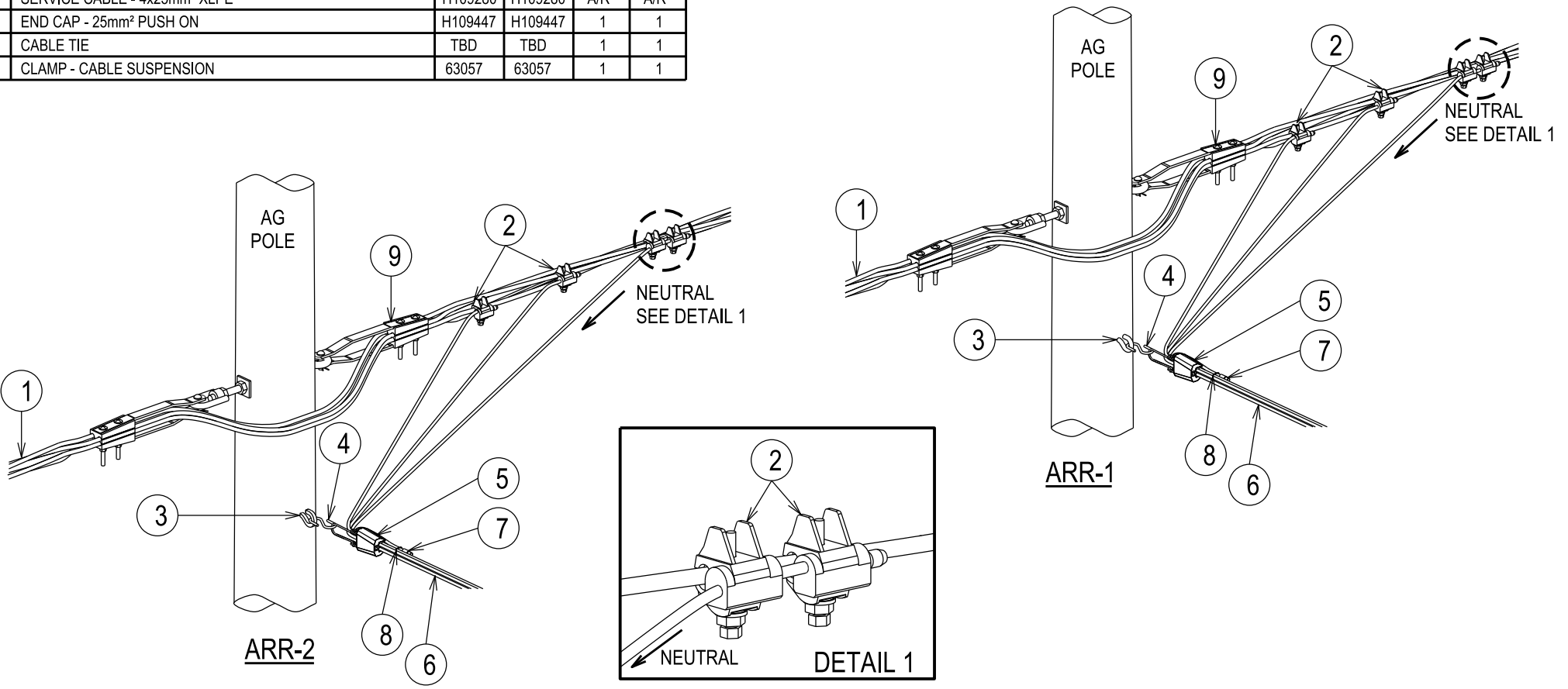


No.	DESCRIPTION	STOCK		QTY	
		95mm ²	150mm ²	ARR-1	ARR-2
1	MAINS CABLE - 4 CORE 95/150mm ² XLPE ABC	67959	TBD	A/R	A/R
2	CONNECTOR - IPC 95-25/ 150-95mm ²	73593	143891	4	4
3	SCREW - COACH HOOK M12x146mm	H75697	H75697	1	-
	HOOK - 'J' SPIKE	1370	1370	-	1
4	LINK - WEAK CONNECTING	H81976	H81976	1	1
5	CLAMP - STRAIN CLAMP 2-4 CORE 6-25mm ²	H102491	H102491	1	1
6	SERVICE CABLE - 4x25mm ² XLPE	H109280	H109280	A/R	A/R
7	END CAP - 25mm ² PUSH ON	H109447	H109447	1	1
8	CABLE TIE	TBD	TBD	1	1
9	CLAMP - CABLE SUSPENSION	63057	63057	1	1

NOTE :
 1. CREATE THE NEUTRAL WITH THE GREATEST CABLE SLACKNESS.
 2. LOW VOLTAGE DISTRIBUTION MAINS CAN BE :
 - SUSPENSION OR,
 - THROUGH STRAIN OR,
 - TERMINATION



CAD DRAWING.
 DO NOT MANUALLY AMEND
 AMENDMENTS
 DWN: PATRICIA RIOS
 CHKD: HIRI EHAMPARAM
 DATE: 03/04/2014
 NEUTRAL CONNECTION
 CHANGED, DETAIL 1
 ADDED, MATERIAL LIST
 AMENDED.
 APPD: MATTHEW CUPPLES

NETWORK STANDARD
Ausgrid
 145 NEWCASTLE RD
 WALLSEND NSW 2287
 PHONE: 4951 9388
 FAX: 4591 9389

DESIGNED	ROBERT KNOWLES
DRAWN	PATRICIA RIOS
CHECKED	ROBERT KNOWLES
AUTHORISED	GREG SKINNER
DATE	02/07/04
SCALE	NTS
MAP REF.	
LGA	

STANDARD CONSTRUCTION
100AMP ABC MAINS
SUPPORT FROM POLE - 2 PHASE

PROJECT No.	NET-STD
PROJTRAK No.	-
Sheet 01 of 1 Sheets	
A4	152500
	5