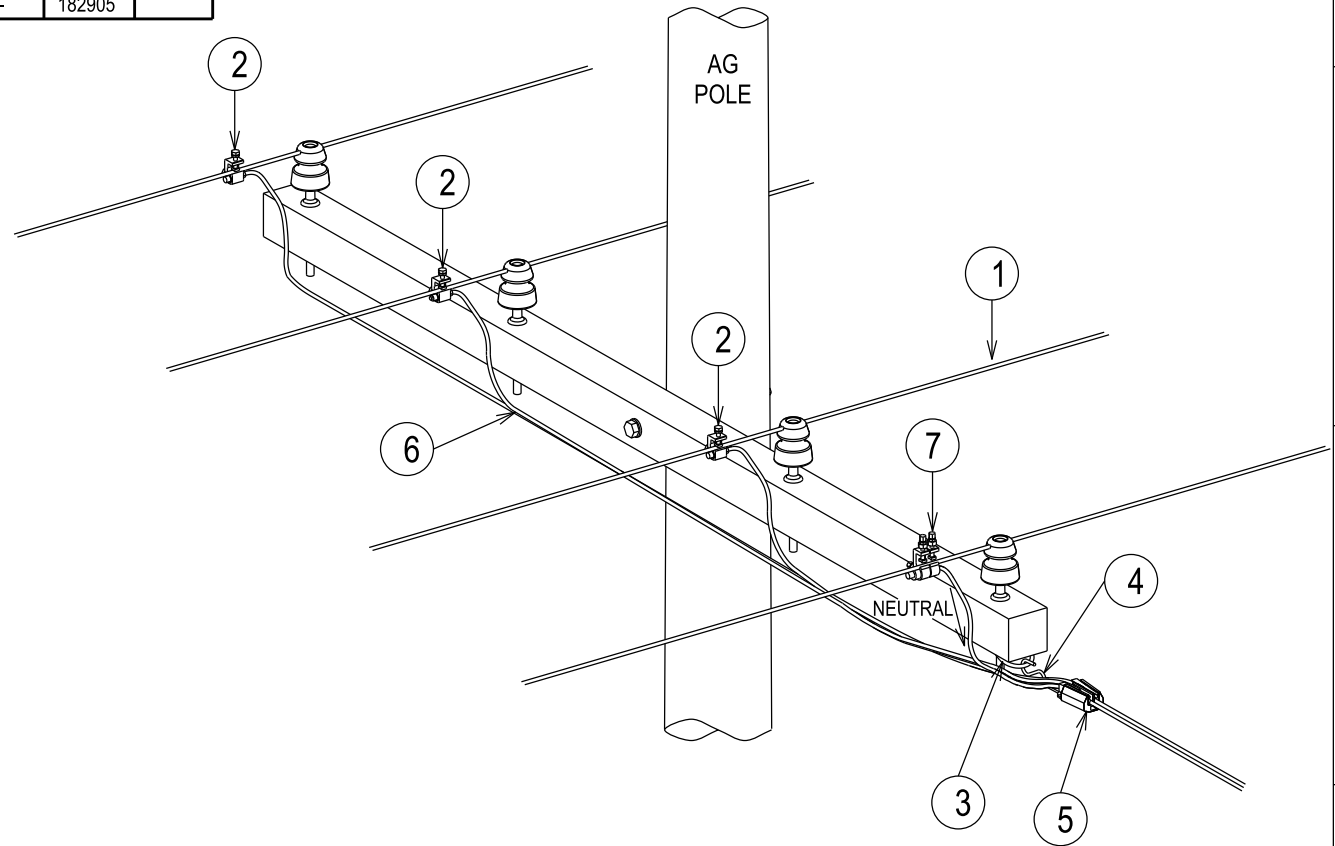


| No. | DESCRIPTION | STOCK | | QTY |
|-----|--|---------|---------|-----|
| | | AL | CU | |
| 1 | CONDUCTOR - OVERHEAD | - | - | N/A |
| 2 | CONNECTOR - BARE MAINS/IPC | 175051 | H109694 | 3 |
| 3 | BRACKET - SERVICE TAKE-OFF | H12568 | H12568 | 1 |
| 4 | LINK - WEAK CONNECTING | H81976 | H81976 | 1 |
| 5 | CLAMP - CABLE STRAIN 2-4 CORE 6-25mm ² | H102491 | H102491 | 1 |
| 6 | SERVICE CABLE - 4x25mm ² AL ABC, 4 CORE | H109280 | H109280 | A/R |
| 7 | CONNECTOR - SPLICE FOR NEUTRAL PHASE, BARE AI | 182904 | - | 1 |
| | CONNECTOR - SPLICE FOR NEUTRAL PHASE, BARE Cu | - | 182905 | |

NOTE :

1. IPC CONNECTOR ORIENTATION IS DIAGRAMMATIC ONLY, IT MAY BE INSTALLED IN ANY DIRECTION.
2. LEAVE CONDUCTORS LONG ENOUGH TO SUIT ABC INSTALLATION.



CAD DRAWING
DO NOT MANUALLY AMEND
AMENDMENTS

DWN: PATRICIA RIOS
CHKD: HIRI EHAMPARAM

DATE: 17/04/2014
NEUTRAL CONNECTION
CHANGED, MATERIAL
LIST AMENDED.

5

APPD: MATTHEW CUPPLES

NETWORK STANDARD

145 NEWCASTLE RD
WALLSEND NSW 2287
PHONE: 4951 9388
FAX: 4591 9389

| | |
|------------|----------------|
| DESIGNED | ROBERT KNOWLES |
| DRAWN | PATRICIA RIOS |
| CHECKED | ROBERT KNOWLES |
| AUTHORISED | GREG SKINNER |
| DATE | 02/07/04 |
| SCALE | NTS |
| MAP REF. | |
| LGA | |

**STANDARD CONSTRUCTION
100AMP OPEN WIRE MAINS
SUPPORT FROM CROSSARM - 3 PHASE**

| | |
|----------------------|---------|
| PROJECT No. | NET-STD |
| PROJTRAK No. | - |
| Sheet 01 of 1 Sheets | |
| A4 | 152481 |
| | 5 |