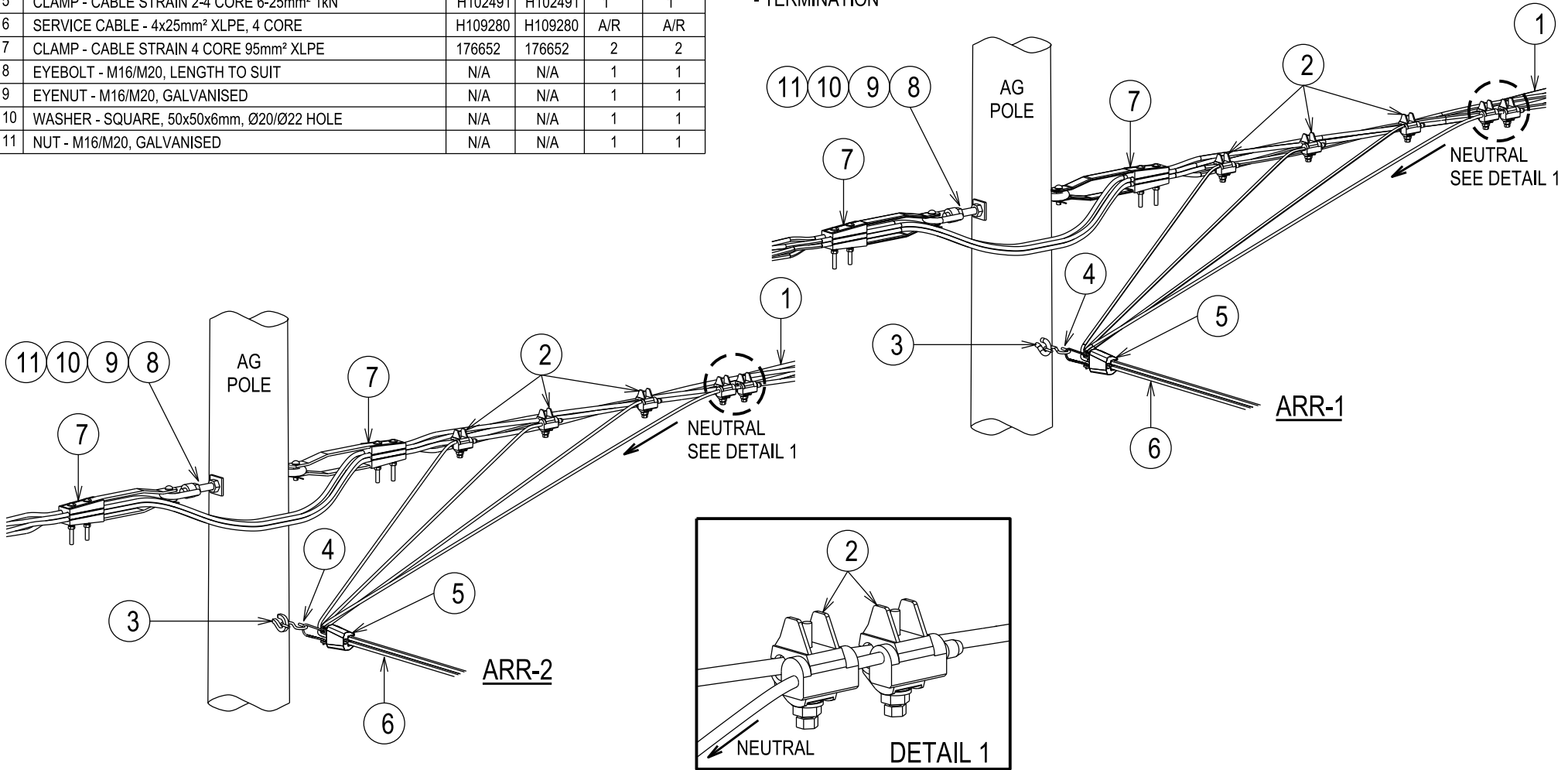


No.	DESCRIPTION	STOCK		QTY	
		95mm ²	150mm ²	ARR-1	ARR-2
1	MAINS CABLE - 4 CORE 95/150mm ² XLPE ABC	67959	TBD	A/R	A/R
2	CONNECTOR - IPC 95-25/ 150-95mm ²	73593	143891	5	5
3	SCREW - COACH HOOK M12x146mm	H75697	H75697	1	-
	HOOK - 'J' SPIKE	1370	1370	-	1
4	LINK - WEAK CONNECTING 1.5kN	H81976	H81976	1	1
5	CLAMP - CABLE STRAIN 2-4 CORE 6-25mm ² 1kN	H102491	H102491	1	1
6	SERVICE CABLE - 4x25mm ² XLPE, 4 CORE	H109280	H109280	A/R	A/R
7	CLAMP - CABLE STRAIN 4 CORE 95mm ² XLPE	176652	176652	2	2
8	EYEBOLT - M16/M20, LENGTH TO SUIT	N/A	N/A	1	1
9	EYENUT - M16/M20, GALVANISED	N/A	N/A	1	1
10	WASHER - SQUARE, 50x50x6mm, Ø20/Ø22 HOLE	N/A	N/A <td 1	1	
11	NUT - M16/M20, GALVANISED	N/A	N/A	1	1

NOTE :

1. CREATE THE NEUTRAL WITH THE GREATEST CABLE SLACKNESS.
2. LOW VOLTAGE DISTRIBUTION MAINS CAN BE :
 - SUSPENSION OR,
 - THROUGH STRAIN OR,
 - TERMINATION



CAD DRAWING
DO NOT MANUALLY AMEND
AMENDMENTS

DWN: PATRICIA RIOS
CHKD: HIRI EHAMPARAM

DATE: 03/04/2014
NEUTRAL CONNECTION
CHANGED, DETAIL 1
ADDED, MATERIAL LIST
AMENDED.

APPD: MATTHEW CUPPLES

5

NETWORK STANDARD
Ausgrid

145 NEWCASTLE RD
WALLSEND NSW 2287
PHONE: 4951 9388
FAX: 4591 9389

DESIGNED	ROBERT KNOWLES
DRAWN	PATRICIA RIOS
CHECKED	ROBERT KNOWLES
AUTHORISED	GREG SKINNER
DATE	02/07/04
SCALE	NTS
MAP REF.	
LGA	

STANDARD CONSTRUCTION
100AMP ABC MAINS
SUPPORT FROM POLE - 3 PHASE

PROJECT No.	NET-STD
PROJTRAK No.	-
Sheet 01 of 1 Sheets	
A4	152475
	5