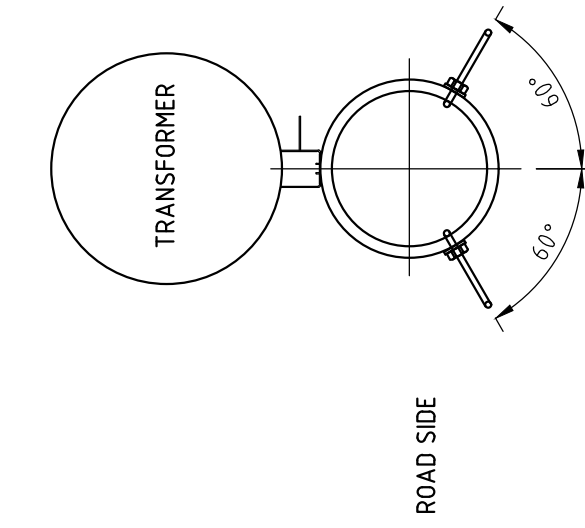


REFERENCE DRAWING
TITLE
DRAWING No
POLE TRANSFORMER - 1 PHASE COMPOSITE POLE GENERAL ARRANGEMENT 244227

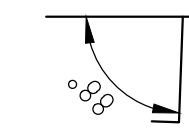
**NOTES**

- THIS DRAWING IS TO BE READ IN CONJUNCTION WITH NETWORK STANDARDS T22 AND T28.
- THIS DRAWING IS FOR ITEM Td OF DRAWING 244227 AND SHOWS HOLES WHICH WILL BE DRILLED BY THE POLE MANUFACTURER BEFORE POLE DELIVERY. ALL OTHER HOLES REQUIRED FOR THE INSTALLATION ARE TO BE DRILLED ON SITE IN THE LOCATIONS SHOWN.
- REFER TO DRAWING 244227 FOR ITEMS NUMBERS SHOWN IN CIRCLES. HOLES SIZES ARE SHOWN IN SQUARES AND ARE TO BE DRILLED AS PER HOLE SIZE TABLE.
- HOLES FOR CROSSARMS AND TRANSFORMER MOUNTING BRACKET ARE TO BE SYMMETRICAL TO AXIS OF POLE. HOLES FOR POLE STEPS ARE TO BE DRILLED AT ANGLES SHOWN ON POLE STEP DETAIL AND PLAN.

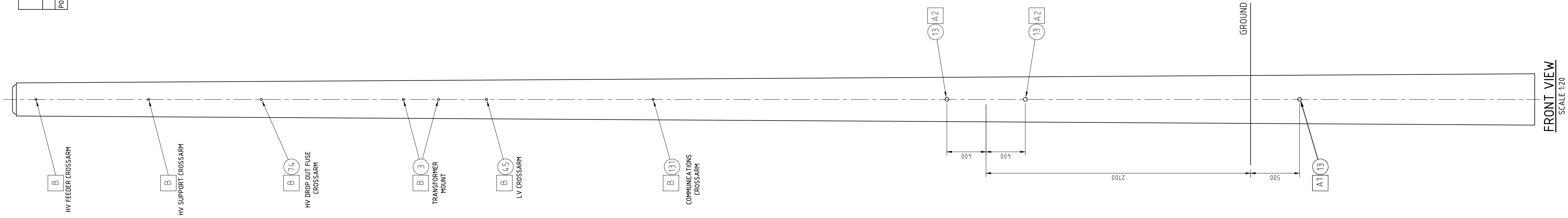
HOLE SIZES		
DESIGNATION	USE	SIZE
A1	EARTH CABLES	Ø41
A2	EARTH CABLES	Ø44
A3	EARTH CABLES	Ø51
B	CROSSARMS & TRANSFORMER MOUNTING	Ø22
C	POLE STEPS	Ø30



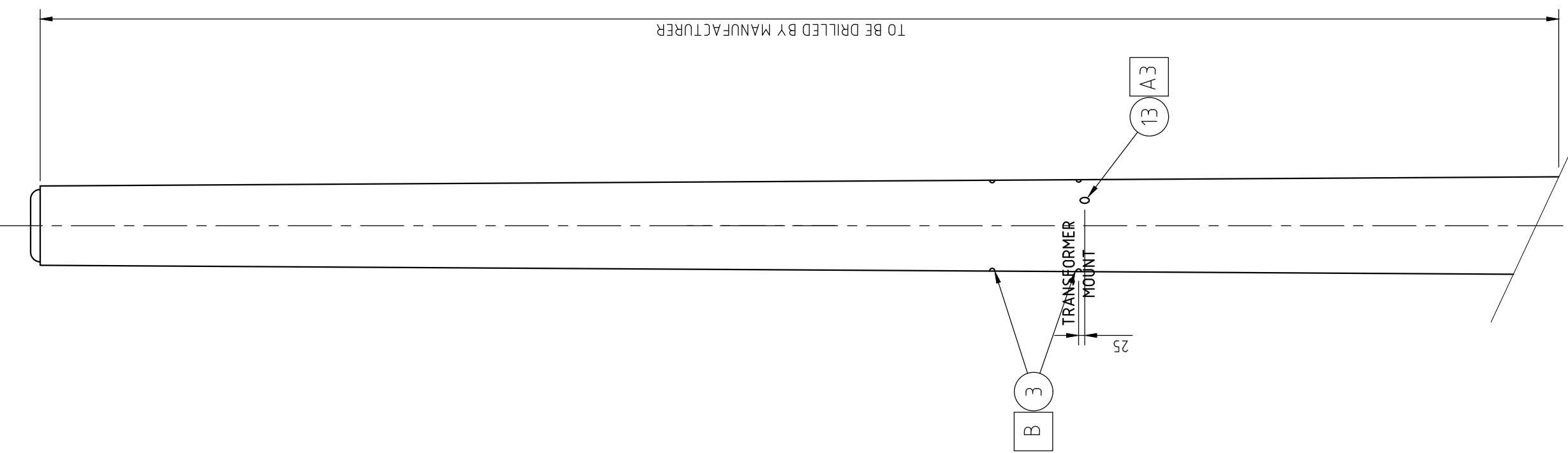
**PLAN VIEW**  
SHOWING POLE STEPS  
SCALE 1:20



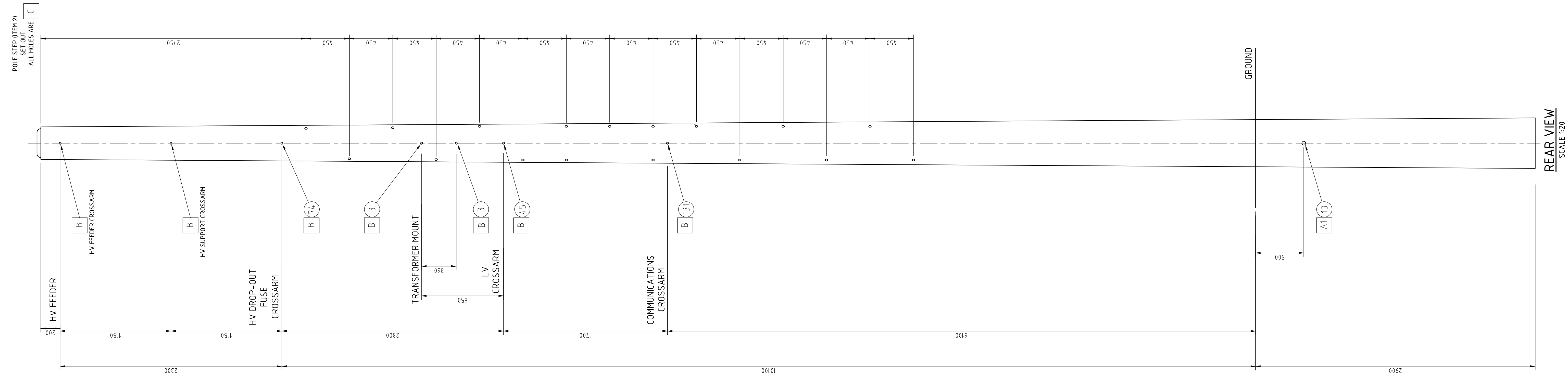
**POLE STEP DETAIL**  
SCALE 1:10



**FRONT VIEW**  
SCALE 1:20



**PART END VIEW**  
SCALE 1:20



**REAR VIEW**  
SCALE 1:20

CAD DRAWING  
DO NOT MANUALLY AMEND  
A RE DTEXTS

**CONSTRUCTION**



SCALE	AS SHOWN
DESIGNED	P. JARVIS
DRAWN	P. JARVIS
CHECKED	D. THENUNWARA
APPROVED	D. GRICEV
DATE	8.10.19
PROJECT NUMBER	129021840
PROJTRAK NUMBER	

STANDARD CONSTRUCTION	
SINGLE PHASE - 11kV/22kV COMPOSITE POLE MOUNTED DISTRIBUTION TRANSFORMER	
0-63kVA	
15.5 METRE POLE MANUFACTURER DRILLING	
SIZE	DRAWING No
B1	251879
SHEET	AMOUNT
1	0