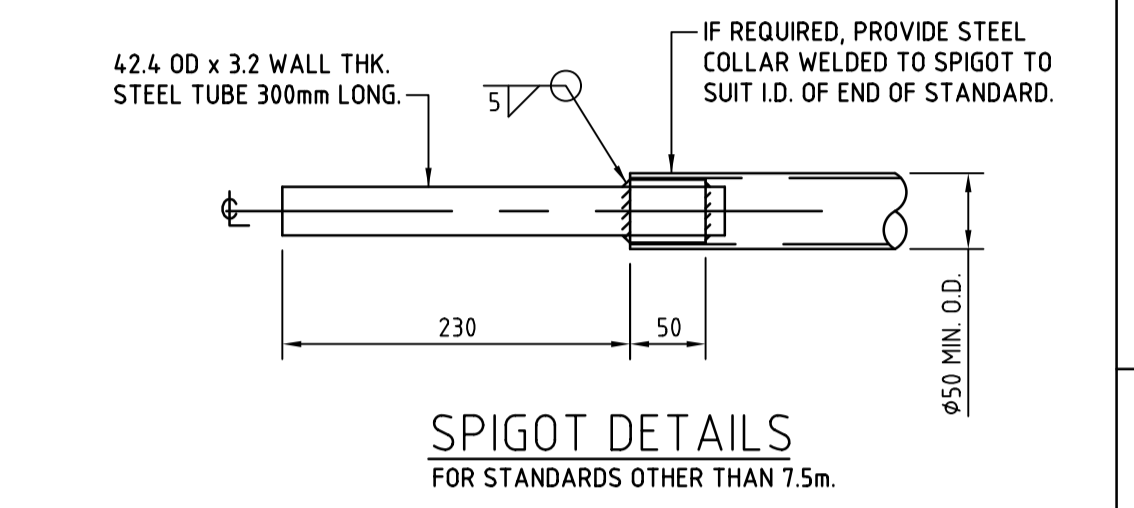
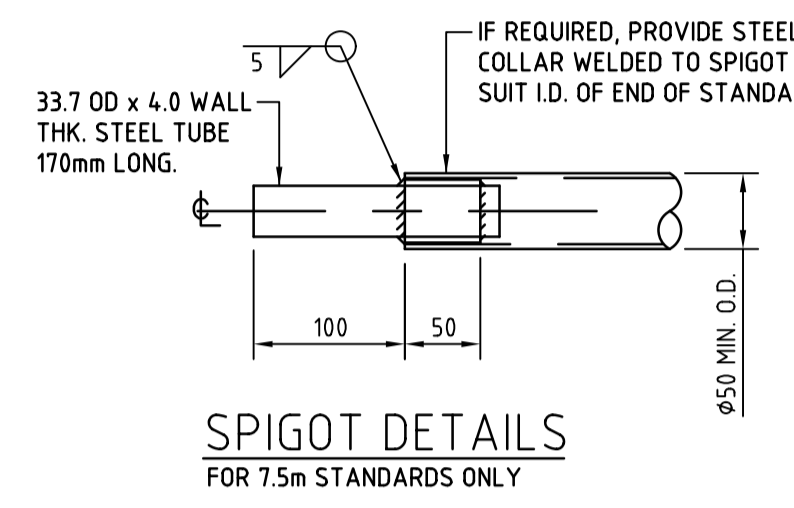
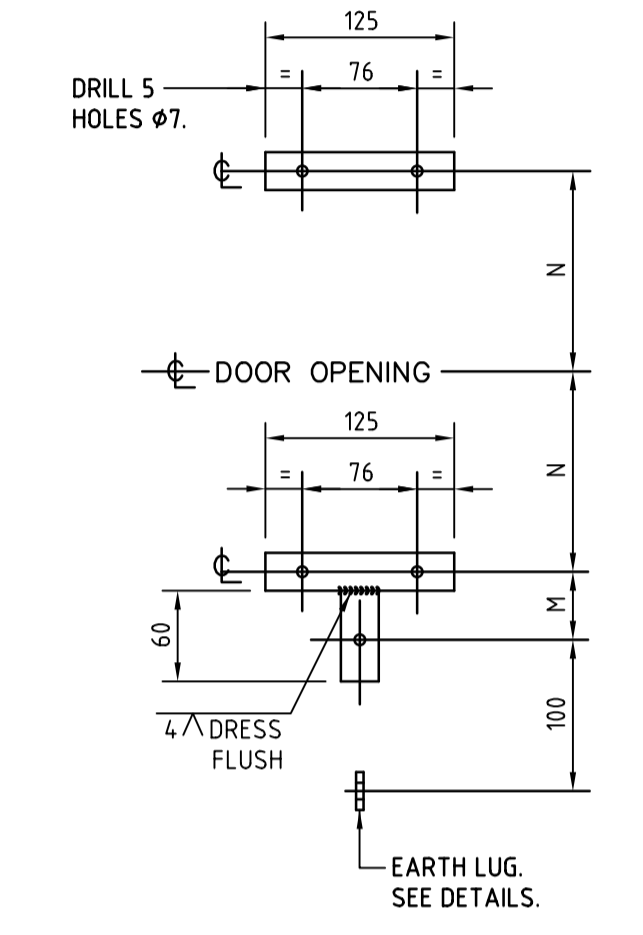
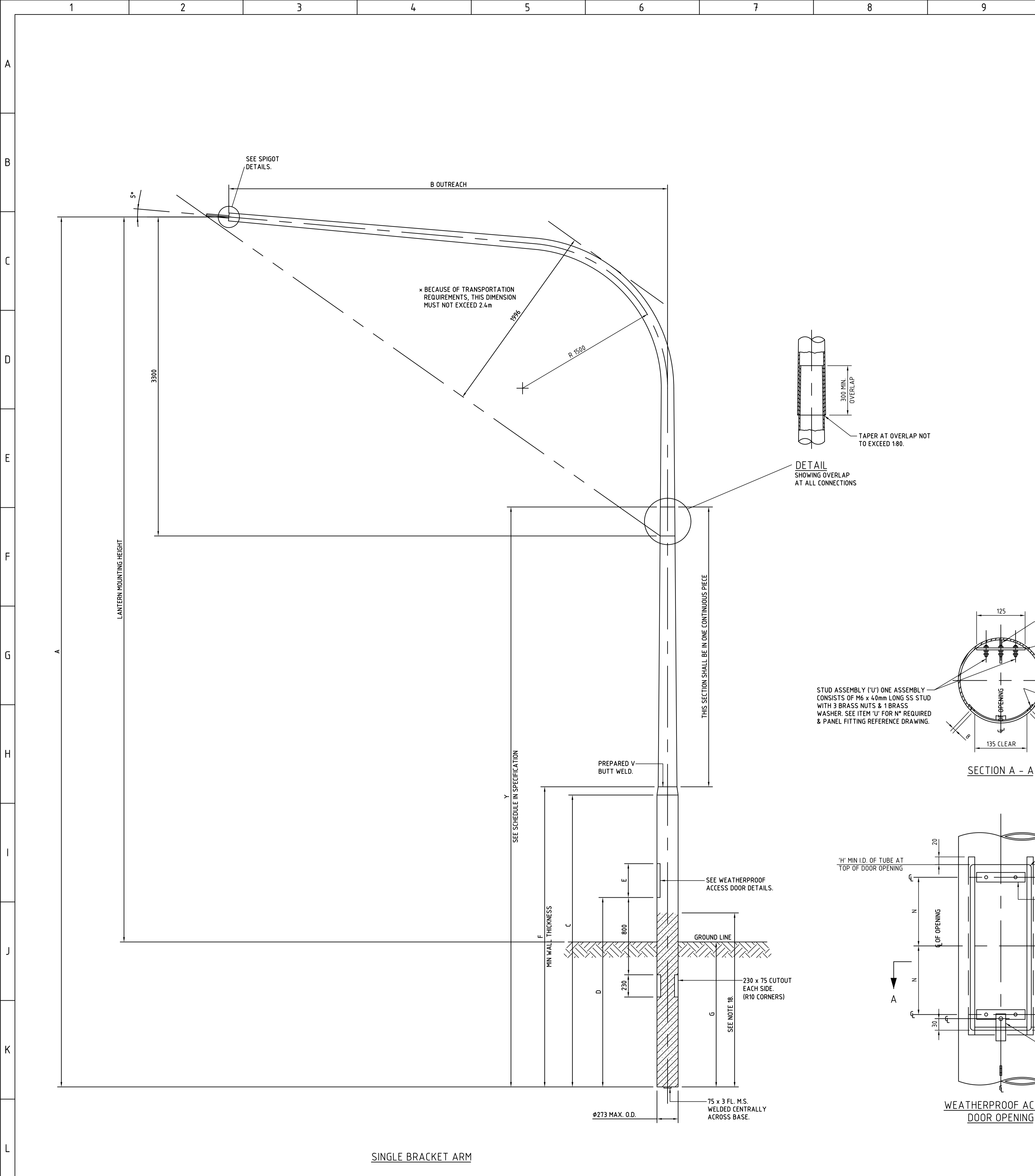


STANDARD LANTERN HOUSING HEIGHT	DESCRIPTION	STOCK CODE	A mm	B mm	C mm	D mm	E mm	F mm MIN	G mm	H mm MIN	M mm	N mm	U REQ'D	Y mm	REMARKS	
7.5m	7.5m 1 x 4.5m	184435	9000	4500	3020	1960	610	4.8	1500	210	45	286	5	B1-24969 A1-56312	6000	SEE REF E - 13
7.5m	7.5m 1 x 6.0m	184437	9000	6000	3020	1960	610	4.8	1500	210	45	286	5	B1-24969 A1-56312	6000	SEE REF E - 13
9.0m	9.0m 1 x 4.5m	184441	10500	4500	3020	1960	610	4.8	1500	210	45	286	5	B1-24969 A1-56312	7500	SEE REF E - 15
9.0m	9.0m 1 x 6.0m	184442	10500	6000	3020	1960	610	4.8	1500	210	45	286	5	B1-24969 A1-56312	7500	SEE REF E - 15
10.5m	10.5m 1 x 4.5m	127266	12250	4500	3270	2210	610	4.8	1750	210	45	286	5	B1-24969 A1-56312	9250	SEE REF E - 15
10.5m	10.5m 1 x 6.0m	90027	12250	6000	3270	2210	610	4.8	1750	210	45	286	5	B1-24969 A1-56312	9250	SEE REF E - 15
12.0m	12.0m 1 x 4.5m	79905	14000	4500	3520	2460	610	4.8	2000	210	45	286	5	B1-24969 A1-56312	11000	SEE REF E - 15
12.0m	12.0m 1 x 6.0m	104679	14000	6000	3520	2460	610	4.8	2000	210	45	286	5	B1-24969 A1-56312	11000	SEE REF E - 15



SAFETY IN DESIGN NOTES

THE DESIGNER SAFETY REPORT PREPARED BY AUSGRID DESIGNERS IS INTENDED TO MEET THE REQUIREMENTS OF THE SAFE WORK AUSTRALIA CODE OF PRACTICE JULY 2012 AND THE APPLICABLE NSW WHS 2011 REGULATIONS FOR DESIGNER SAFETY REPORT - 295.

- DESIGNER SAFETY REPORT - MECHANICAL WORKS - TRIM REFERENCE D16/145942
- THIS DESIGNER SAFETY REPORT CONSIDERS MECHANICAL DESIGN ISSUES ONLY AND DOES NOT ADDRESS ELECTRICAL, EARTHING ETC WHICH SHOULD BE ADDRESSED BY THE RELEVANT DESIGNER.
- STANDARD INDUSTRY HAZARDS & RISKS WILL STILL EXIST WITH THESE DESIGNS BUT MAY NOT BE NOTED IN THE DESIGNER SAFETY REPORT. THE REPORT INCLUDES ONLY UNUSUAL OR ATYPICAL RISKS ASSOCIATED WITH THE DESIGN.
- ALL WORK TO BE UNDERTAKEN IN ACCORDANCE WITH WHS LEGISLATION, WORKCOVER REQUIREMENTS, AUSGRID'S ELECTRICAL SAFETY RULES, BE SAFE PROCEDURES, NETWORK STANDARDS AND ALL OTHER SAFETY PLANS/PROCEDURES AND SWMS.

- REFERENCE DRAWINGS**
- M.E.D. LAMP CHOKE PANELS STREET LIGHTING COLUMNS B1-24969
 - H.P.S. LAMP CHOKE PANELS STREET LIGHTING COLUMNS A1-56312
 - STREET LIGHTING COLUMNS WIND LOADING ALLOWABLE CONDITIONS A2-18244
 - INSULATED SPIGOT (CLAMPED TYPE) FOR STREET LIGHTING COLUMNS. A2-15959
 - 33.7mm INSULATED SPIGOT CLAMP TYPE FOR STREET LIGHTING COLUMNS A2-240795

- NOTES**
- ALL STEELWORK TO BE FABRICATED IN ACCORDANCE WITH AS 3990.
 - UNLESS NOTED OTHERWISE:
 - ALL HOT ROLLED FLATS TO BE GRADE 250 MINIMUM IN ACCORDANCE WITH AS 1594.
 - ALL HOT ROLLED SECTIONS TO BE GRADE 250 MINIMUM IN ACCORDANCE WITH AS 3679.
 - ALL HOLLOW SECTIONS TO BE GRADE C350 IN ACCORDANCE WITH AS 1163.
 - AFTER FABRICATION, ALL BURRS AND SHARP EDGES TO BE REMOVED.
 - ALL WELDING TO BE IN ACCORDANCE WITH AS 1554 PART 1.
 - CONSUMABLES (ELECTRODES) SHALL BE MATCHED WITH THE STEEL TYPE IN COMPLIANCE WITH AS/NZS 1554.1 TABLE 4.6.1(A) & THE RELEVANT COLUMNS OF THE TABLE DEPENDING ON THE TYPE OF WELDING PROCESS BEING UNDERTAKEN.
 - UNLESS NOTED OTHERWISE:
 - ALL WELDS SHALL BE 6mm CONTINUOUS FILLET WELDS, CATEGORY GP.
 - BUTT WELDS SHALL BE CONTINUOUS FULL PENETRATION, CATEGORY SP.
 - ALL WELDS TO BE CARRIED OUT IN THE SHOP UNLESS NOTED AS "WELD ON SITE".
 - WELDS SHALL BE INSPECTED TO AS/NZS 1554.1 CLAUSE 7.3 (VISUAL INSPECTION OF WORK) UNLESS THE WELDING PROCESS IS SUPERVISED AND CARRIED OUT BY QUALIFIED PERSONNEL AS DEFINED IN AS/NZS 1554.1 CLAUSE 4.12.1 AND CLAUSE 4.12.2.
 - AFTER FABRICATION, ALL WELDS TO BE CHIPPED FREE OF SLAG.
 - AFTER FABRICATION, ALL STEELWORK TO BE HOT DIP GALVANISED TO AS 4680.
 - AFTER GALVANISING, ALL HOLES TO BE CLEARED AND SHARP EDGES TO BE REMOVED.
 - WHERE THE GALVANISING FINISH HAS BEEN DAMAGED, AREA TO BE TREATED WITH COLD GALVANISING PAINT SIMILAR TO ZINCFIX. COATINGS TO BE APPLIED IN ACCORDANCE WITH THE MANUFACTURERS INSTRUCTIONS.
 - ALL BOLTS, NUTS AND WASHERS TO BE HOT DIP GALVANISED TO AS 1214.
 - EACH SECTION OF COLUMN SHALL BE MADE FROM ONE CONTINUOUS LENGTH OF TUBE. SECTIONS JOINED BY WELDING WILL NOT BE ACCEPTED.
 - ALL WELDED JOINTS TO BE SEAL WELDED.
 - DRAWING TO BE READ IN CONJUNCTION WITH ASSOCIATED SPECIFICATION.
 - TOLERANCING IS TO BE IN ACCORDANCE WITH AS 1798.
 - COLUMNS SHALL BE CAPABLE OF SUPPORTING THE LANTERN MASS & WITHSTANDING THE WINDFORCES TO AS 1170.2 & AS SPECIFIED ON DRAWING A2-118244.
 - COAT BASE SECTION, FROM BOTTOM TO 300mm ABOVE GROUND LINE, WITH TWO (2) COATS OF 125MICRONS THICK, DULUX "DUREBLD S.T.E." EPOXY MASTIC.

CAD DRAWING
DO NOT MANUALLY AMEND

AMENDMENTS

- DIMENSION Y ADDED REF E-4, DIM H CLARIFIED REF F-7 & A-10, REF OUTREACH DIM ADDED REF F-2, C.SANDY 14.87
- OVERLAP DETAILS ALTERED REF A-5, DIM H CLARIFIED REF E-7, C.SANDY 22.98
- DIMENSION H 210 WAS 220, F 4.8 WAS 5, DOOR OPENING CLEARANCE F-4, ACCESS DOOR RELOCATED TO OPPOSITE SIDE OF POLE REF F-5, C.SANDY 23.1187
- NOTE ADDED ABOUT ONE CONTINUOUS PIECE REF D-5, C.SANDY 23.1388
- NOTE 8 ALTERED TO CURRENT REQUIREMENTS. SPIGOT DETAILS ALTERED REF F-6, C.SANDY 5.9.86
- NOTE 10, ACCESS DOOR REMOVED FROM REAR OF STANDARD WHEN VIEWED FROM ROADWAY, C.SANDY 29.5.89
- LENGTH OF STUDS NOW 40mm REF E-6, TITLE CHANGED, WALL THICKNESS CLARIFIED REF F-4, S/L NUMBERS & H added TO TABLE OF STUD ASSEMBLIES, C.SANDY 24.179
- REFERENCE DRAWING ADDED FOR SPIGOT DETAILS, C.SANDY 24.303
- UP LIFT WAS 10", NOW 5", REF B-1, C.SANDY 23.12.96
- AUS STANDARDS UPDATED, P.H. 7.5.01
- TRANSPORTATION DIM WAS 2.0m NOW 2.4m REF C-4, NOTE 9 ADDED, C.SANDY 23.9.02
- REFERENCE DRAWING ADDED FOR EARTH LUG DETAILS, C.SANDY 08.03.2016
- APPROVED: PHIL THURSON
- CHKD. T.T.
- APP'D. G.F.
- DATE: 28/02/2023
- STOCK CODES ADDED FOR LANTERN MOUNTINGS.

Ausgrid

MECHANICAL DESIGN
570 GEORGE STREET
SYDNEY NSW 2000

SCALE
DESIGNED: 1 : 5, 20
DRAWN: COLIN SAWDY
CHECKED: K.E.M.
APPROVED: J.H.
DATE: 26.02.1987
TRIM REF: 2016/2589
PROJECT NUMBER: ES 22531

STREET LIGHTING STEEL STANDARDS
4.5m OR 6m OUTREACH ARM
IN-GROUND MOUNTED
LIMITING DIMENSIONS

DRAWING No **66637** SHEET 1 AMD 18 SIZE B1

0 1 2 METRES ON ORIGINAL DRAWING AT SCALE 1:20