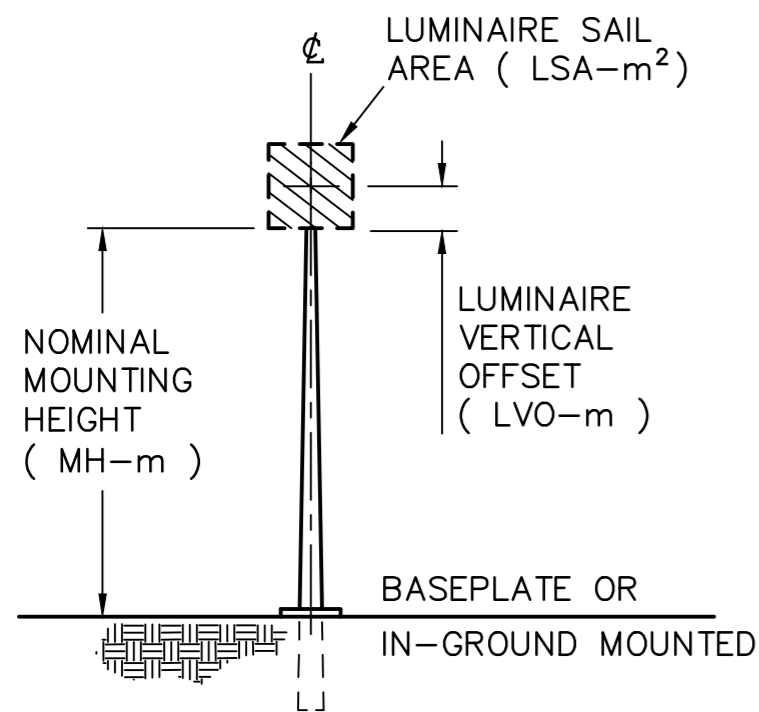


POST TOP COLUMN

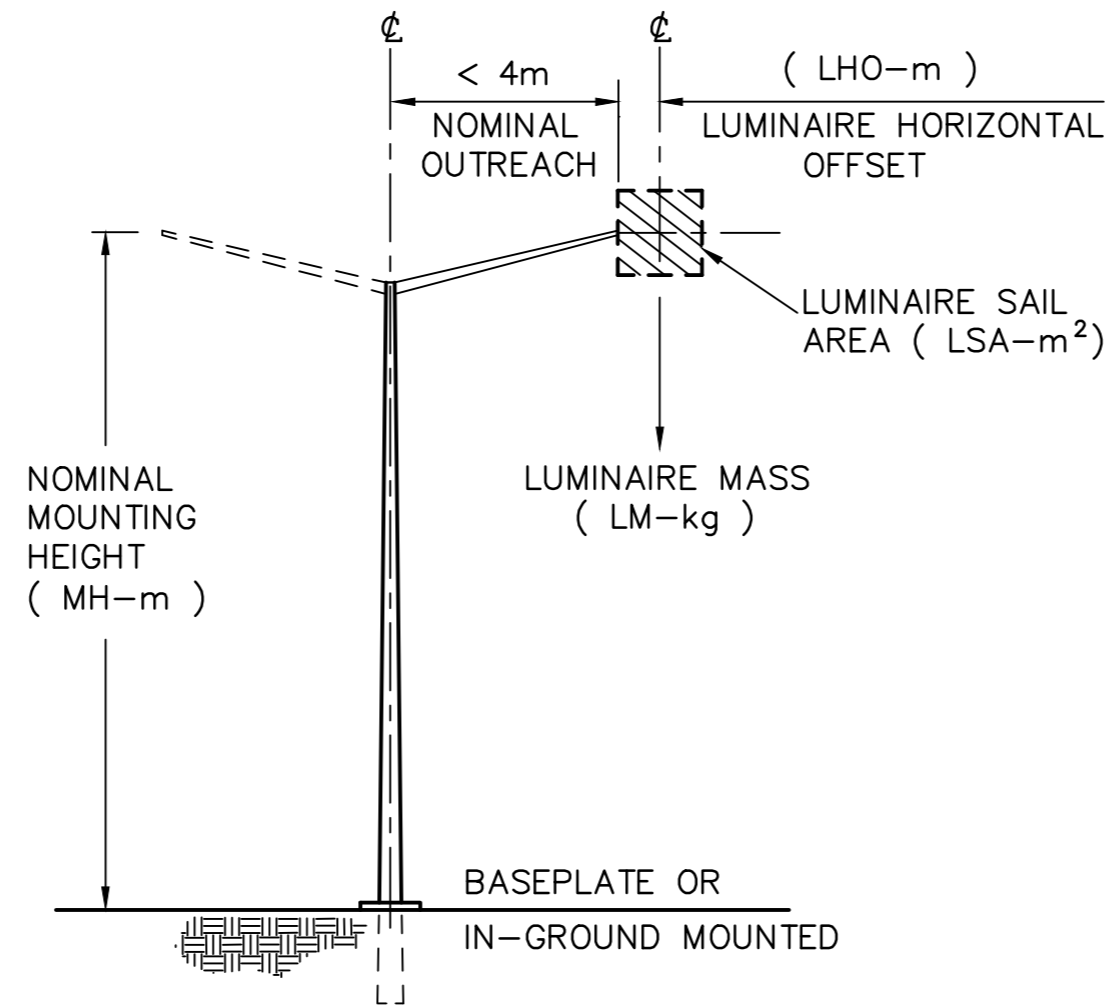


MH _m	LSA _{m²}	LVO _m
3.0	0.25	0.2
3.5	0.25	0.2
4.5	0.3*	0.3
7	0.3*	0.3
8.5	0.3*	0.3
10.5	0.3*	0.3

NOTE
* ALLOWS FOR A DIAMETER OF 600mm. OR EQUIVALENT.

OUTREACH COLUMN

WHERE NOMINAL OUTREACH IS < 4m.

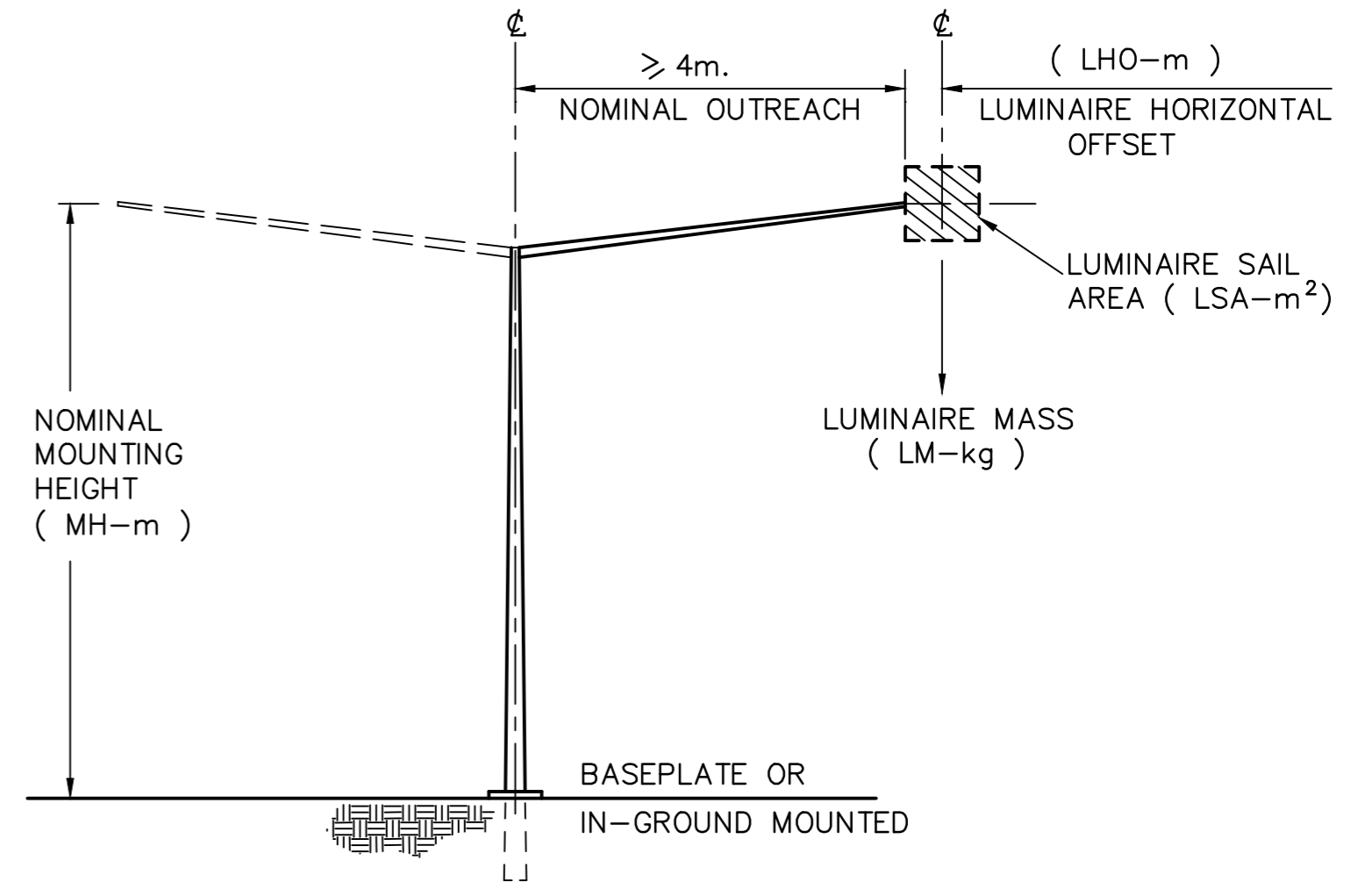


MH _m	LSA _{m²}	LM _{kg}	LHO _m
6	0.25	20	0.15
6.5	0.25	20	0.15
7.5	0.3	25	0.15
9	0.4	35	0.15
10.5	0.4	35	0.15
12	0.4	35	0.15

NOTE
LUMINAIRE SAIL AREA (LSA) + LUMINAIRE MASS (LM) COVERS THE ALLOWABLE CONDITION OF MOUNTING ONE TYPICAL SINGLE LUMINAIRE TOGETHER WITH ONE FLOODLIGHT PER OUTREACH.

OUTREACH COLUMN

WHERE NOMINAL OUTREACH IS > 4m.



MH _m	LSA _{m²}	LM _{kg}	LHO _m
6	0.15	12	0.15
6.5	0.15	12	0.15
7.5	0.18	15	0.15
9	0.2	18	0.15
10.5	0.2	18	0.15
12	0.2	18	0.15

NOTE
LUMINAIRE SAIL AREA (LSA) + LUMINAIRE MASS (LM) COVERS THE ALLOWABLE CONDITION OF MOUNTING ONE TYPICAL SINGLE LUMINAIRE OR FLOODLIGHT PER OUTREACH.

CAD DRAWING
DO NOT MANUALLY AMEND
AMENDMENTS
1. IN POST TOP COLUMN TABLE, NEW MHm DIM. ADDED 3m. MHm IN OUTREACH COLUMN TABLES 7.5 WAS 7. P.J.H. 30.10.2000
CHECKED P.H.
2. NEW AUSGRID BORDER & LOGO ADDED. R.LAALAA 9.10.2013 APPROVED T.LAMPARD



SCALE NTS.
DESIGNED
DRAWN R.G.
CHECKED K.E.M.
APPROVED EM-ES J.H.
DATE FEBRUARY 91
PROJECT NUMBER ES 24865
PROJTRAK NUMBER

**STREET LIGHTING COLUMNS
WIND LOADING
ALLOWABLE CONDITIONS**

SIZE A2 DRAWING No 118244 SHEET 1 AMD 2