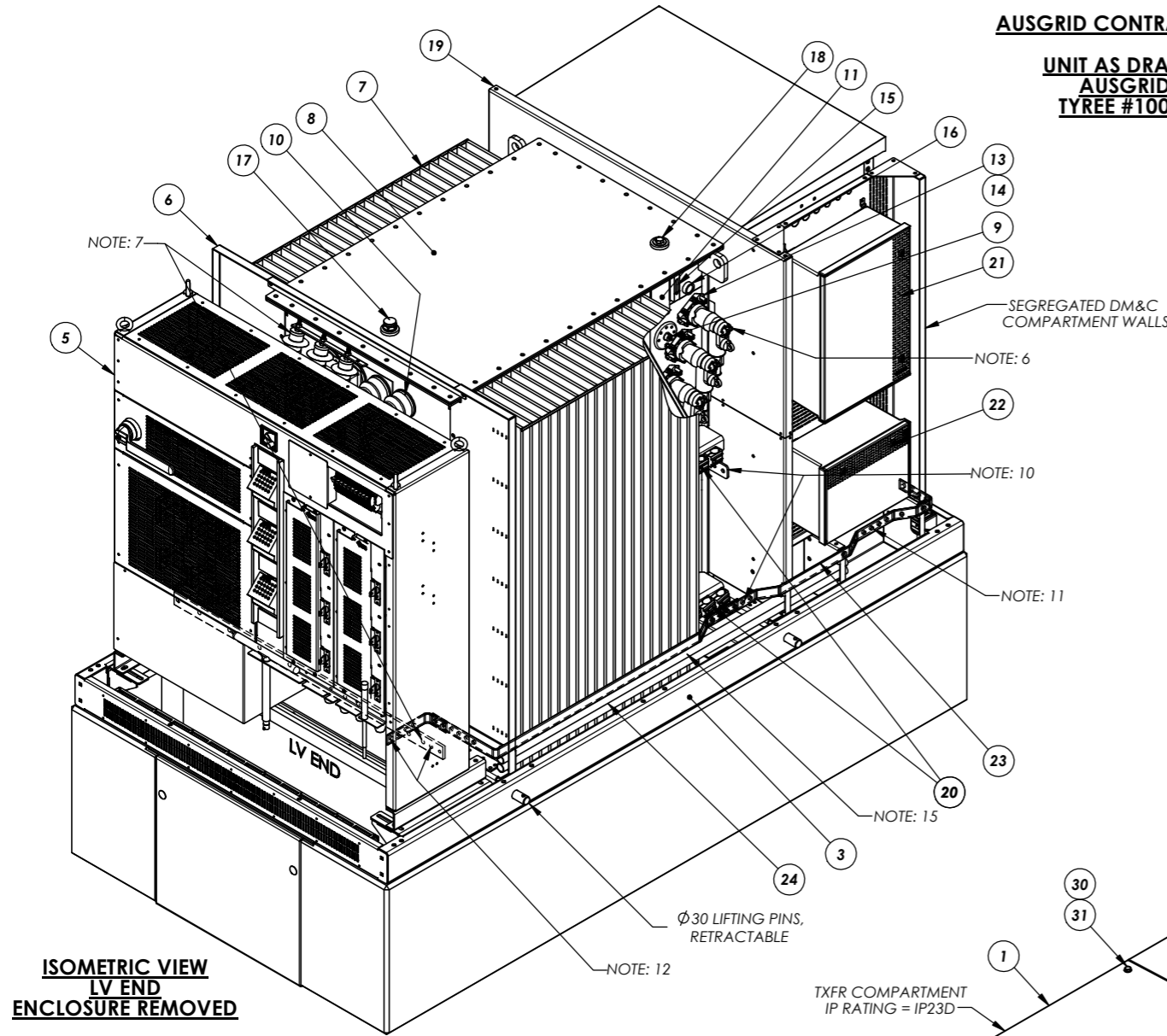


AUSGRID CONTRACT #CW2244809

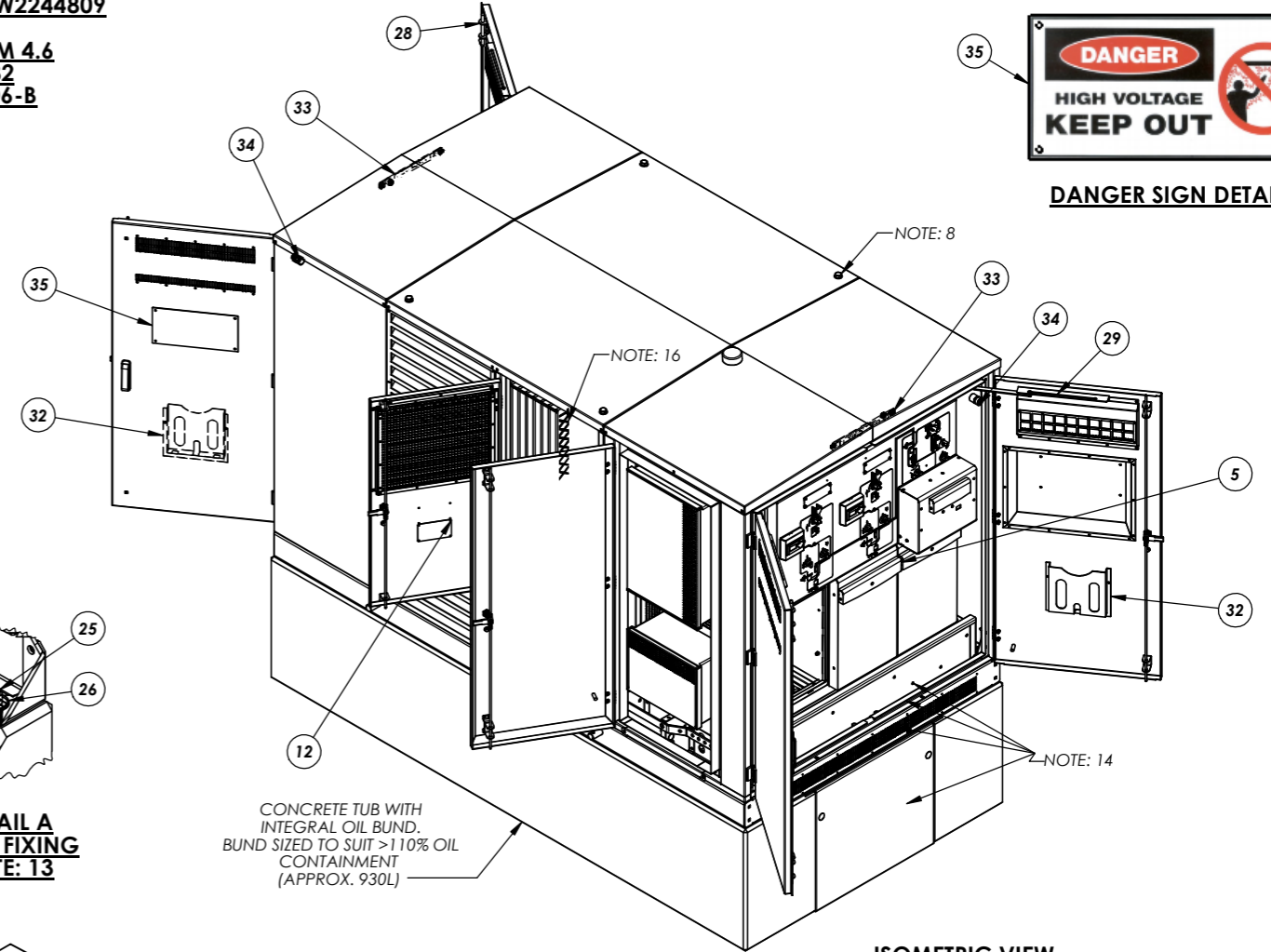
UNIT AS DRAWN: ITEM 4.6
 AUSGRID #178282
 TYREE #1000K4AU06-B



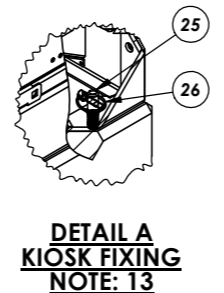
DANGER SIGN DETAIL



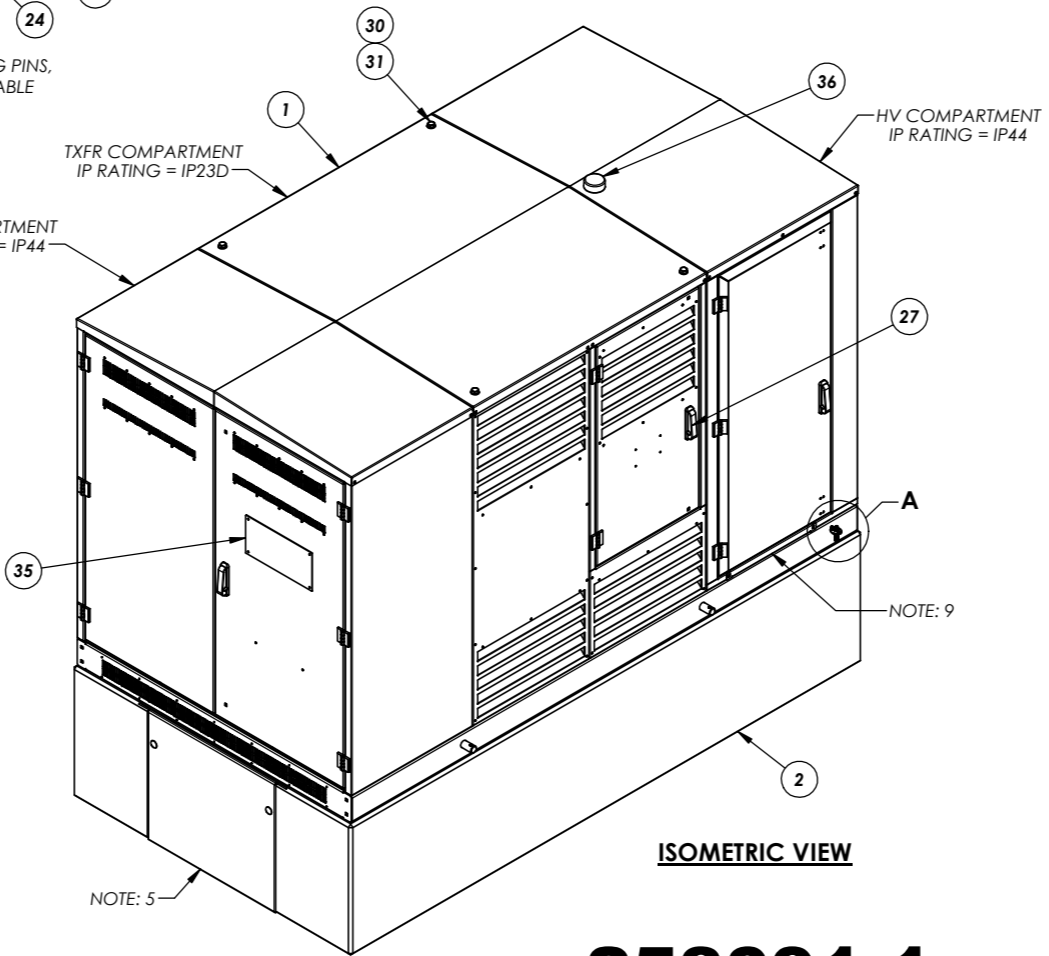
ISOMETRIC VIEW
 LV END
 ENCLOSURE REMOVED



ISOMETRIC VIEW
 HV END
 DOORS OPEN



DETAIL A
 KIOSK FIXING
 NOTE: 13



ISOMETRIC VIEW

NOTES:

- SOME ITEMS HIDDEN FOR CLARITY
- THE CONCRETE TUB AND THE KIOSK ARE SUPPLIED SEPARATELY
- REFER CONFIGURATION TABLE ON SHEET 2 FOR FULL PN# AND MASS DETAILS APPLICABLE TO EACH KVA SIZE
- FINISH COLOUR OF KIOSK ENCLOSURE IS G15 RAINFOREST GREEN, POWDERCOATED TO TYREE SPECIFICATION PS6408-115
- CONCRETE TUB IS SUPPLIED WITH REMOVABLE END PANELS MANUFACTURED FROM 304SS. EXTERNAL SURFACES OF THE CONCRETE TUB AND END PANELS ARE PAINTED G15 RAINFOREST GREEN. END PANELS ARE SUPPLIED WITH AN EARTHING TAB TO BE CONNECTED TO THE SUBSTATION EARTH BAR ON SITE USING THE PROVIDED 70mm2 V90 PVC G/Y COPPER EARTHING CABLES
- INTERCONNECTION FROM RMU TO TRANSFORMER SUPPLIED BY TYREE. CABLE TYPE IS 35mm2 EPR FLEXIBLE CU CABLE 12/20KV RATED TO MAINTAIN REQUIRED BEND RADIUS. CABLE IS SUPPORTED BY SHORT CIRCUIT TESTED CABLE CLAMPS
- LV SURGE ARRESTORS PROVIDED AS DRAWN, BRIDGED OUT AND CONNECTED TO LV NEUTRAL BAR USING 70mm2 V90 PVC BLACK COPPER CABLE AT LOCATION NOTED
- M16 BLIND THREADED BOSSES (x4) ARE PROVIDED IN THE ENCLOSURE ROOF TO ALLOW FITTING OF M16 THREADED LIFTING EYES FOR ENCLOSURE REMOVAL. SUPPLIED WITH BLANKING SCREWS AND WASHERS
- DM&C COMPARTMENT IS SUPPLIED WITH A REMOVABLE BOTTOM SILL WHICH CAN BE TAKEN OUT TO AID IN ENCLOSURE REMOVAL
- TRANSFORMER TANK EARTH LUG SUPPLIED WITH 2x DIA 13mm HOLES. TRANSFORMER TANK EARTHED TO SUBSTATION EARTH BAR WITH 2x 70mm2 V90 PVC G/Y COPPER EARTHING CABLES AT LOCATION NOTED
- EACH END OF THE RMU EARTH BAR IS CONNECTED WITH 1x 70mm2 V90 PVC G/Y COPPER EARTHING CABLES TO SUBSTATION EARTH BAR AT LOCATION NOTED (2 CABLES TOTAL)
- KIOSK IS SUPPLIED IN A COMBINED EARTHING ARRANGEMENT. DUPLICATE N/E LINK BETWEEN SUBSTATION EARTH BAR AND LV BOARD NEUTRAL BAR FROM 2x 70mm2 V90 PVC G/Y COPPER EARTHING CABLES AT LOCATION NOTED. CABLES SUPPLIED WITH TAG WITH WORDING 'FOR SEGREGATED EARTHING REMOVE THIS LINK'
- THE KIOSK IS SECURED TO THE CONCRETE TUB USING 4x M16 THREADED GUIDE PINS. THESE ARE SUPPLIED LOOSE WITH THE KIOSK AND ARE TO BE THREADED INTO THE M16 INSERTS IN THE CONCRETE TUB PRIOR TO LANDING. ALSO SUPPLIED ARE 4x LYNCH PINS TO BE FITTED TO PINS AFTER LANDING TO PREVENT DISLOCATION OF THE KIOSK DURING AN EVENT/COLLISION. GUIDE PINS ARE LOCATED IN EACH CORNER OF THE KIOSK. LOCATIONS ARE SUCH THAT THE KIOSKS CANNOT BE INSTALLED 180deg OUT OF POSITION.
- THESE 4 PANELS ARE REMOVABLE. AFTER REMOVAL THE RMU END BOXES ARE FULLY EXPOSED TO ALLOW ACCESS TO SPLIT GLAND PLATES AND EARTH BAR FOR CABLE INSTALLATION. CABLES CAN BE ROLLED INTO THE OPENINGS AS REQUIRED. COVERS ARE REINSTALLED THE SAME WAY THEY ARE TAKEN OFF. SUBSEQUENT REMOVAL OF COVERS DOES NOT AFFECT THE CABLE TERMINATIONS.
- 32mm RIGID CONDUITS x2 ARE PROVIDED FOR DM&C WIRING BETWEEN LV PANEL AND DM&C COMPARTMENT/BOX
- AUSGRID 'T' NUMBER STENCILLED TO SIDE OF FINWALL AS DRAWN, VIEWABLE WITH TRANSFORMER ACCESS DOOR OPEN.

Item No.	Qty.	UOM	StockCode	Description	Material
36	1	EA	4299-1781	ANTENNA, LTE, MIMO COMBO 2G/3G/4G	PVC Rigid
35	2	EA	0664-0388	'DANGER - HIGH VOLTAGE KEEP OUT' - AUSGRID STYLE	5052-H32 Aluminium
34	2	EA	4299-0864	LIGHT SWITCH	VARIOUS
33	2	EA	7500-0010	SW BATTEN LED CABINET LIGHT 240VAC	VARIOUS
32	2	EA	4299-0635	DRAWING POCKET	PVC Rigid
31	4	EA	4000-0084	SCREW M16 x 25 304SS	304 SS
30	4	EA	4006-0026	M16 SPRING WASHER 316SS	316 SS
29	4	EA	0710-3404	WIND STAY	304 SS
28	4	EA	4299-0633	S/S SPRING BOLT	316 SS
27	4	EA	4299-1765	SWING HANDLE - PADLOCKABLE - HIGH SECURITY	316 SS
26	4	EA	4299-1762	LYNCH PIN, 8mm DIAMETER x 34mm CAPTURE	304 SS
25	4	EA	0710-3395	GUIDE PIN	304 SS
24	2	EA	4299-0578	32mm OD CONDUIT, 2.25 WALL, 1600 LONG	PVC Rigid
23	1	EA	0710-3393	SUBSTATION EARTH BAR, 40x6.3mm CU	Tinned Copper
22	1	EA	0700-0125	BATTERY BOX, HxWxD = 300x400x200	Sheet Moulding Compound
21	1	EA	0700-0124	DMC BOX, HxWxD = 600x400x200	Sheet Moulding Compound
20	9	EA	4299-1646	CABLE CLAMP, DIA 27-32mm, ELLIS PATENTS	PP Copolymer
19	1	EA	0777-1474	HV INFILL PANEL	GALVABOND
18	1	EA	4221-0003	PLUG 25NB FLANGED BRASS	Brass
17	1	EA	4299-1773	PRESSURE RELIEF VALVE, 1" BSP, 50KPA	Brass
16	1	EA	0515-3403	25NB BRASS OIL SIGHT WITH FLOATING BALL	Brass
15	1	EA	0515-0011	OIL SIGHT GAUGE ASSEMBLY	CAST ALUMINIUM
14	3	EA	0516-0185	DEADBREAK INSERT, 200A (ELASTIMOLD)	Silicon Rubber
13	3	EA	0516-0380	200A, 33kV BUSHING WELL, TUF EX-WELL II (CENTRAL MALONEY)	THERMOPLASTIC
12	1	EA	REFER TABLE	MASS / SERIAL # PLATE	316 SS
11	1	EA	REFER TABLE	TXFR RATING PLATE	316 SS
10	4	EA	REFER TABLE	LV BUSHING, 2000A, 3.6kV, SPEC. PORCELAIN, 2 PIECE	PORCELAIN
9	1	EA	REFER TABLE	TAPSWITCH, 6 POSITION	VARIOUS
8	1	EA	REFER TABLE	COVER ASSEMBLY	250 GRD
7	1	EA	REFER TABLE	TANK ASSEMBLY	250 GRD
6	1	EA	REFER TABLE	LV INFILL PANEL	GALVABOND
5	1	EA	REFER TABLE	LV SWITCHGEAR ASSEMBLY	VARIOUS
4	1	EA	5500-0156	RING MAIN UNIT, 12kV, 200A, 3-WAY, L-L-F, SF6	VARIOUS
3	1	EA	0778-0181	STEEL SUB FRAME & ARC DUCT	GALVANISED STEEL
2	1	EA	0778-0180	CONCRETE TUB W/INTEGRAL BUND	Concrete Reinforced
1	1	EA	0776-0164	ENCLOSURE ASSEMBLY	304 SS

258091-1

Rev.	Date	By	Checked	Approved	Description
B	4/01/2023	NM	MS	NM	REVISED RMU DESCRIPTION

DESIGN STATUS: 3rd ANGLE PROJECTN
 TYREE
 Tyree Industries Pty Ltd
 7500 PLACE, MITTAGONG NSW 2575 AUSTRALIA
 ABN 12 100 920 063

PROJECT REF: L' TYREE KIOSK ARRANGEMENT
 TYREE 'K4AU' SERIES
 LAYOUT & NOTES
 0750-1633-B

SHEET: 1 OF 2
 MODIF NO: -
 SCALE: 1:20
 REV B
 SIZE A2