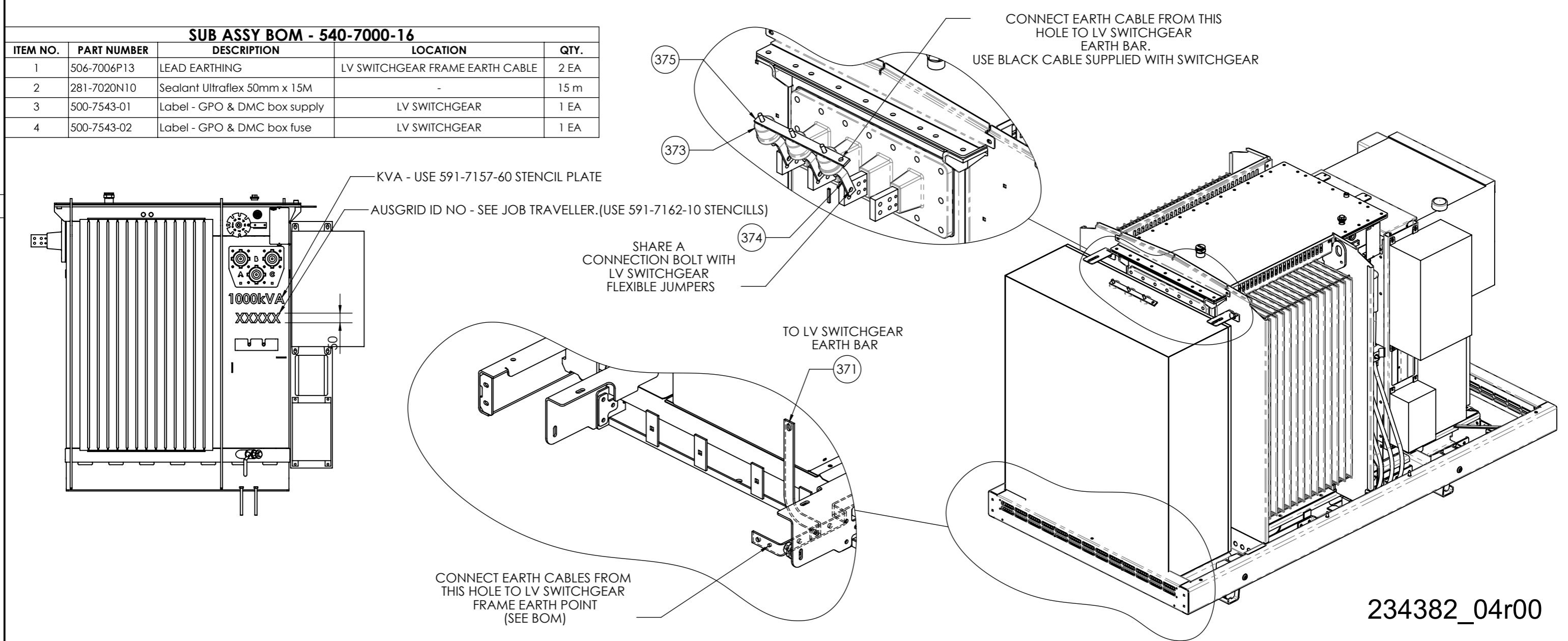


1	2	3	4	5	6	7	8	
ITEM NO.	PART NO.	DESCRIPTION	881-A009-13-AB/QTY.	881-A009-13-AC/QTY.	881-A009-13-AD/QTY.	881-A009-13-AE/QTY.	881-A009-13-AF/QTY.	881-A009-13-AG/QTY.
1	881-A009-14	KIOSK TRANSFORMER 1000kVA - NO LV SWITCHGEAR	1	1	1	1	1	1
2	061-7484-29	BUSBAR	1	1	1	1	1	1
3	787-7997-24	SWITCHGEAR SUPPORT	2	2	2	2	2	2
4	007-7008N10	SURGE ARRESTOR LV 510V 5kA	3	3	3	3	3	3
5	061-7484-32	BUSBAR	3	3	3	3	3	3
6	061-7484-33	BUSBAR	1	1	1	1	1	1
7	816-7646-02	SWITCHGEAR SCHNEIDER EZE102 - 1600A/4 WAY	1	-	-	-	-	-
8	816-7646-04	SWITCHGEAR SCHNEIDER EZE104 - 1600A/3 WAY	-	1	-	-	-	-
9	816-7646-06	SWITCHGEAR SCHNEIDER EZE106 - 1600A/2 WAY	-	-	1	-	-	-
10	816-7646-07	SWITCHGEAR SCHNEIDER EZE107 - 1600A/5 WAY	-	-	-	1	-	-
11	816-7646-08	SWITCHGEAR SCHNEIDER EZE108 - 1600A/4 WAY	-	-	-	-	1	-
12	816-7646-09	SWITCHGEAR SCHNEIDER EZE109 - 1600A/3 WAY	-	-	-	-	-	1
13	540-7000-16	CONTRACT - MRP ITEMS	1	1	1	1	1	1
14	133-7169-01	ELECTRICAL BOM	1	1	1	1	1	1

SUB ASSY BOM - 540-7000-16

ITEM NO.	PART NUMBER	DESCRIPTION	LOCATION	QTY.
1	506-7006P13	LEAD EARTHING	LV SWITCHGEAR FRAME EARTH CABLE	2 EA
2	281-7020N10	Sealant Ultraflex 50mm x 15M	-	15 m
3	500-7543-01	Label - GPO & DMC box supply	LV SWITCHGEAR	1 EA
4	500-7543-02	Label - GPO & DMC box fuse	LV SWITCHGEAR	1 EA



234382_04r00

FINISH: N/A

SHEET SIZE A3

THIRD ANGLE PROJ.

All Welds to conform to AS 1554 sections 1 to 6, Cat.GP & 2B, unless specified otherwise.

Min Weld Size	Thickness of thinnest part	Min. weld size
≤ 6mm	≤ 6mm	Thinnest mat. thickness 6 mm
> 6mm to 8 mm	> 6mm to 8 mm	Thinnest mat. less 2 mm
> 10 mm	> 10 mm	

Butt weld DDT to be "Incomplete penetration butt weld"

TOLERANCE UNLESS OTHERWISE STATED

LINEAR	ANGULAR
1 ±1 (0-2000)	1 ±1°
1 ±3 (>2000)	1.0 ±1°
1.0 ±0.5	1.00 ±0.05°
1.00 ±0.05	

WILSON TRANSFORMER
 WILSON TRANSFORMER CO. PTY. LTD.
 ACN 004 216 979

DESCRIPTION

KIOSK TRANSFORMER 1000kVA

SCALE 1:20 PAGE 4 OF 4 FILE NO. 881-A009-13

ALL DIMENSIONS ARE IN mm UNLESS OTHERWISE STATED

REV **B**