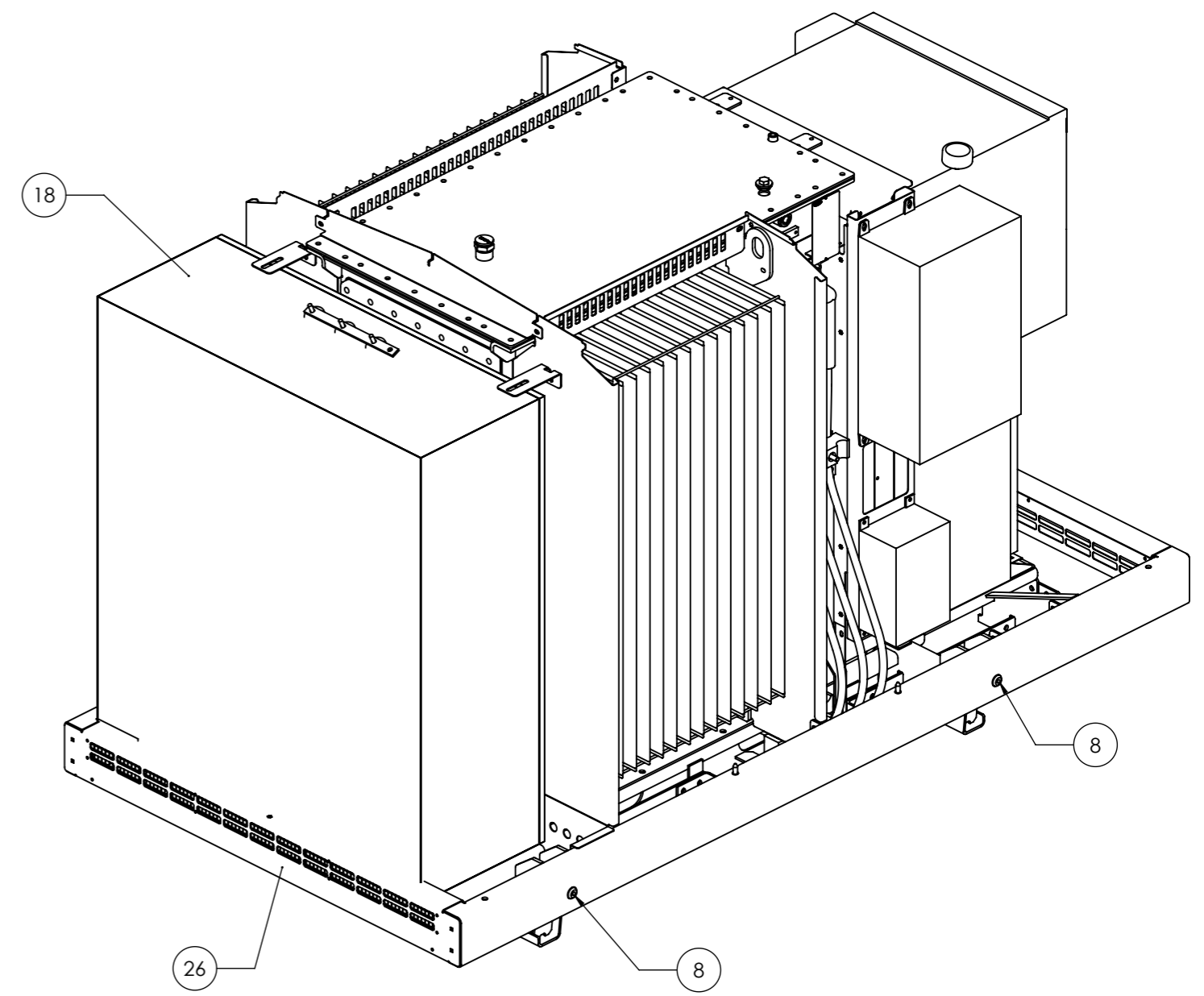
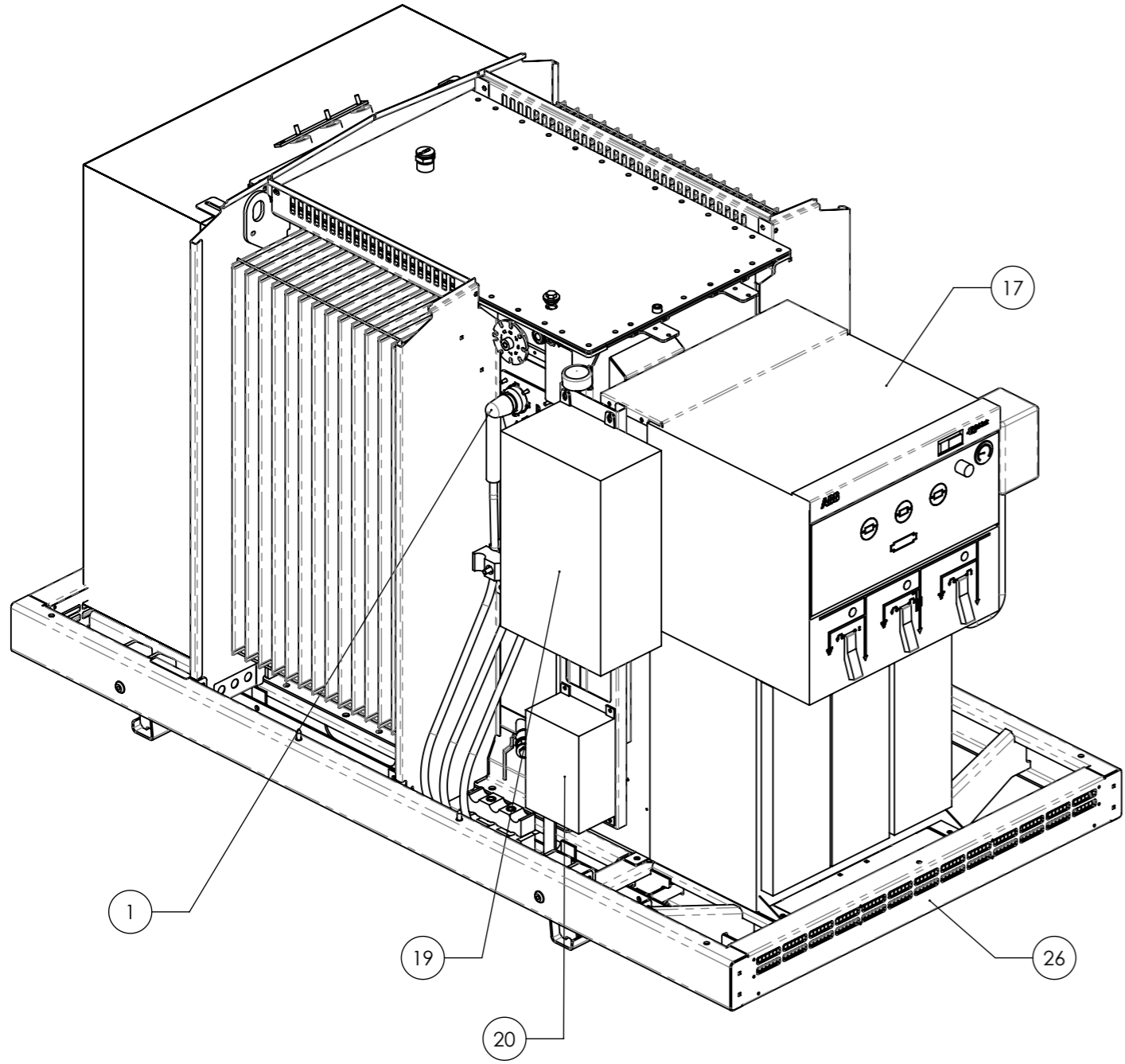


NOTE: ITEM NUMBERS ON THIS PAGER REFER TO DESCRIPTION LIST ON PAGE 1



234382\_02r00

FINISH: N/A

SHEET SIZE A3

All Welds to conform to AS 1554 sections 1 to 6, Cat.GP & 2B, unless specified otherwise.  
 Min Weld Size Thickness of thinnest part Min.weld size Thinnest mat. thickness  
 ≤ 6mm ≤ 6mm  
 > 6mm to 8 mm 6 mm  
 > 10 mm Thinnest mat. less 2 mm  
 Butt weld DDT to be "Incomplete penetration butt weld"

TOLERANCE UNLESS OTHERWISE STATED  
 LINEAR ANGULAR  
 1 ±1 (0-2000) 1 ±1°  
 1 ±3 (>2000) 1.0 ±1°  
 1.0 ±0.5 1.00 ±0.05°  
 1.00 ±0.05



WILSON TRANSFORMER CO. PTY. LTD.  
 ACN 004 216 979

DESCRIPTION  
**KIOSK TRANSFORMER 1000kVA**  
 SCALE 1:16 PAGE 2 OF 4  
 ALL DIMENSIONS ARE IN mm UNLESS OTHERWISE STATED

FILE NO. **881-A009-13**

REV **B**