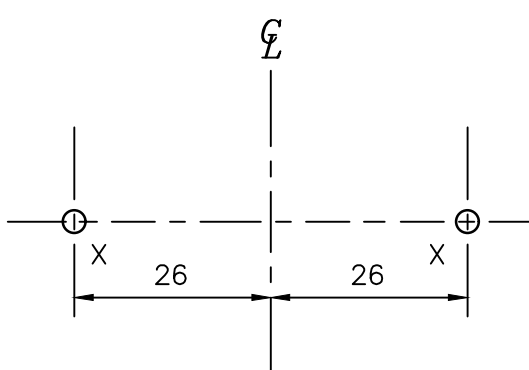
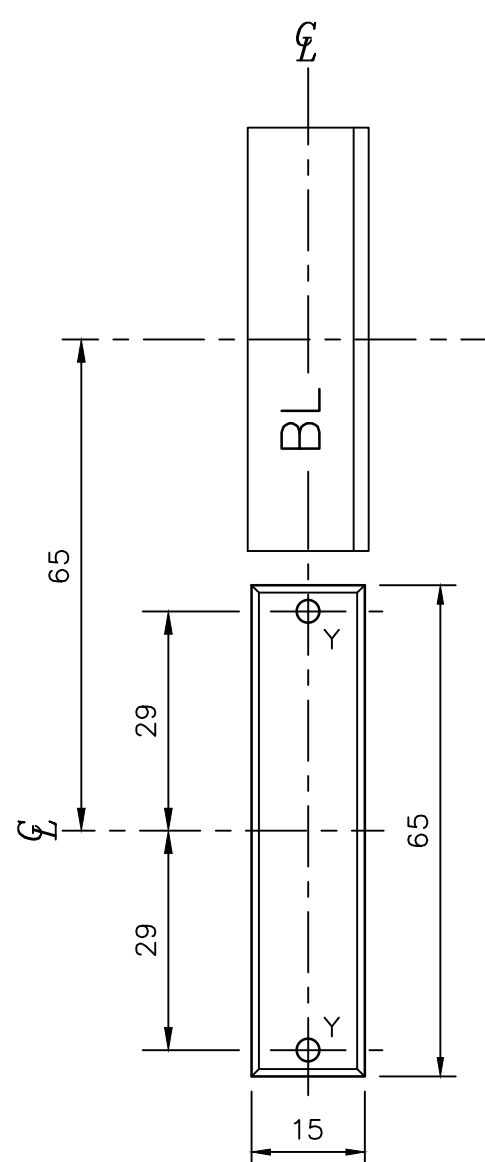


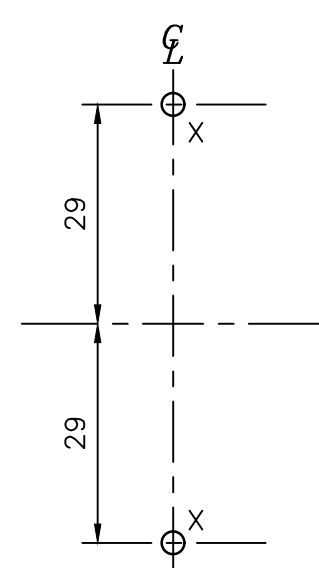
5C1
TEST LINK CARD (GROUP OF FOUR)



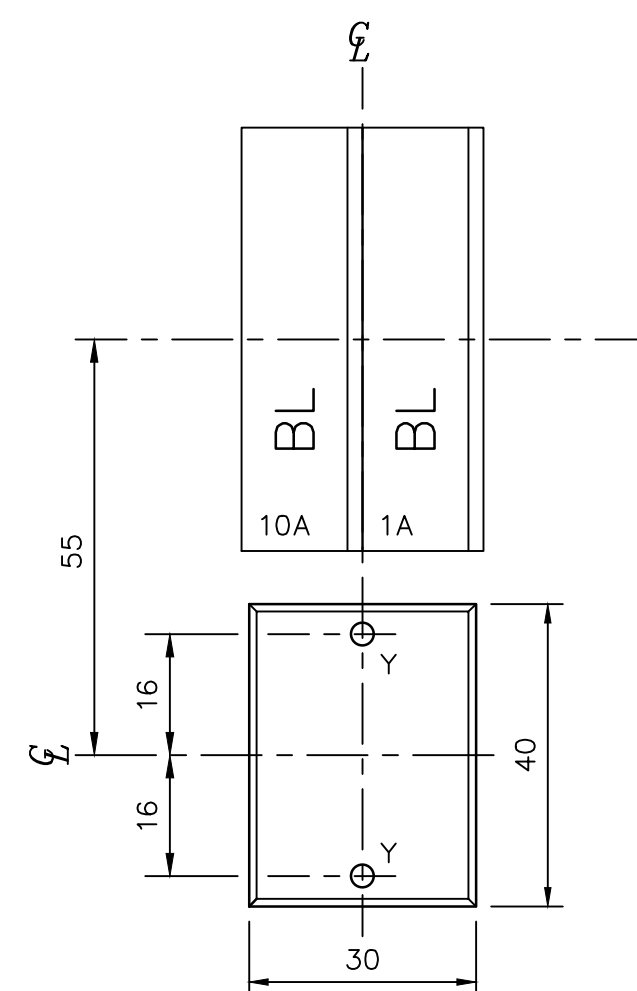
5C1
PANEL DRILLING



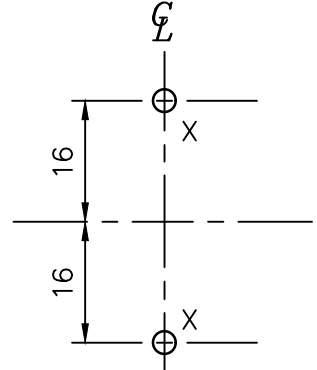
5C2
SINGLE BATTERY LINK CARD



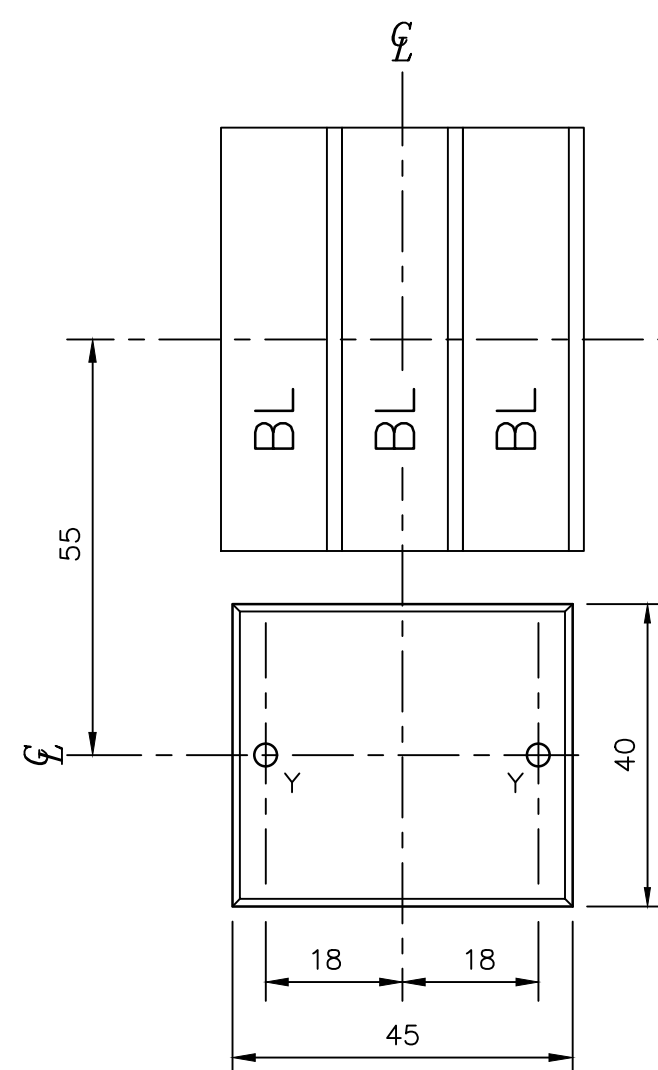
5C2
PANEL DRILLING



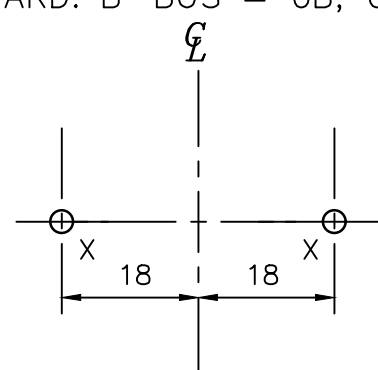
5C3
'A' BUS BATTERY LINK CARD



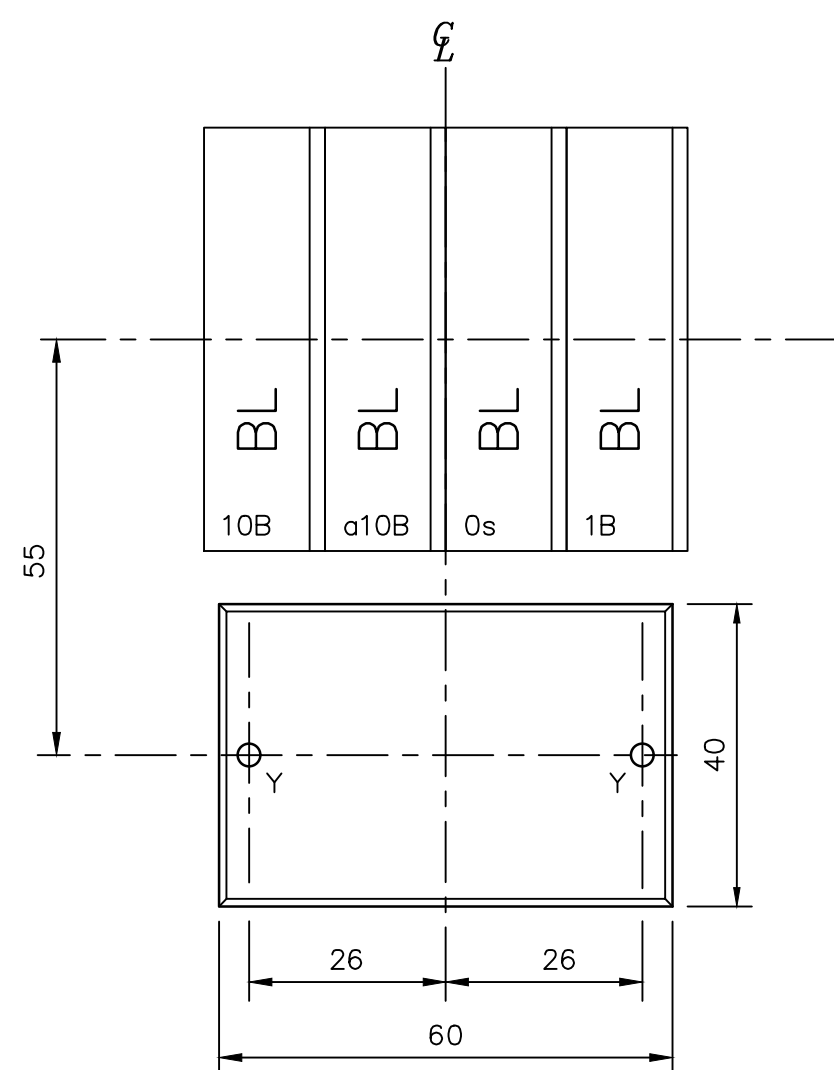
5C3
PANEL DRILLING



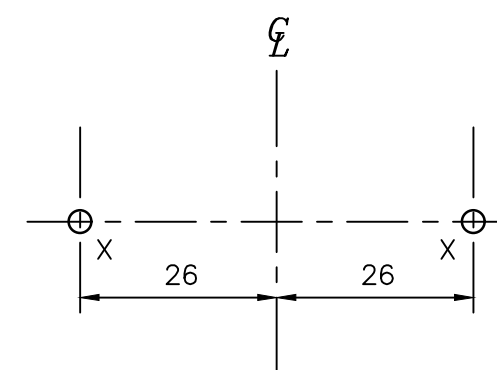
5C4 & 5C14
BATTERY LINK CARD
C4 CARD: 'B' BUS = 10B, 0B & 1B
C4 CARD: 'A' BUS = 10A, 010A & 1A
C14 CARD: 'B' BUS = 0B, 0cB & 1B



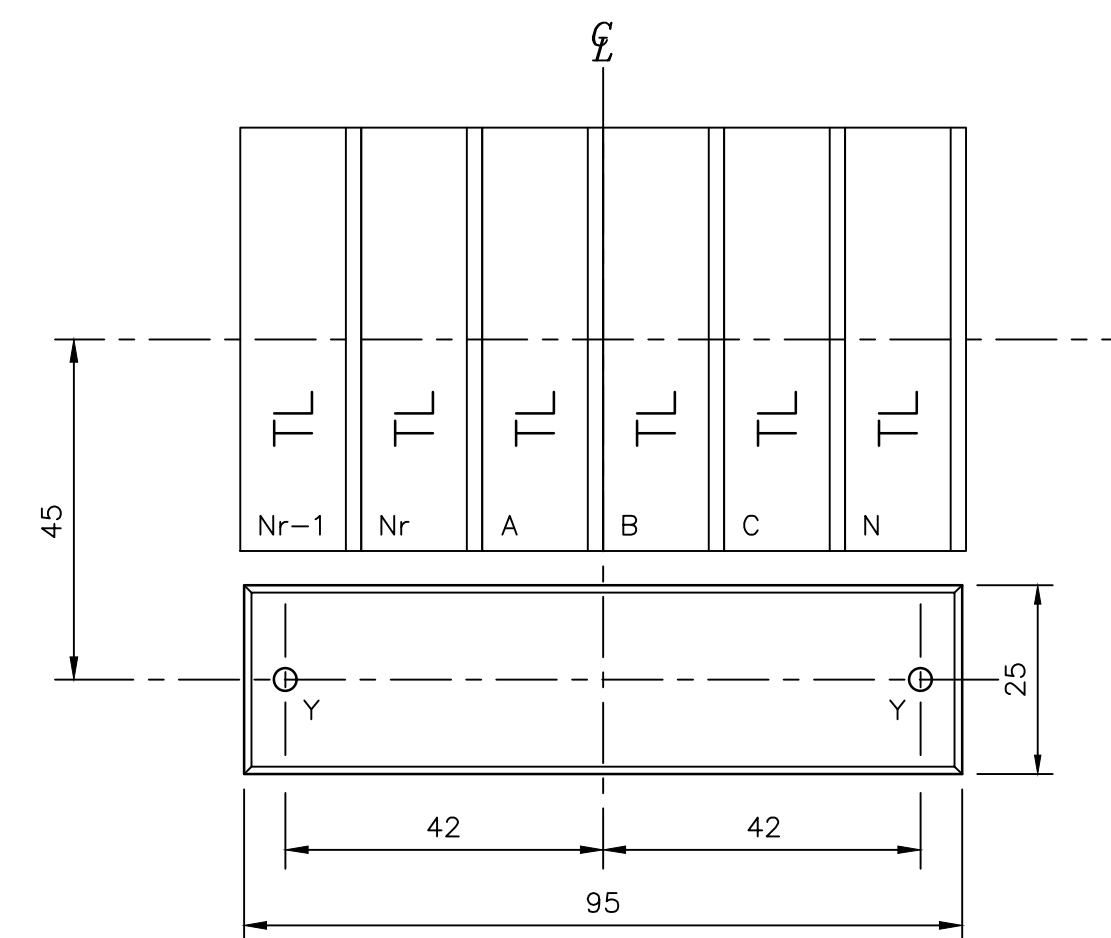
5C4 & 5C14
PANEL DRILLING



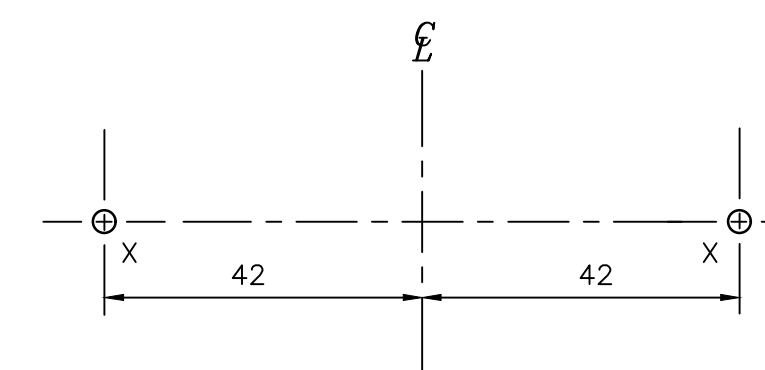
5C5
'B' BUS BATTERY CARD



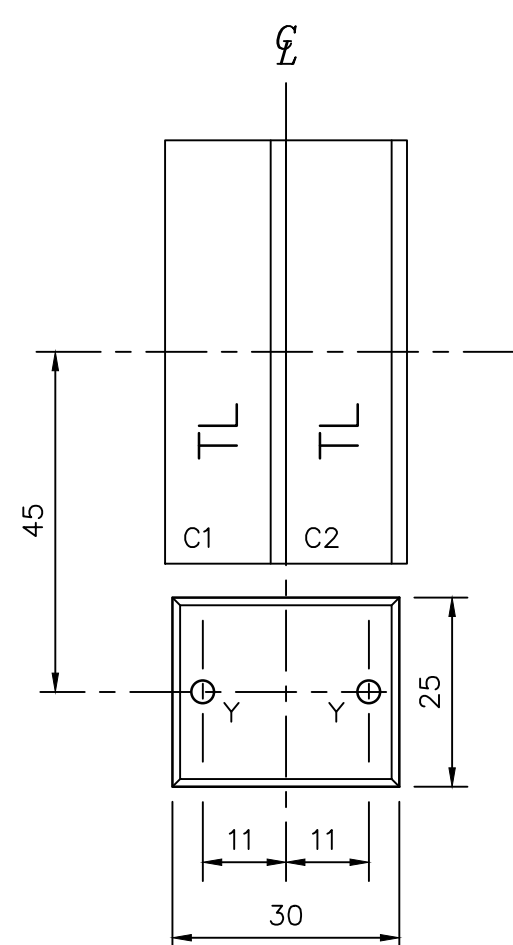
5C5
PANEL DRILLING



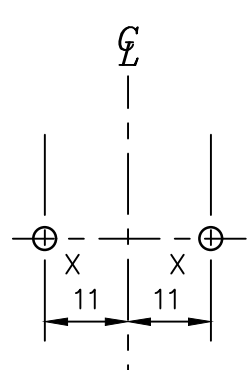
5C6
TEST LINK CARD (GROUP OF SIX)



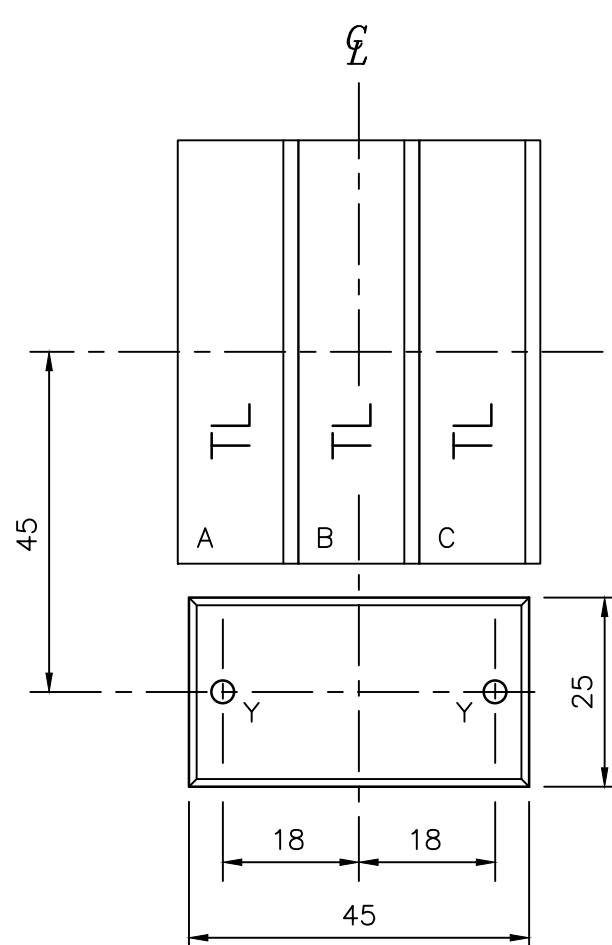
5C6
PANEL DRILLING



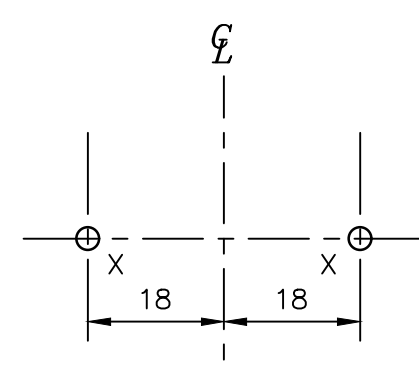
5C9
TEST LINK CARD
(GROUP OF TWO)



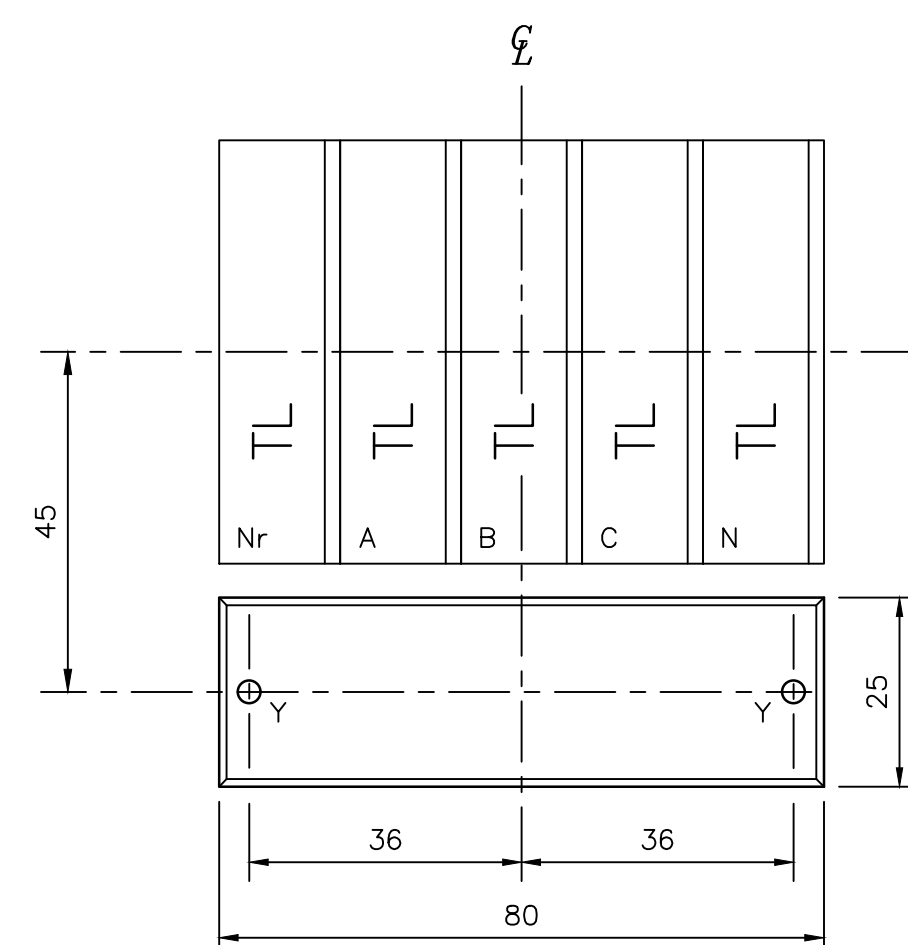
5C9
PANEL DRILLING



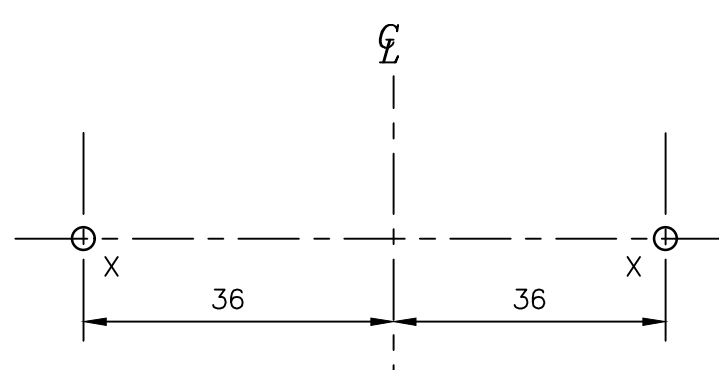
5C10
TEST LINK CARD
(GROUP OF THREE)



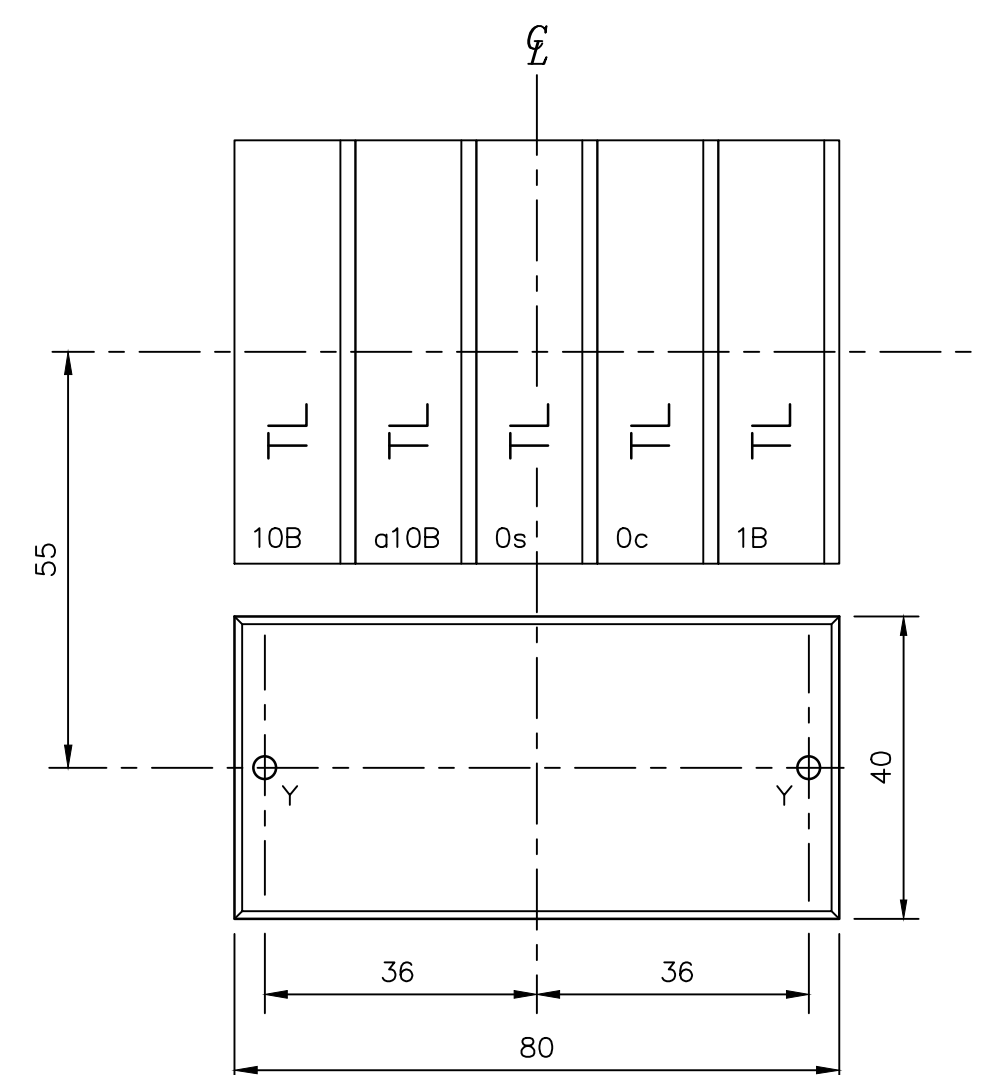
5C10
PANEL DRILLING



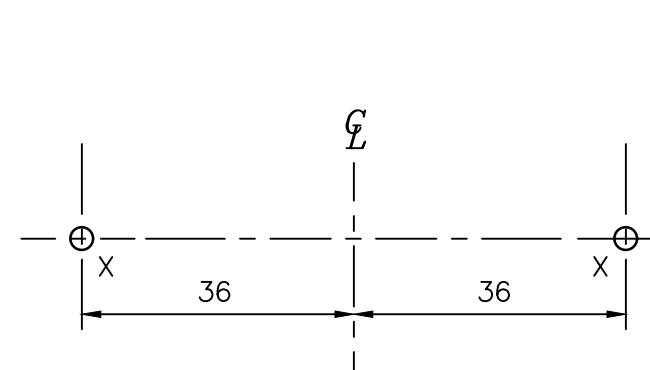
5C11
TEST LINK CARD
(GROUP OF FIVE)



5C11
PANEL DRILLING

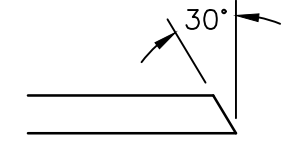


5C12
'B' BUS BATTERY CARD



5C12
PANEL DRILLING

NOTES:

- TERMINOLOGY OF ITEMS IS AS FOLLOWS:
BL - BATTERY LINK SINGLE LINK USED FOR A PARTICULAR FUNCTION.
TL - TEST LINK GROUPS OF 2, 3, 4, 5 & 6 LINKS USED FOR RELAY TEST FUNCTION.
F - FUSE (LAYOUT BASED ON 'BELL-MEM' FUSE TYPE MEM-702).
- CARDS ARE TO BE MANUFACTURED FROM OPAQUE MULTI LAMINATE MATERIAL UNLESS OTHERWISE SPECIFIED. COLOURS TO BE AS INDICATED IN THE TABLE BELOW.
- DRILLING DETAILS: 'X' HOLES ARE #2.6 FOR SCREW FASTENING OF LABEL.
'X' HOLES ARE #3 FOR PLASTIC RIVET FASTENING OF LABEL.
'Y' HOLES ARE #3.5
- EDGES ARE TO BE CHAMFERED 30° AS SHOWN: 
- MOULDED TYPE LINK ASSEMBLIES COMPLY TO DRAWING A2-38841.
- FOR LABEL ENGRAVING and PLASTIC RIVET FASTENING DETAILS - SEE B1-64825.

MOULDED TYPE M6 LINK ASSEMBLIES LABEL & DRILLING DETAILS	50996 sht 1&3
MOULDED TYPE M6 LINK ASSEMBLIES LABEL ENGRAVING DETAILS	64825 sht 1
MOULDED TYPE M5 LINK ASSEMBLIES LABEL ENGRAVING DETAILS	64825 sht 2
5mm LINK ASSEMBLY AND DRILLING DETAILS	50711
WIRE TERMINATION CODING AND LOOMING DETAILS	52474

REFERENCE DRAWINGS

A M E N D M E N T S						
AMD	DATE	DESCRIPTION	DRAWN BY	DESIGNED BY	CHECKED BY	APPROVED BY
0	30/01/2015	INITIAL ISSUE	W.B.	W.B.	DP.	B.H.
1	25/10/2024	BORDER & TITLE BLOCK UPDATED	M.B.	M.B.	L.M.	M.B.



SCALE	1:1
DESIGNED	W.BYRNE
DRAWN	W.BYRNE
CHECKED	D.PEARCE
APPROVED	B.HAINES
DATE	30/01/2015
TRIM REF	-
PROJECT NUMBER	-

**MOULDED TYPE M5 LINKS
5C1 TO 5C14 LABELS
LABEL & DRILLING DETAILS**

ISSUED FOR
CONSTRUCTION

DRAWING No	50996	SHEET	2	AMD	1	SIZE	B1
------------	--------------	-------	---	-----	---	------	----