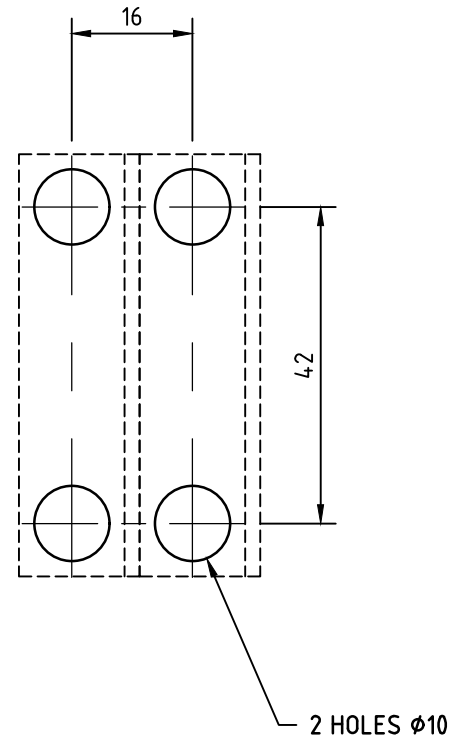


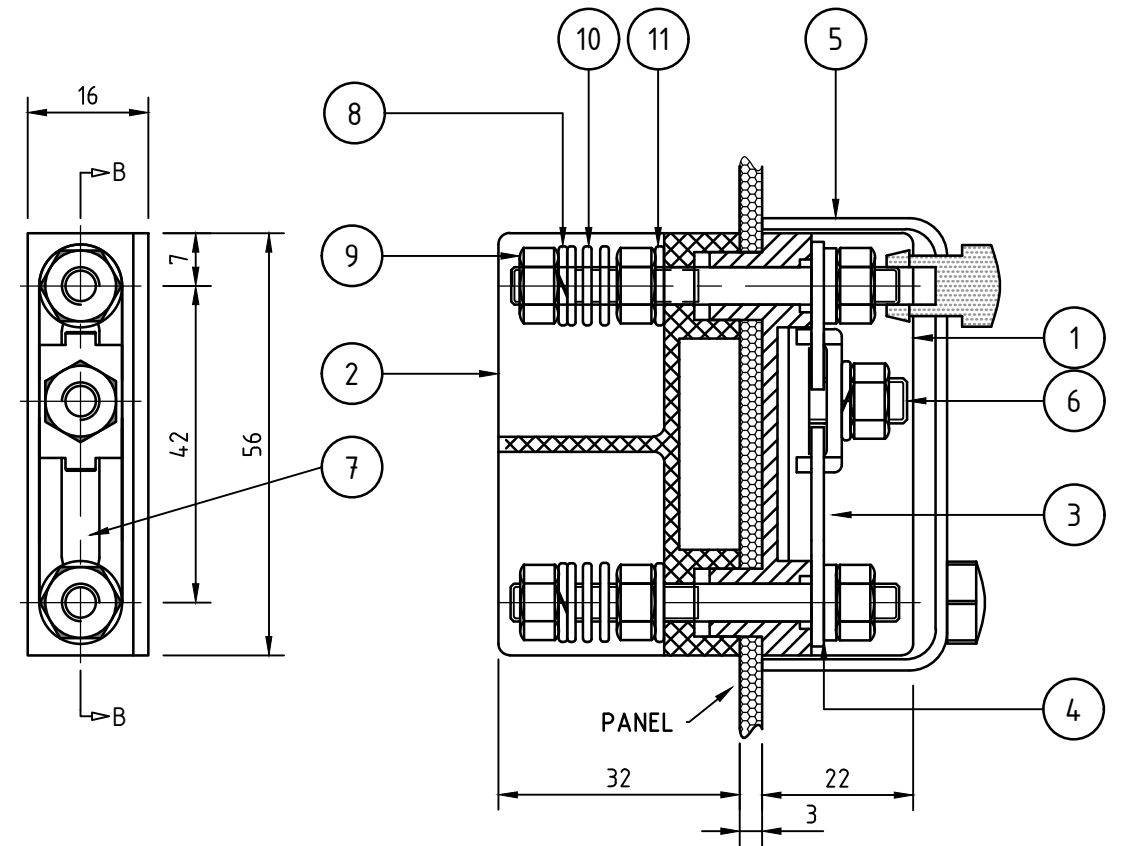
SECTION AA

FALL CLOSED ARRANGEMENT



PANEL DRILLING DETAILS

SCALE 1:1



SECTION BB

FALL OPEN ARRANGEMENT

| ASSEMBLY COLOUR | S/CODE |
|-----------------|--------|
| GREY | H28486 |
| WHITE | H28509 |
| BLACK | H28494 |

| QTY | ITEM | DESCRIPTION | MATERIAL | DWG |
|-----|------|-------------------------------|---------------------|--------|
| 2 | 11 | M5 EXTERNAL TOOTH LOCK WASHER | PHOSPHOR BRONZE | |
| 6 | 10 | M5 FLAT WASHER | S-STEEL - A ISI 304 | |
| 7 | 9 | M5 HEXAGONAL NUT | S-STEEL - A ISI 304 | |
| 3 | 8 | M5 SPRING WASHER | S-STEEL - A ISI 306 | |
| 1 | 7 | LINK TOP | STAINLESS STEEL | 507112 |
| 1 | 6 | LINK BASE | STAINLESS STEEL | 507112 |
| 1 | 5 | TRANSPARENT COVER | POLYCARBONATE | 508397 |
| 1 | 4 | LINK STUD ASSEMBLY | STAINLESS STEEL | 507112 |
| 1 | 3 | LINK STUD ASSEMBLY | STAINLESS STEEL | 507112 |
| 1 | 2 | REAR NYLON PIECE | NYLON | 507113 |
| 1 | 1 | FRONT NYLON PIECE | NYLON | 507113 |

LEGEND

SUBSTATION
MOULDED TYPE
M5 STUDDED LINK
ASSEMBLY
GENERAL ARRANGEMENT

THIS DWG SUPERSEDES
ELCOM DWG 140220A3/C
AND
AUSGRID DWG A3-147752

SUPPLIER: EUGAQUIP ENGINEERING 14 LINCOLN ST, MINTO NSW 2566

| | |
|---|----------------------------|
| CAD DRAWING DO NOT MANUALLY AMEND A M E N D M E N T S 5. REDRAWN IN CAD TITLE WAS: SUB- TRANSMISSION AND ZONE SUBSTATION 5mm SLIDING LINK ASSEMBLY AND DRILLING DETAILS N.FAINT 31-10-2014 CHECKED: M.BENNETT APPROVED: M.BENNETT 6. DRAWING TITLE ALTERED. FALL OPEN ARRANGEMENT CORRECTED FOR AS INSTALLED. M.LAWRENCE 17-09-2015 CHECKED: S.MUNRO APPROVED: S.MUNRO 7. BORDER & TITLE BLOCK UPDATED. M.BENNETT 24/10/2024 CHECKED: L.MARTINUZZI APPROVED: M.BENNETT | ISSUED FOR CONSTRUCTION |
| | PROJECT NUMBER |

24 Campbell Street
SYDNEY NSW 2000
P: 9272 3805

| | |
|-------------------|------------|
| SCALE | 1:1 |
| DESIGNED | E.C |
| DRAWN | E.C |
| CHECKED | E.C |
| APPROVED | J.TUBB |
| DATE | 26/01/1982 |
| TRIM REF | - |
| PROJECT NUMBER | - |

| | | | |
|-------------------|-----------------------------|-------------------|-----------------|
| SIZE A3 | DRAWING No 507111 | SHEET 1 | AMD 7 |
|-------------------|-----------------------------|-------------------|-----------------|