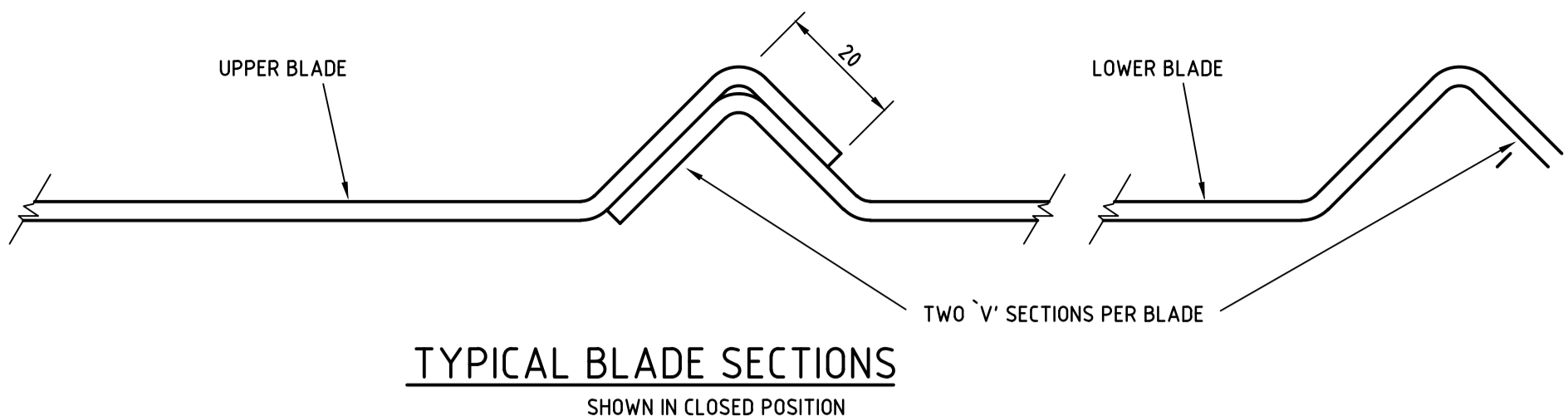


SUBURBAN BASEMENT SUBSTATIONS

DAMPER TYPE	ONE 1000kVA TRANSFORMER			TWO 1000kVA TRANSFORMERS			THREE 1000kVA TRANSFORMERS			ONE 1500kVA TRANSFORMER			TWO 1500kVA TRANSFORMERS			THREE 1500kVA TRANSFORMERS		
	FREE AREA m ²	WIDTH	DEPTH	FREE AREA m ²	WIDTH	DEPTH	FREE AREA m ²	WIDTH	DEPTH	FREE AREA m ²	WIDTH	DEPTH	FREE AREA m ²	WIDTH	DEPTH	FREE AREA m ²	WIDTH	DEPTH
INLET DAMPER	1.0	1000	1000	1.4	1000	1400	2.0	1000	1400	2.0	1000	1400	2.0	1000	1400	2.8	1000	1400
EXHAUST DAMPER	1.0	1000	1000	1.4	1000	1400	2.0	1000	1400	2.0	1000	1400	2.0	1000	1400	2.8	1000	1400



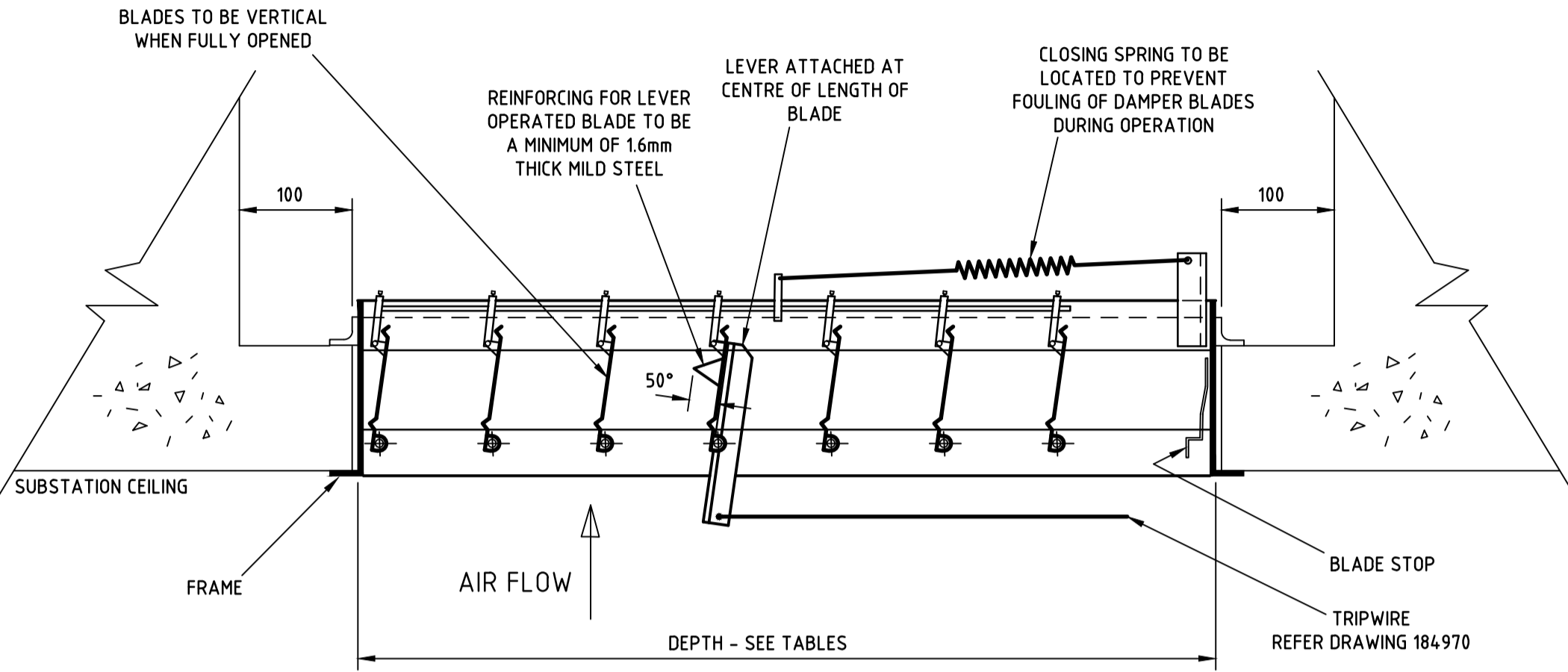
TYPICAL BLADE SECTIONS
SHOWN IN CLOSED POSITION

ALL CBD BASEMENT SUBSTATIONS

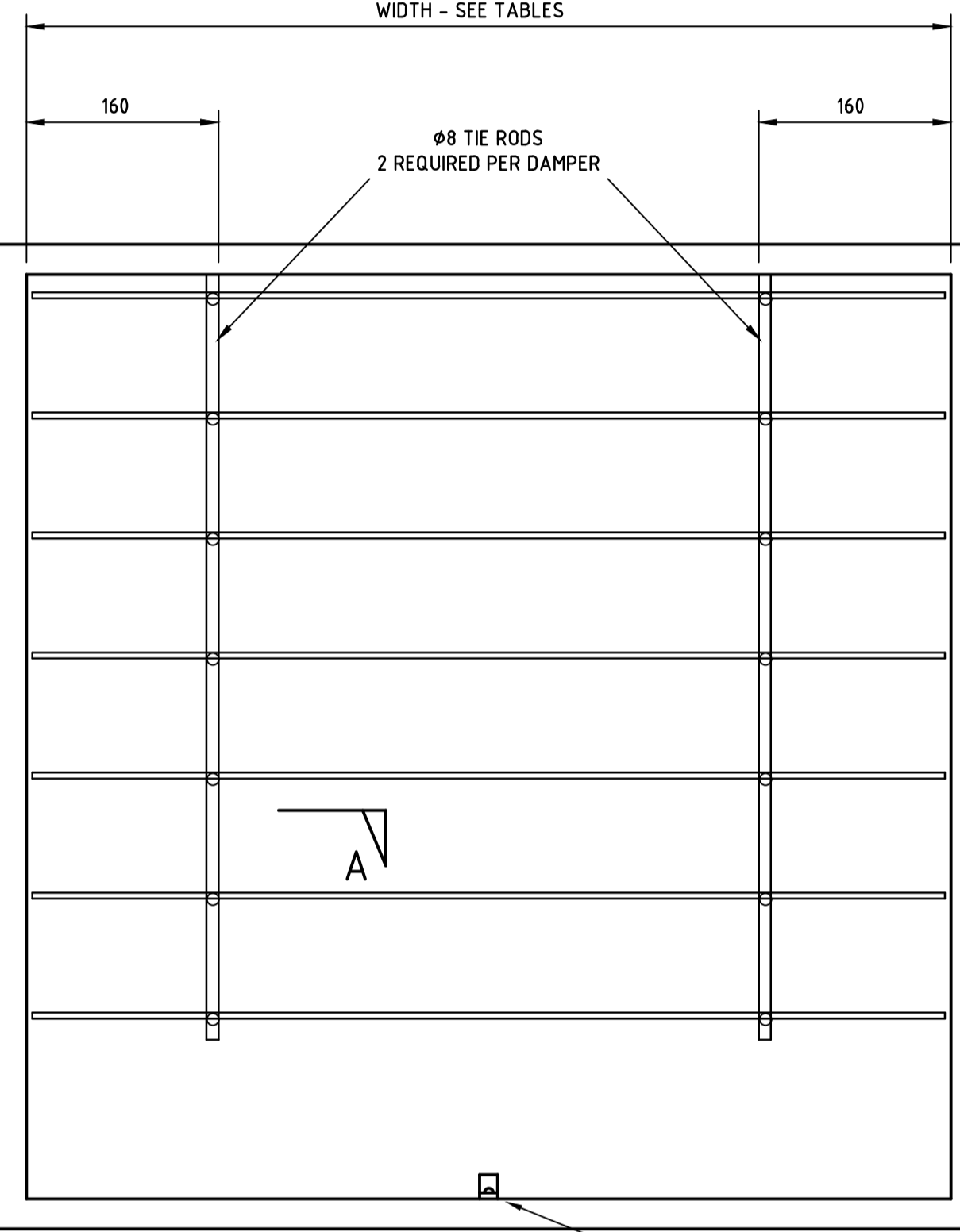
DAMPER TYPE	FREE AREA m ²	WIDTH	DEPTH
INLET DAMPER	1.3	1000	1300
EXHAUST DAMPER	SUPPLIED AS PART OF THE FAN		

ALL CONTROL POINT OR HVC CHAMBERS

DAMPER TYPE	FREE AREA m ²	WIDTH	DEPTH
INLET DAMPER	0.5	1000	500
EXHAUST DAMPER	SUPPLIED AS PART OF THE FAN		



CEILING MOUNTED EXHAUST DAMPER
NOTE: BLADE LOCKING SPRING CLIPS ARE NOT REQUIRED

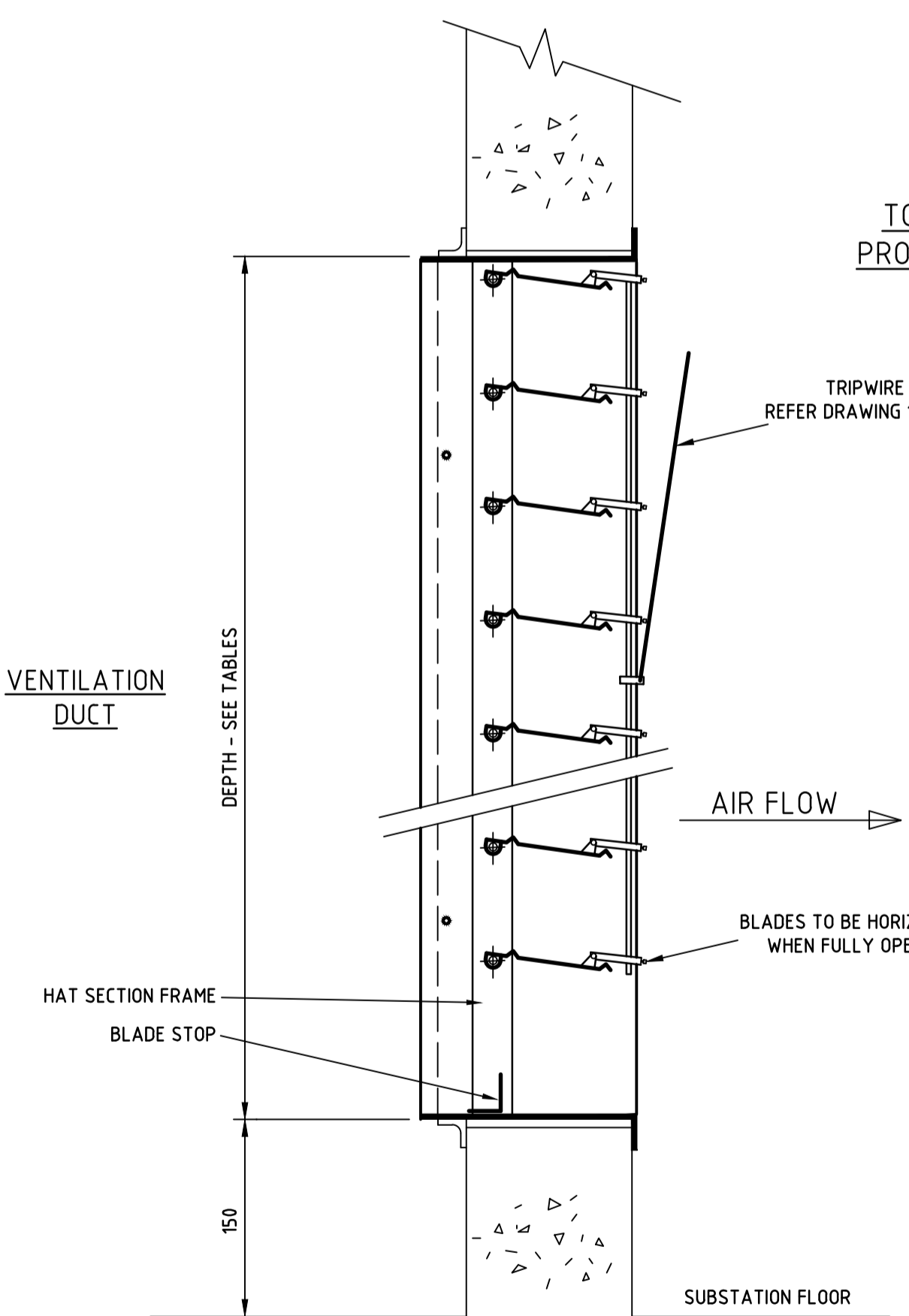


FRONT ELEVATION OF DAMPER
BLADES SHOWN OPEN

- NOTES**
- THIS DRAWING IS TO BE READ IN CONJUNCTION WITH NETWORK STANDARD 113.
 - THE DAMPER OPENING SHALL HAVE AN ASPECT RATIO OF DEPTH TO WIDTH OF NOT MORE THAN 4:1 WITH A MAXIMUM DEPTH OF 1400mm.
 - DAMPER BLADES ARE TO BE FITTED WITH BRONZE BEARINGS INCORPORATING A SELF ALIGNING CHARACTERISTIC OR ROUND SHAFT MOUNTED TO HAT SECTION FRAME.
 - ALL SHARP EDGES MUST BE REMOVED.
 - DAMPERS MUST NOT BE GROUTED INTO THE WALL OPENING, A 5mm CLEARANCE MUST BE LEFT ALL ROUND BETWEEN THE WALL OPENING AND THE FRAME.
 - THE WIDTH OF DAMPERS SHALL NOT EXCEED 1000mm.

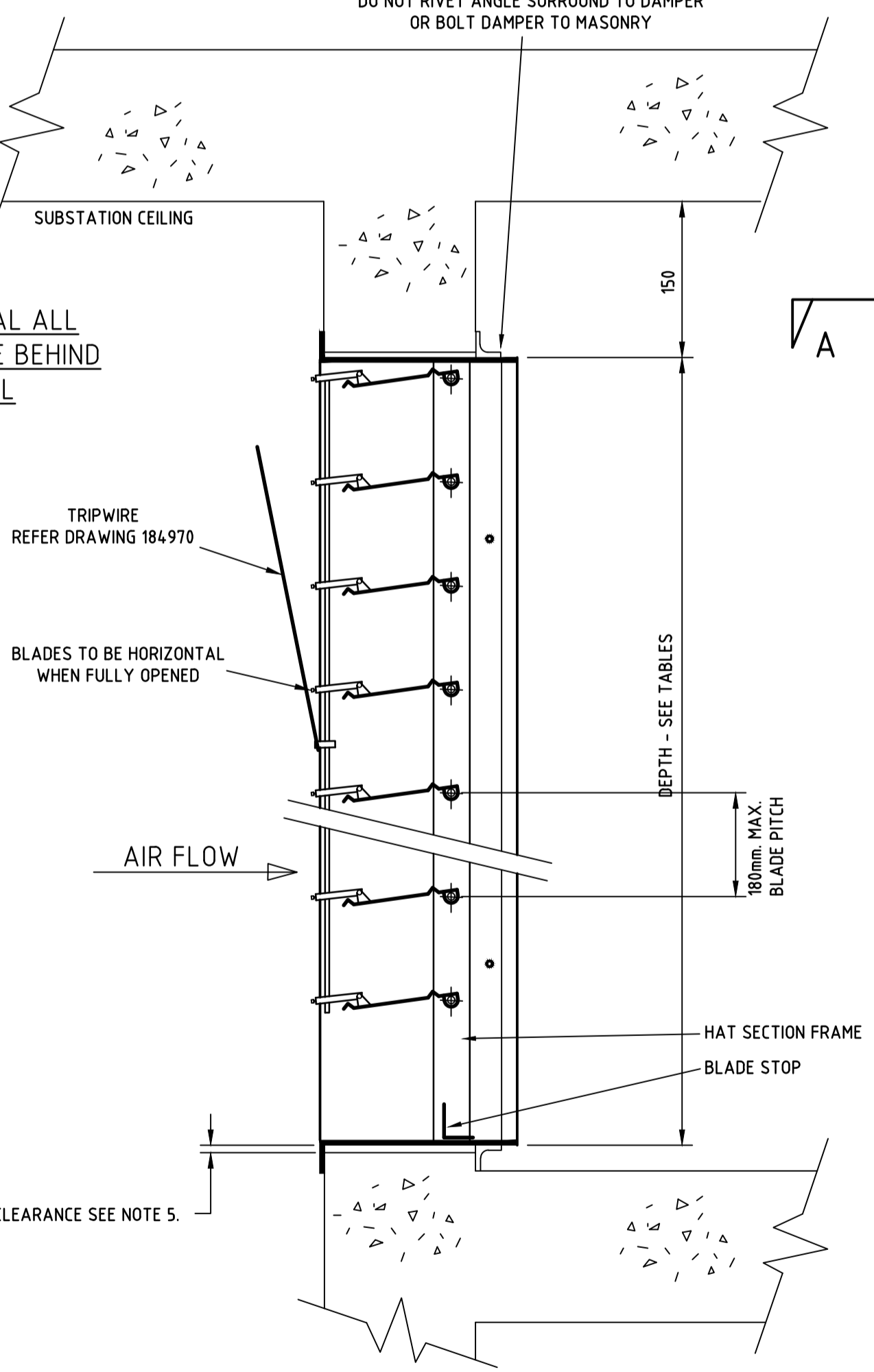
MATERIAL
DAMPER FRAME - MINIMUM 2.5mm THICK "ZINCANNEAL"
DAMPER BLADES - MINIMUM 1.6mm THICK "ZINCANNEAL"

REFERENCE DRAWINGS
BASEMENT SUBSTATION FIRE PROTECTION GENERAL ARRANGEMENT - 184/970
EXHAUST FAN AND DAMPER GENERAL ARRANGEMENT - 117632

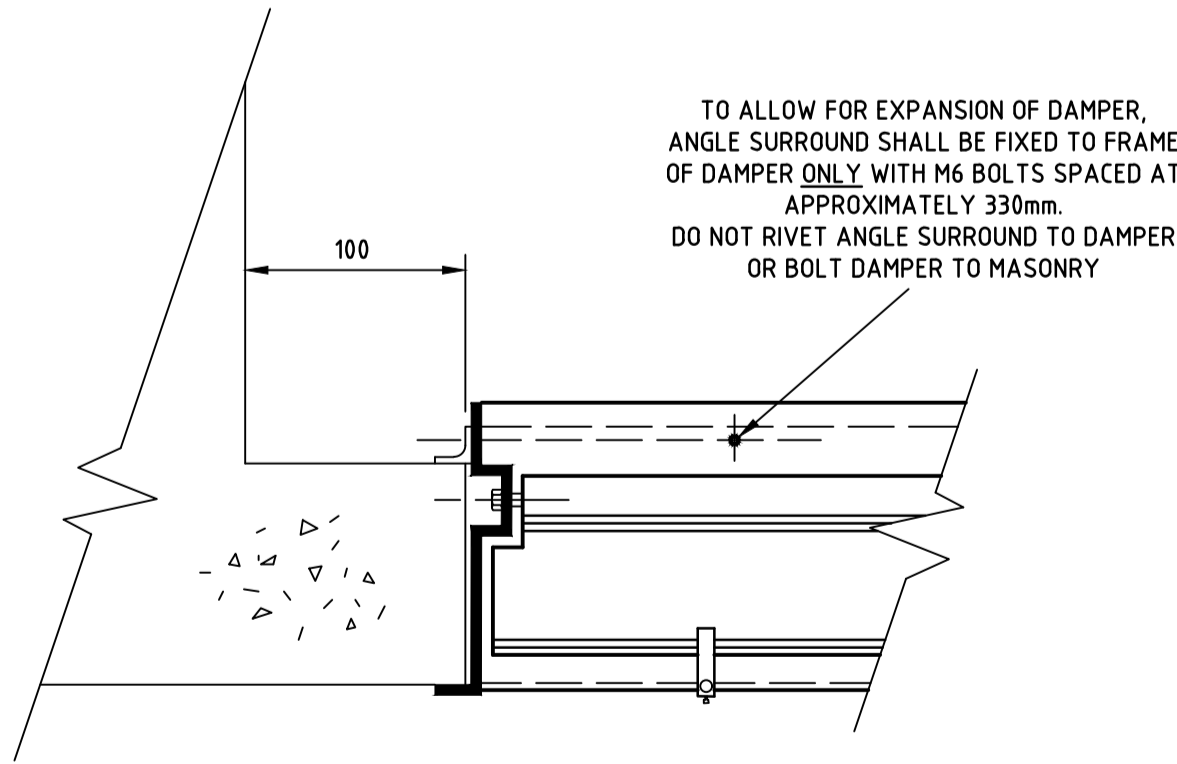


INLET DAMPER
NOTE: BLADE LOCKING SPRING CLIPS ARE NOT REQUIRED

TO AVOID INJURY TO PERSONAL ALL PROJECTIONS SHALL TERMINATE BEHIND PLANE OF CHAMBER WALL



WALL MOUNTED EXHAUST DAMPER
NOTE: BLADE LOCKING SPRING CLIPS ARE NOT REQUIRED



SECTION A-A

DO NOT MANUALLY AMEND

AMENDMENTS

8. NEW DRAWING MADE. DRAWING RE-TITLED TO NETWORK STANDARDS. BLADE LOCKING SPRING CLIPS DELETED FROM ALL DAMPERS.	22/09/2017 P. JARVIS CHECKED: D. GRECEV APPROVED:
9. WALL MOUNTED EXHAUST DAMPER TRIPWIRE CONNECTION CORRECTED. SUBURBAN BASEMENT TABLE UPDATED FOR TWO AND THREE 1500kVA TRANSFORMERS.	22/09/2017 P. JARVIS CHECKED: D. GRECEV APPROVED:
10. BORDER & TITLE BLOCK UPDATED.	09/09/2024 M. BENNETT CHECKED: L. MARTINUZZI APPROVED:

24-28 Campbell Street
SYDNEY NSW 2000

ISSUED FOR CONSTRUCTION

SCALE	AS SHOWN
DESIGNED	-
DRAWN	RVG
CHECKED	RM
APPROVED	JH
DATE	14/08/1989
TRIM REF	-
PROJECT NUMBER	24077

DISTRIBUTION SUBSTATIONS BASEMENT CHAMBERS MULTIBLADE FIRE DAMPERS			
DRAWING No	48849	SHEET	1
AMD	10	SIZE	A1