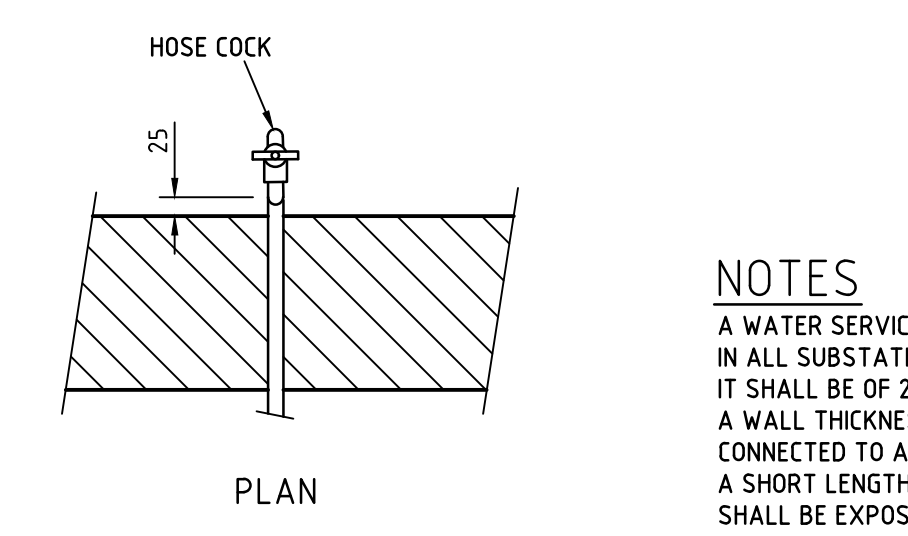
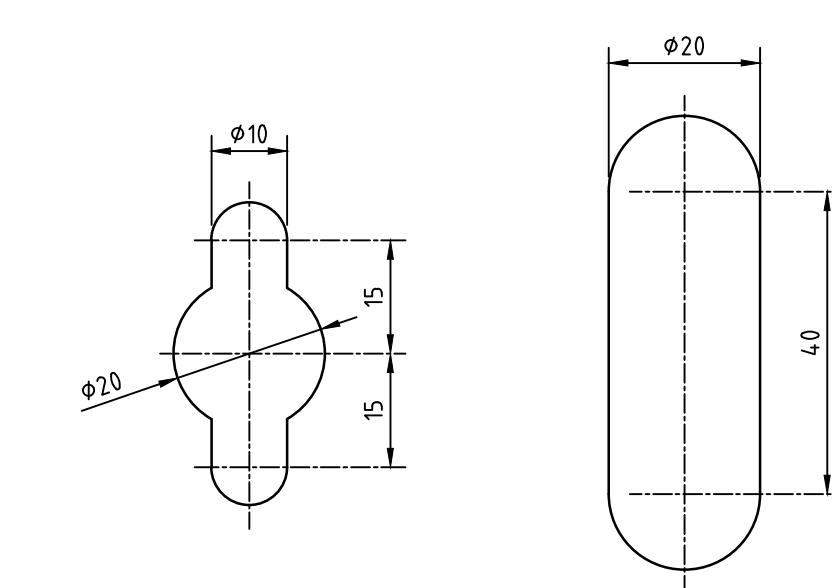
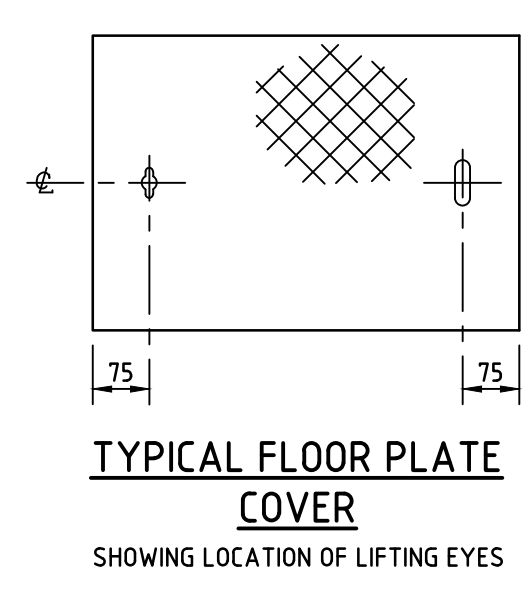
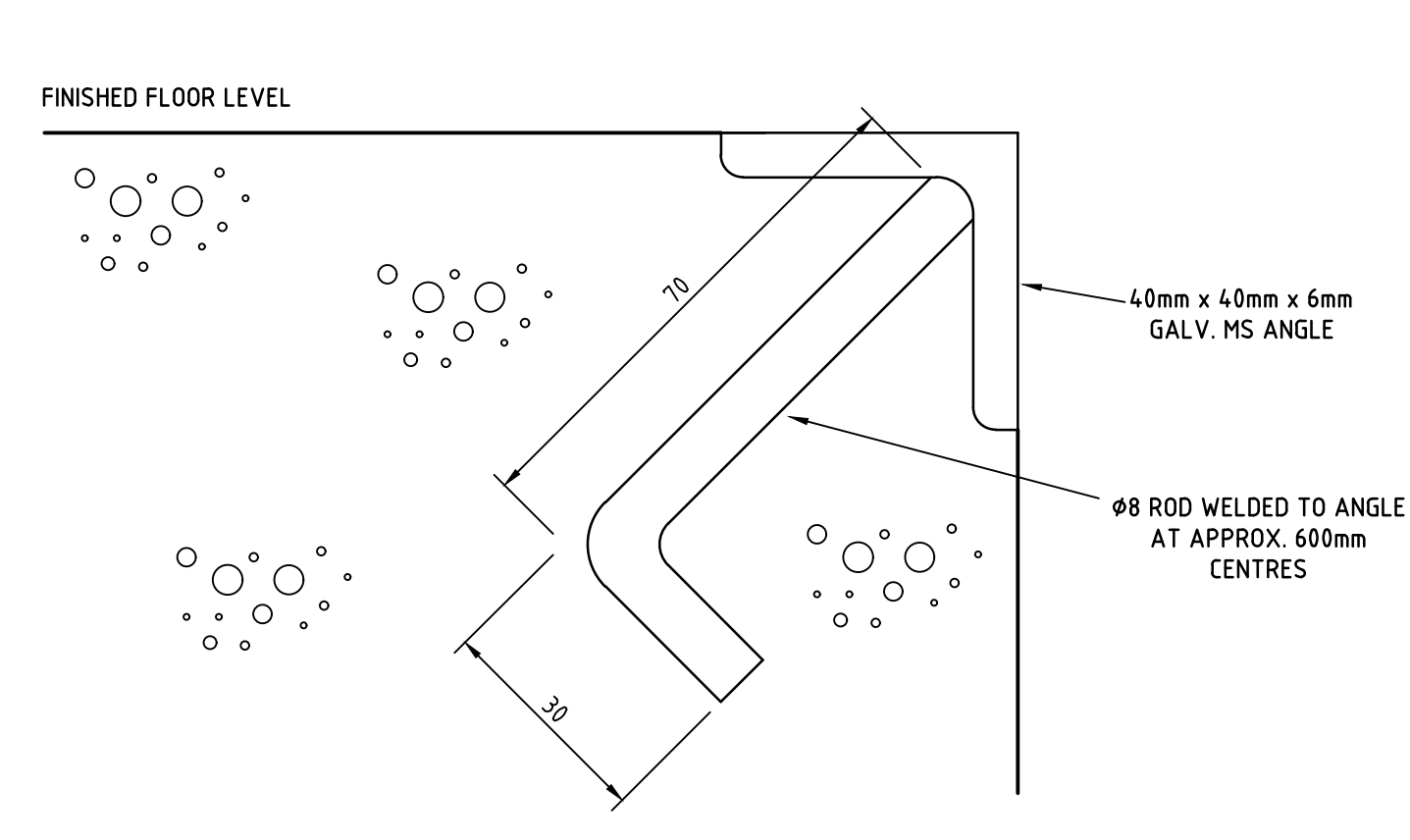
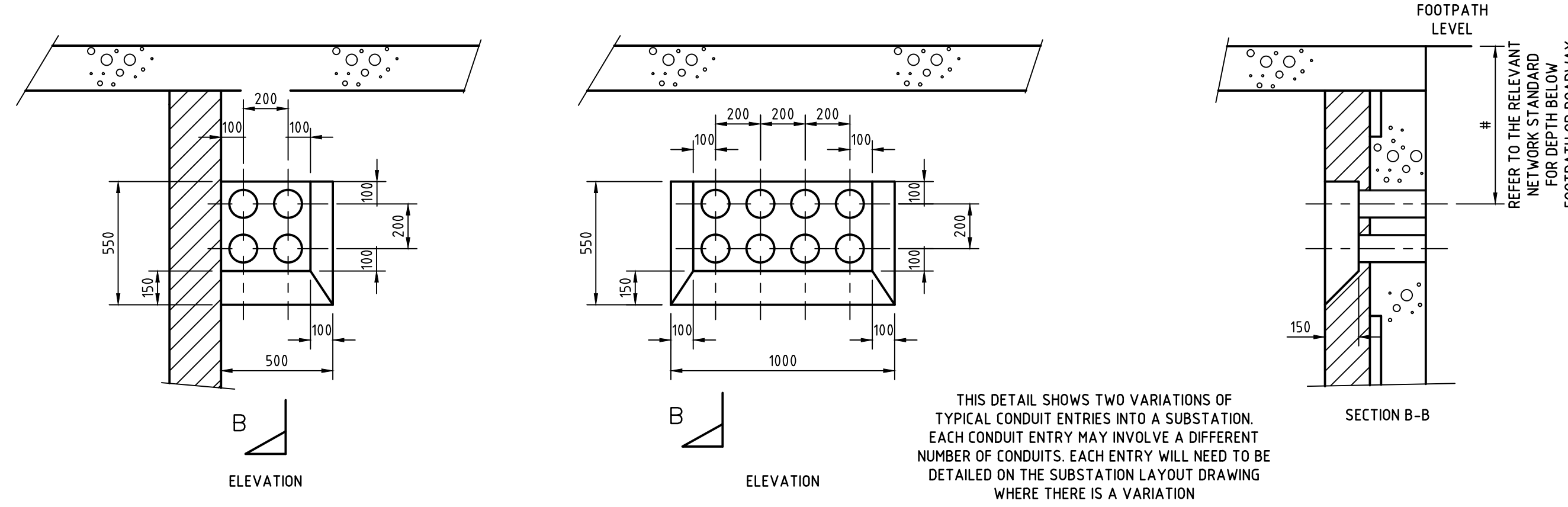


- NOTES**
1. MAXIMUM WIDTH OF CHASE (W) TO BE 500mm.
  2. ALL CHASE COVERS ARE TO BE 6mm FLOOR PLATE WITHOUT REINFORCING UNLESS THERE IS A POSSIBILITY OF TRANSFORMER MOVEMENT OVER FLOOR CHASES.
  3. FLOOR CHASES OVER WHICH TRANSFORMERS ARE MOVED ARE TO BE COVERED WITH 10mm FLOOR PLATE. EACH PIECE OF 10mm FLOOR PLATE IS TO BE DESIGNED TO PREVENT PERMANENT DISTORTION FROM IMPOSED TRANSFORMER WEIGHT BY THE ADDITION OF 12mm MS WELDED REINFORCING.
  4. EACH PIECE OF FLOOR PLATE COVER MUST NOT EXCEED 20 kg IN WEIGHT OR 600mm IN LENGTH.
  5. EACH PIECE OF FLOOR PLATE IS TO BE FITTED WITH A LIFTING EYE AT EACH END AND BE HOT DIP GALVANISED TO AS4680. EACH PIECE OF FLOOR PLATE IS TO BE STRAIGHTENED AFTER GALVANISING.

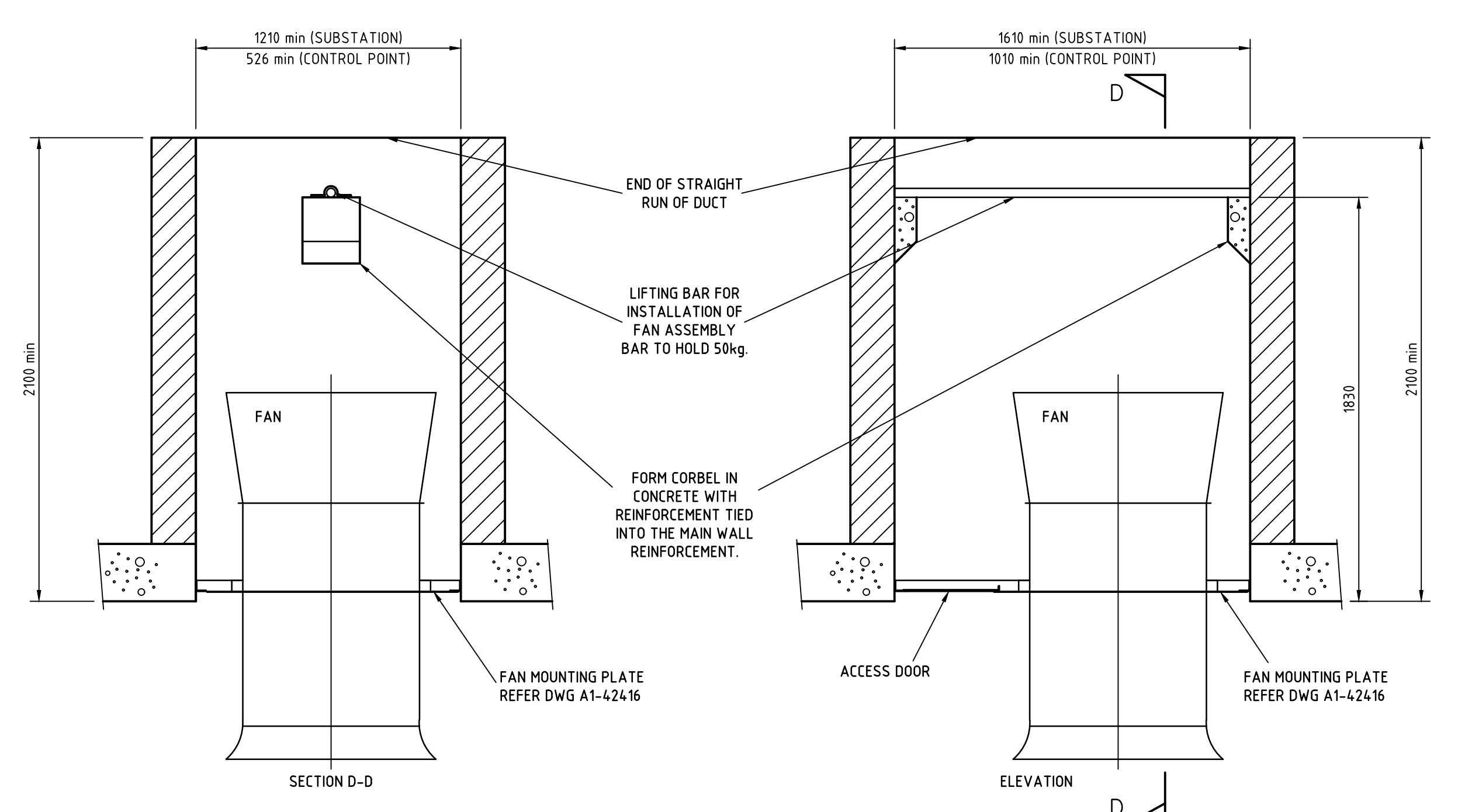
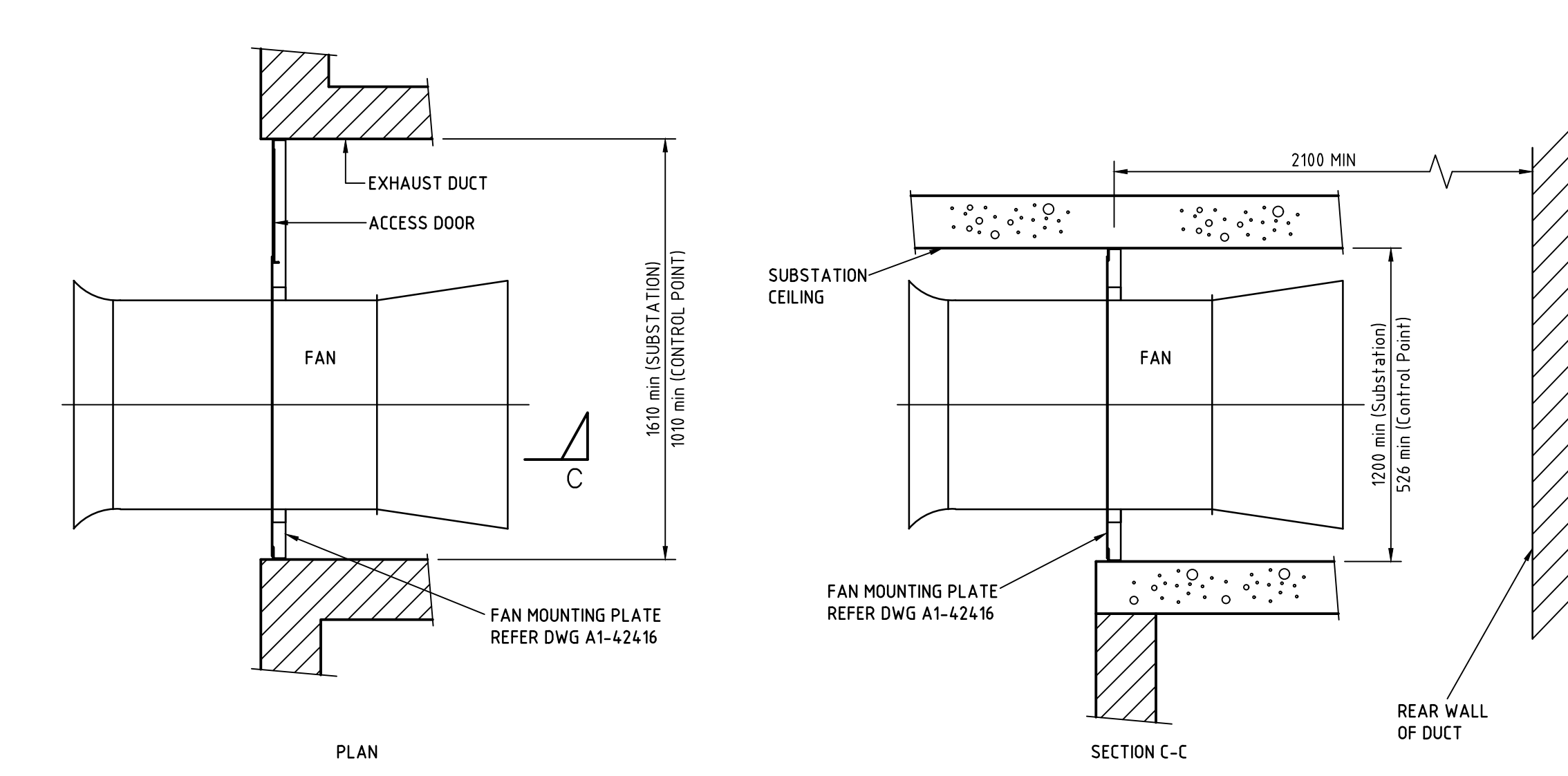
**DETAIL A**  
**FLOOR CHASE AND COVERS**



- NOTES**
- A WATER SERVICE SHALL BE INSTALLED IN ALL SUBSTATIONS AND CONTROL POINTS. IT SHALL BE OF 20mm OD COPPER PIPE WITH A WALL THICKNESS OF 1.4mm AND BE CONNECTED TO AN APPROVED SUPPLY. A SHORT LENGTH OF PIPING ONLY SHALL BE EXPOSED WITH A CONTROL VALVE IN AN ACCESSIBLE POSITION. THE WATER SERVICE IS TO BE LOCATED WHERE SHOWN ON THE SUBSTATION LAYOUT DRAWING



THIS DRAWING IS TO BE READ IN CONJUNCTION WITH THE RELEVANT NETWORK STANDARD AND THE SUBSTATION LAYOUT DRAWING



**CAD DRAWING**  
DO NOT MANUALLY AMEND

**AMENDMENTS**

13	NEW DRAWING MADE	
	LIFTING EYEBOLT, HZ LV BOARD SUPPORT & REMOVABLE PULLING RING DETAILS DELETED.	
	CONDUIT ENTRY ANGLE AND SPLIT LUG PLATE FIGURES AND ANGLE NOSING ALTERED TO WELDED ROD.	
	DETAIL A NOTES UPDATED.	
	LIFTING EYE OPTIONS SHOWN IN CONDUIT ENTRY IN SECTION B-B ALTERED TO REMOVE SOCKETS.	
	14. 10mm FLOOR PLATE CONSTRUCTION NOTES CLARIFIED.	
	15. BORDER & TITLEBLOCK UPDATED.	

24/09/2019	P. JARVIS	24/09/2019	P. JARVIS
	CHECKED: D. GREY		CHECKED: D. GREY
	APPROVED: P. TURRIN		APPROVED: P. TURRIN

09/09/2024	M. BENNETT	09/09/2024	M. BENNETT
	CHECKED: L. MARTINUZZI		CHECKED: L. MARTINUZZI
	APPROVED: P. TURRIN		APPROVED: P. TURRIN

**Ausgrid**  
24-28 Campbell Street  
SYDNEY NSW 2000

ISSUED FOR CONSTRUCTION

SCALE	AS SHOWN
DESIGNED	-
DRAWN	AM&A
CHECKED	FWJ
APPROVED	DG
DATE	10/1974
TRIM REF	-
PROJECT NUMBER	-

STANDARD SUBSTATION DESIGN  
CONSTRUCTION DETAILS  
MISCELLANEOUS

DRAWING No **48008** SHEET 1 AMD 15 SIZE B1