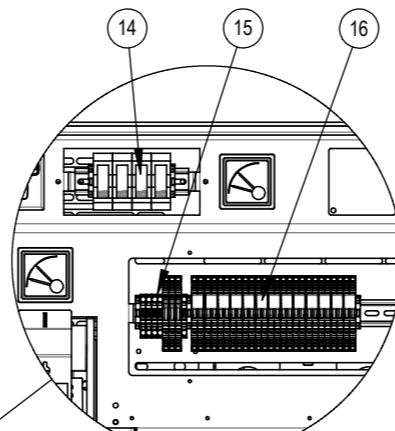
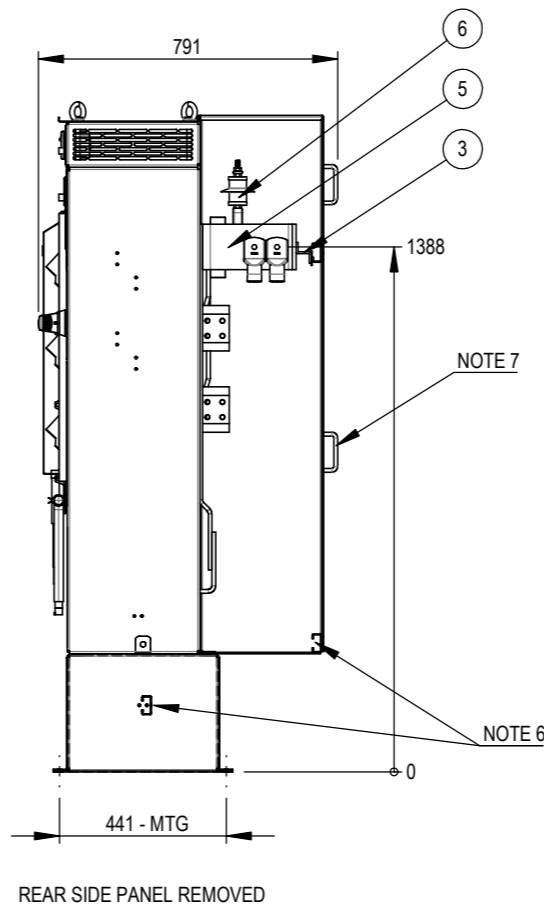
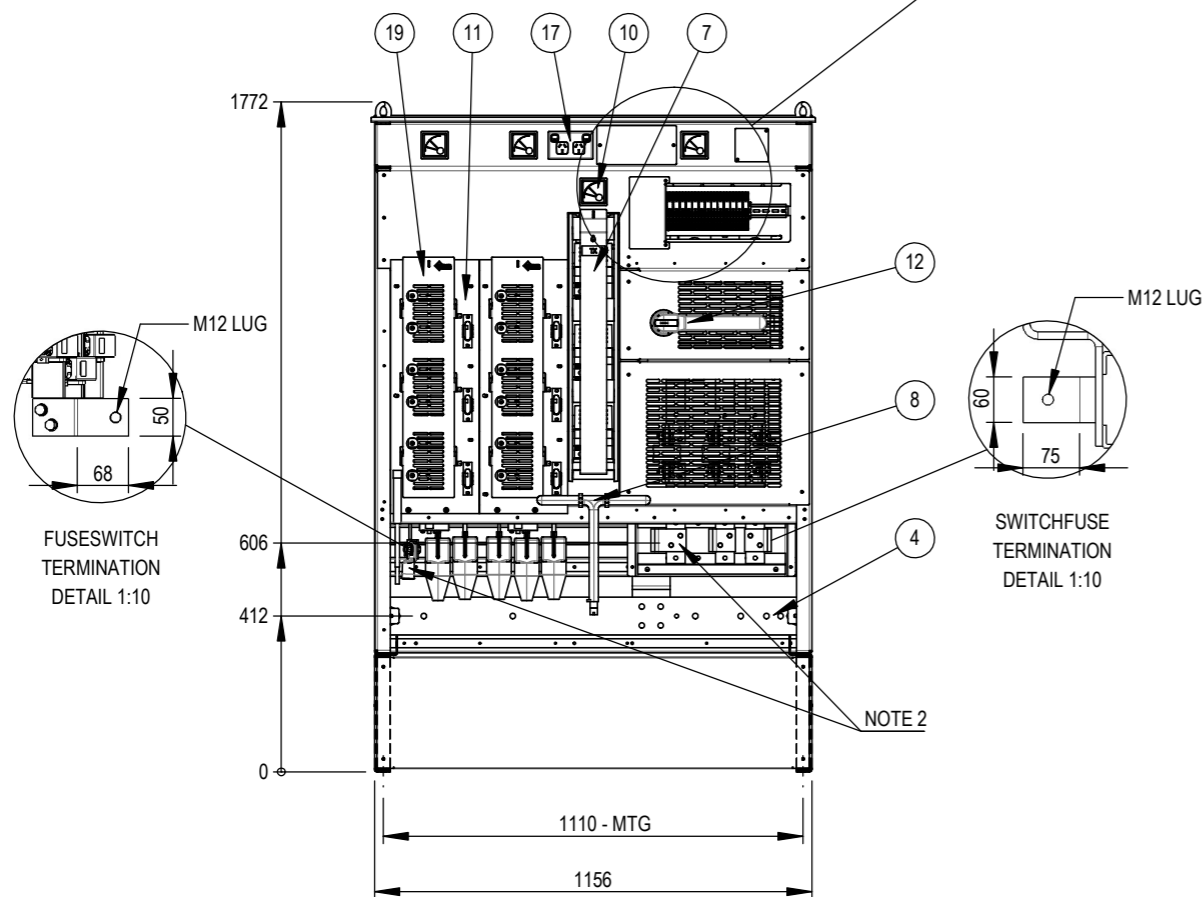


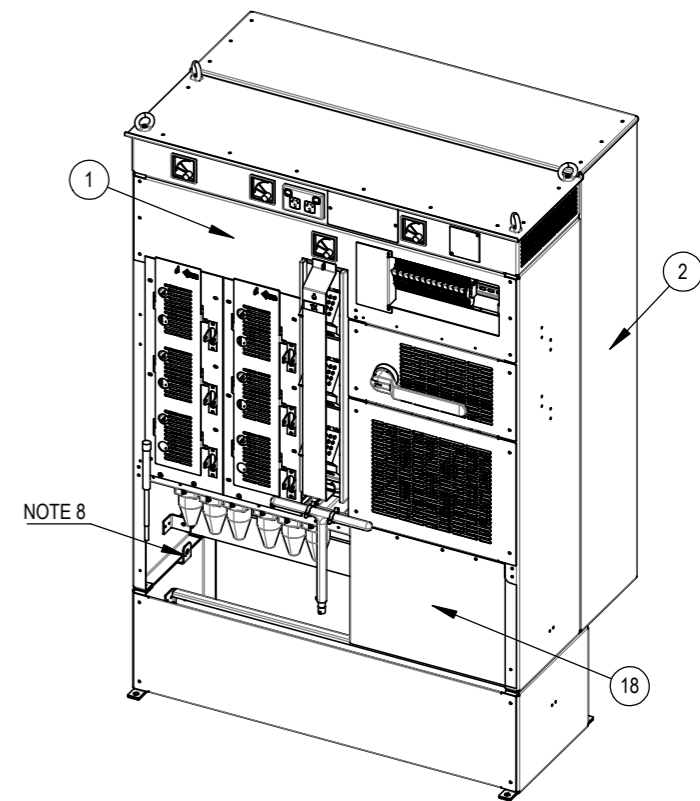
REAR TOP PANEL REMOVED



COVERS REMOVED
SCALE 1:10



REAR SIDE PANEL REMOVED



NO.	QTY.	PART NO.	DESCRIPTION
1	1	00015-SA13	POWDERCOATED SHEETMETAL
2	1	00015-SA15	POWDERCOATED SHEETMETAL
3	3	LVZIT	BUSBAR, TXF CONNECTION SUPPORT
4	1	00015-C014	NEUTRAL BAR 100x10 CU (ON INSULATORS)
5	1	00015-CA18	120x10 CU - TXF CONNECTION TAGS
6	3	ACC-LVSD415V	SURGE ARRESTER - 415V 5kA
7	1	25003P	2500A TXF DISCONNECTOR + LOCKING COVER
8	1	25003_001	TXF DISCONNECTOR OPERATING HANDLE
9	1	EFE-77127.2973	CT, 2000/5, PSA1254, CL1, 10VA, MID PHASE
10	4	MA-5	MAXIMUM DEMAND INDICATOR, MID PHASE
11	2	VSJ0630BE-001	400A F/S BOTTOM CONNECT, CT FITTED, HANDLE INCLUDED
12	1	ABB-OT1250E03P	ABB 1250A LBS, ROTARY HANDLE
13	3	EFE-77119.2363-W	CT, 800/5, PSA613,
14	3	FH-32	VOLTAGE TEST POINT FUSES 6A
15	5	WAG-2006-1201	VOLTAGE TEST POINT TERMINALS (INCLUDES N)
16	13	WAG-2007-8821	CT TEST/SHORTING TERMINALS (SET OF 2)
17	1	2P-GPO-KIT	10A FUSE + DOUBLE GPO
18	1	00015-P004	SWITCH FUSE TERMINAL COVER
19	2	P01806300201	FUSE SWITCH TOUCH COVER

NOTES:

1. THE LV ASSEMBLY IS DEAD FRONT WITH FLEXIBLE INSULATING BOOTS FITTED TO DISTRIBUTOR TERMINALS. ASSEMBLY IS IP21 FROM THE TOP ONLY. THE COVERS DO NOT PROTECT PURPOSEFUL TOUCH FROM UNDERNEATH.
2. TERMINAL COVER REMOVED TO SHOW CUSTOMER CONNECTION HEIGHT.
3. INCOMING CONNECTION SUITABLE FOR MAXIMUM 4x 500mm² M12 LUGS PER PHASE + N.
4. SWITCH FUSE SUITABLE FOR MAXIMUM 2x 300mm² M12 LUGS PER PHASE
5. FUSE SWITCH SUITABLE FOR MAXIMUM 1x 300mm² M12 LUGS PER PHASE
6. REMOVABLE CABLE CLAMP RAILS, OPEN BOTTOM CABLE ENTRY
7. REMOVEABLE PANELS FOR TXF CONNECTION ACCESS
8. EARTHING TERMINAL STUDS PROVIDED ON BOTH LHS AND RHS OF ENCLOSURE

AUSGRID : 265239-1

NOT FOR CONSTRUCTION

PROJECT: AUSGRID CHAMBER - STOCKCODE: 181793					WEBER SOUTH PACIFIC PTY LTD PO BOX 4264 Eight Mile Plains Queensland Australia TEL. (07) 3841 6899 FAX. (07) 3841 6877 EMAIL:- sales@webersouthpacific.com.au	Scale:	Standard:	Client:	Size:
ASSEMBLY ID: VF223169-AUS06						1:20	AS/NZS 61439.2	AUSGRID	A3
DESCRIPTION: 2500A TXF DISCONNECTOR + 800A S/F + 2X400A F/S					DO NOT SCALE Tolerance: ± 5 UNO ALL DIMENSIONS IN MM UNLESS NOTED OTHERWISE	Drawing:	Part Number:	Type:	
RATINGS: 1600A, 415 V, 30kA 3s, FORM 1, IP CONDITIONAL (NOTE 1)						GENERAL ARRANGEMENT	VF223169-AUS06	3D	
INSTALLATION TYPE: LV CHAMBER SUBSTATION						SHEET 1 OF 1	Drawing Number:	Revision:	
WEIGHT: 400 kg							00015-GA17	B	