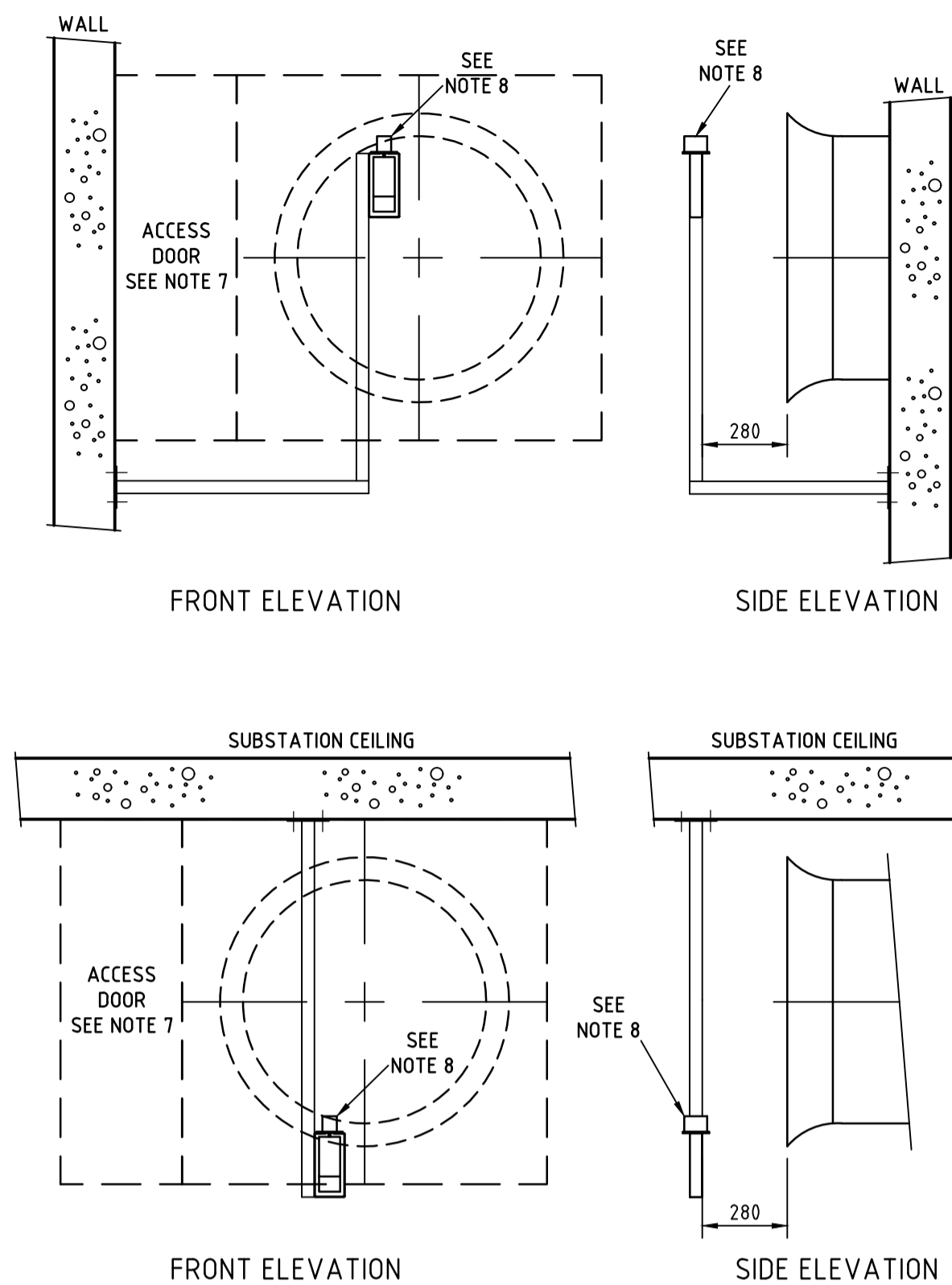
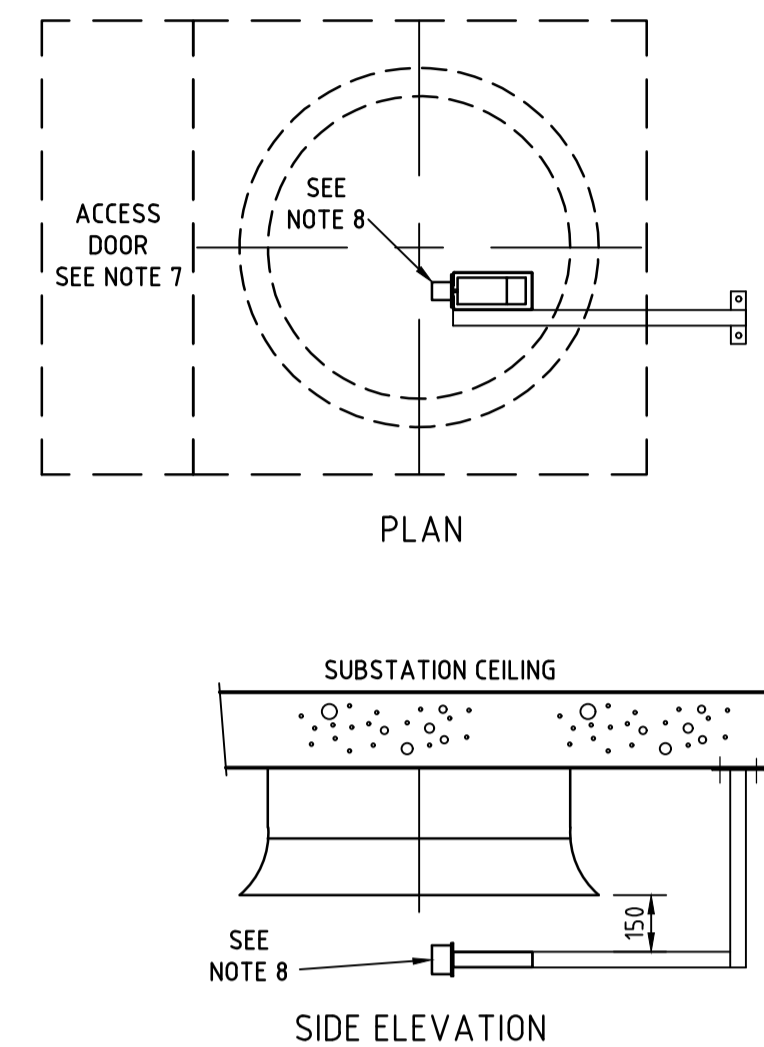


**JUNCTION BOX MOUNTING
(ITEM 2)**



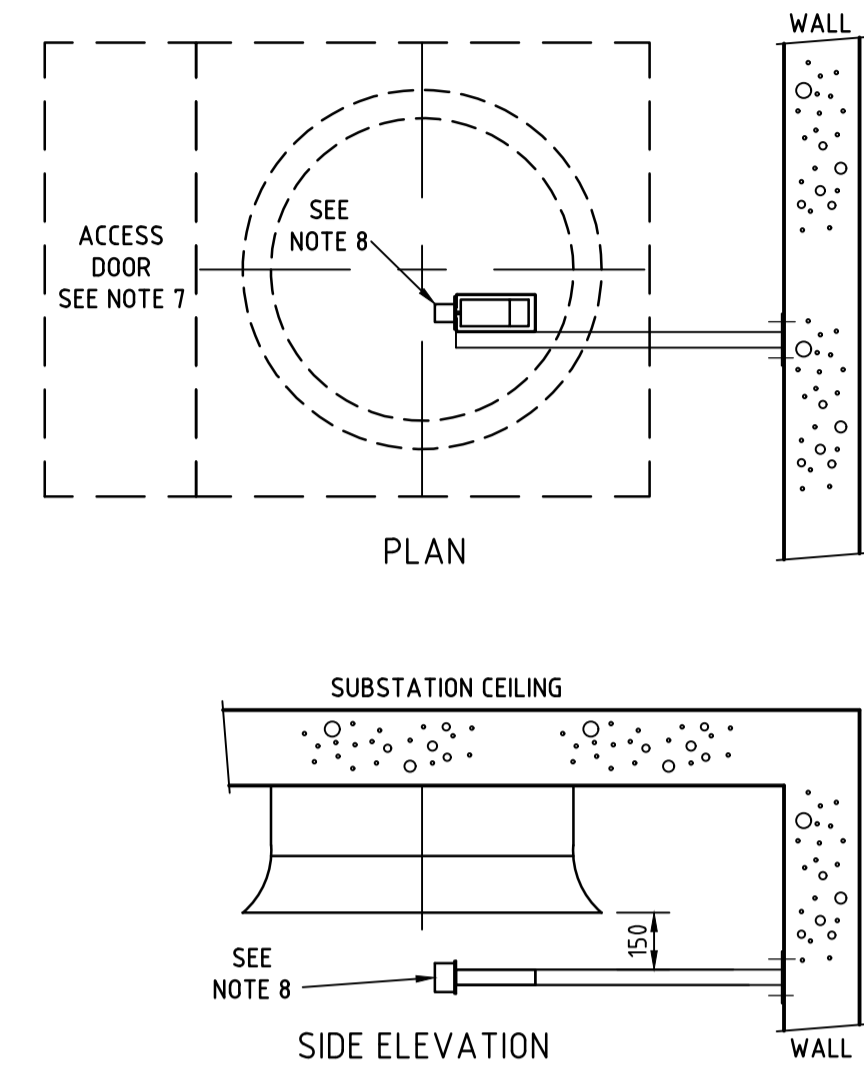
**HORIZONTAL FAN
SWITCH BRACKET MOUNTING OPTIONS**

(SCALE 1:20)



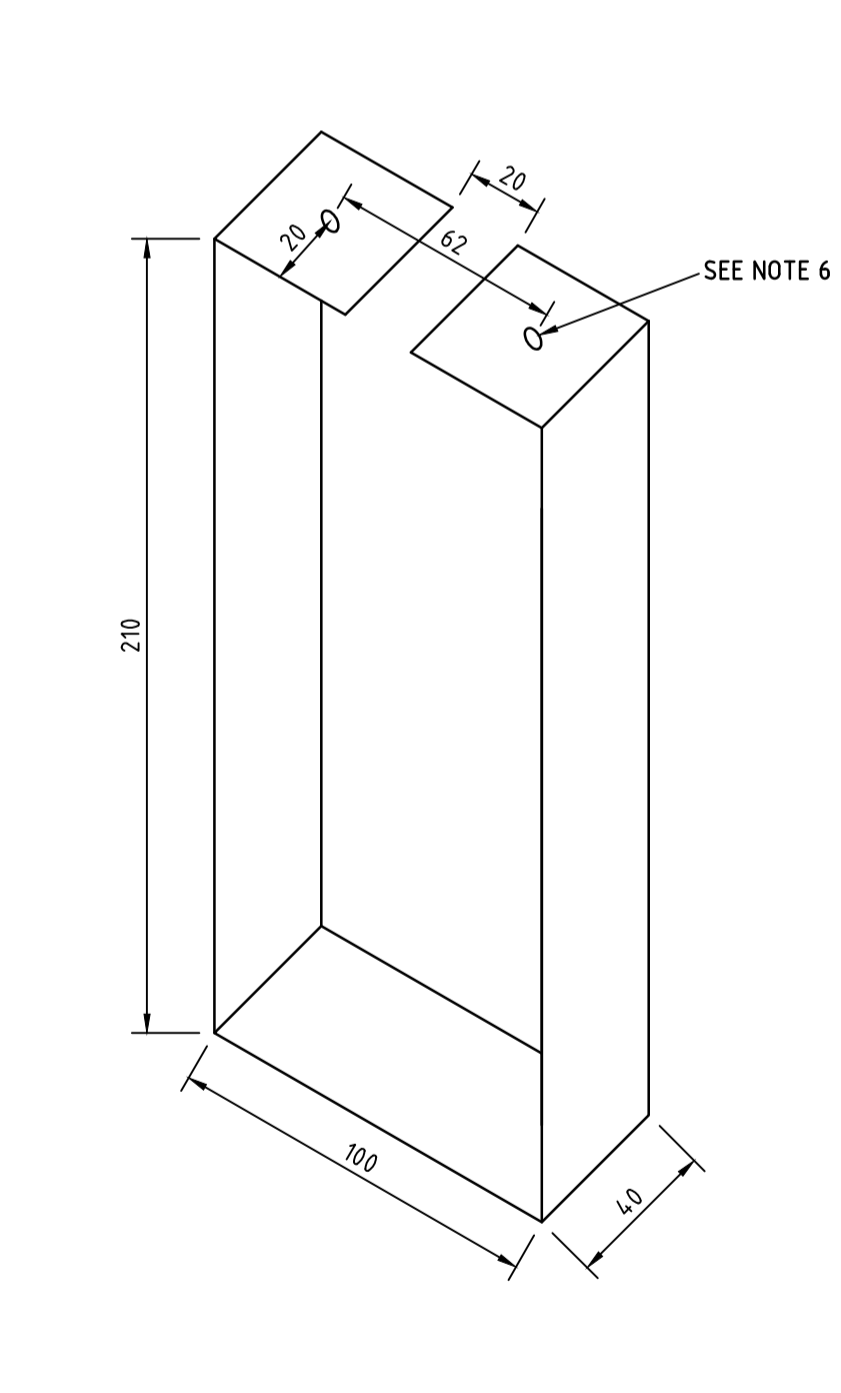
**VERTICAL FAN
SWITCH BRACKET CEILING MOUNTING
OPTIONS**

(SCALE 1:20)

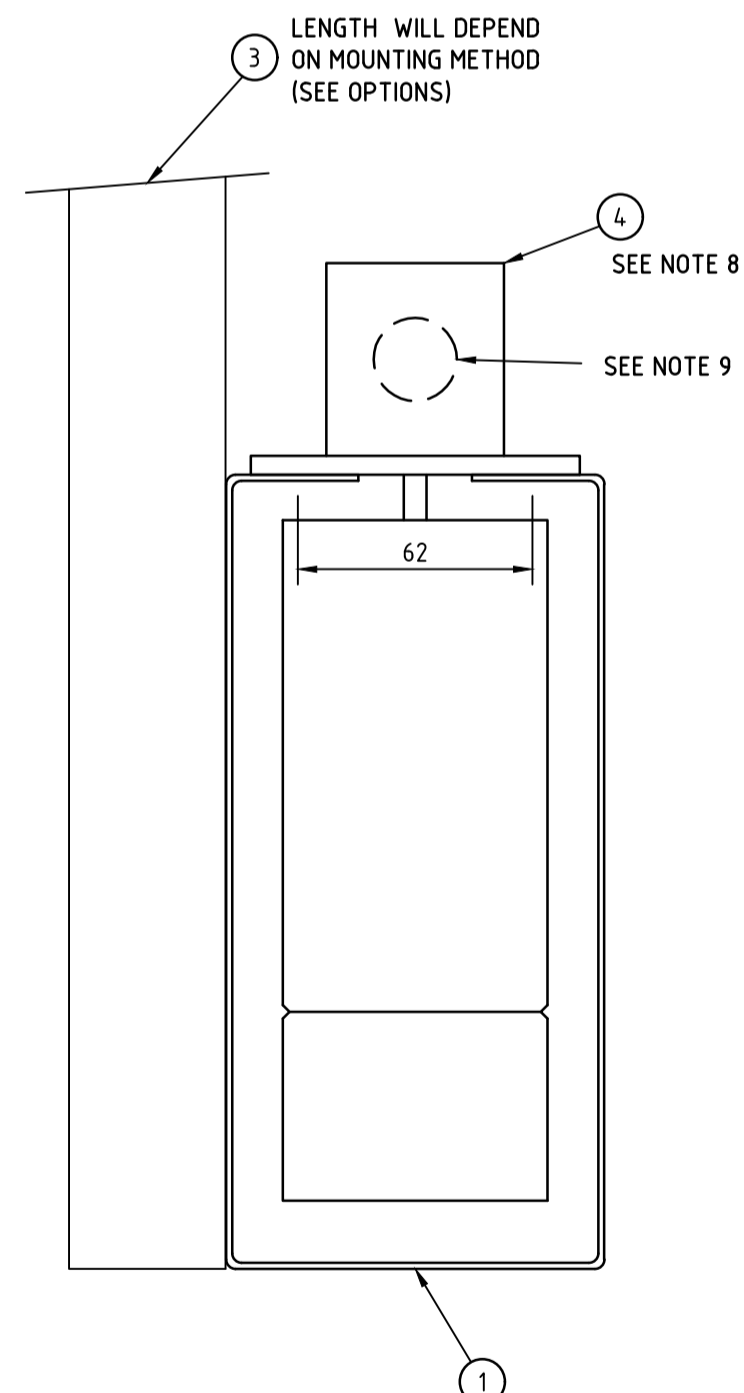


**VERTICAL FAN
SWITCH BRACKET WALL MOUNTING
OPTIONS**

(SCALE 1:20)



**AIR VANE SWITCH MOUNTING BRACKET
(ITEM 1)**



**AIR VANE FLOW SWITCH (ITEM 4)
MOUNTING**

NOTES

MANUFACTURE:

- A. AIR VANE SWITCH MOUNTING BRACKET (ITEM 1) TO BE MANUFACTURED FROM 1.6mm MILD STEEL AND PAINTED GREY.

INSTALLATION:

1. DRAWING TO BE READ IN CONJUNCTION WITH NS114 AND DRAWING 228912.
2. FIRE DETECTION THERMOSTAT (ITEM 5) TO BE SCREW MOUNTED APPROPRIATELY INSIDE JUNCTION BOX (ITEM 2)
3. DRILL THE NECESSARY HOLES (MINIMUM 2) TO MOUNT AIR VANE SWITCH MOUNTING BRACKET (ITEM 1) TO UNISTRUT (ITEM 3).
4. UNISTRUT TO BE INSTALLED SO THAT AIR VANE SWITCH RECEIVES SUFFICIENT AIR FLOW TO OPERATE.
5. JUNCTION BOX (ITEM 2) MAY BE MOUNTED ON UNISTRUT (ITEM 3) OR AIR VANE SWITCH MOUNTING BRACKET (ITEM 1).
6. 2 OFF Ø5 HOLES FOR MOUNTING AIR VANE FLOW SWITCH (ITEM 4)
7. ENSURE VENTILATION DUCT ACCESS DOOR IS NOT IMPEDED BY SWITCH MOUNTING BRACKET AND ANY ASSOCIATED CONDUITS AND CABLING.
8. ENSURE THERE IS SUFFICIENT ACCESS TO AIR VANE FLOW SWITCH FOR TERMINAL COVER REMOVAL AND SWITCH ADJUSTMENT. SWITCH TO BE SET TO LOWEST AIRFLOW SETTING BY TURNING ADJUSTMENT SCREW FULLY ANTI-CLOCKWISE.
9. WIRING TO BE INSTALLED USING FLEXIBLE CABLING ONLY, GLANDS AND CONDUIT SECURED WITH CABLE TIES AS REQUIRED FOR EASY REMOVAL AND ADJUSTMENT IF REQUIRED. CONDUIT MAY BE INSTALLED INSIDE UNISTRUT BRACKET. DRILL THE APPROPRIATE HOLE IN JUNCTION BOX FOR CONDUIT GLAND INSTALLATION. AIR VANE SWITCH IS SUPPLIED WITH PREDRILLED HOLE FOR CONDUIT ENTRY.

REFERENCE DRAWINGS	DWG. NO.
MARK IV SUBSTATION FAN CONTROL SCHEMATIC	228912
STANDARD SUBSTATION DESIGN - CONSTRUCTION DETAILS MISCELLANEOUS	48008

ITEM	DESCRIPTION	STOCK CODE	QTY.
1	PAINTED MILD STEEL BRACKET	MANUFACTURE	1
2	CAST ALUMINIUM JUNCTION BOX - HAMMOND 1590E (OR EQUIVALENT)	PURCHASE	1
3	UNISTRUT P1000 OR EQUIVALENT	123455	AS REQ
4	AIR VANE FLOW SWITCH - DWYER MODEL 530	PURCHASE	1
5	FIRE DETECTION THERMOSTAT - ROBERTSHAW ST1201133	PURCHASE	1

CAD DRAWING
DO NOT MANUALLY AMEND

AMENDMENTS

NO.	DATE	DESCRIPTION
1	29/09/2021	NOTES 8 & 9 AMENDED. LENGTH OF UNISTRUT CHANGED IN HORIZONTAL SWITCH BRACKET OPTION.
2	23/09/2024	NEW UPDATED BORDER ADDED.

APPD by: P.TURRIN

DRAWN: S.MONRO
CHKD: M.BENNETT

APPD by: M.BENNETT



24 Campbell Street
SYDNEY NSW 2000
P: 9272 3805

ISSUED FOR
CONSTRUCTION

SCALE	AS SHOWN
DESIGNED	-
DRAWN	C.MABBUTT
CHECKED	P.JARVIS
APPROVED	P.TURRIN
DATE	28/02/2014
TRIM REF	-
PROJECT NUMBER	PM02-02013-0-21011

CITY DISTRIBUTION SUBSTATIONS VENTILATION AIR VANE SWITCH MARK IV MANUFACTURE AND INSTALLATION DETAILS			
DRAWING No	228913	SHEET	1
AMD	2	SIZE	A1