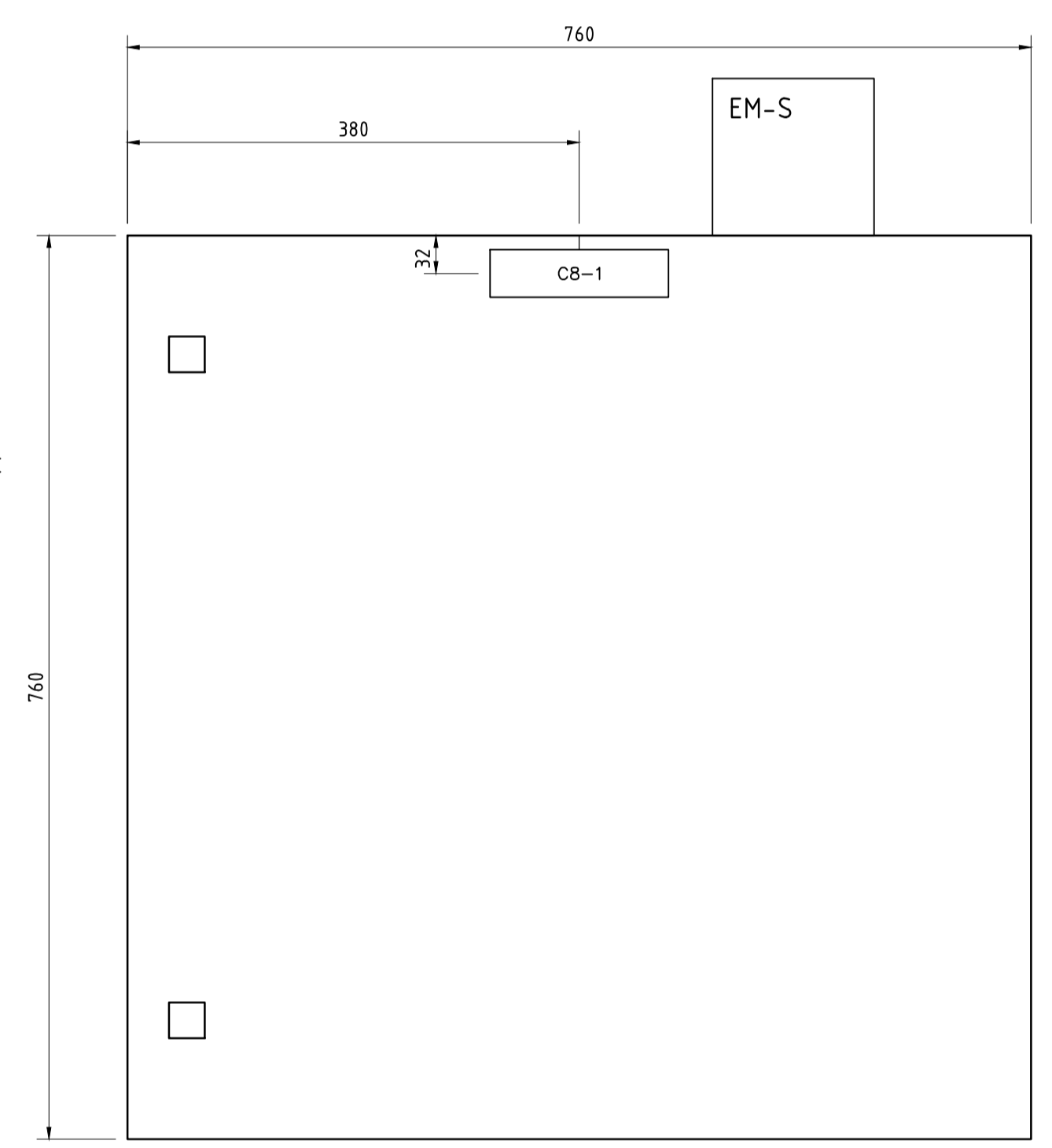
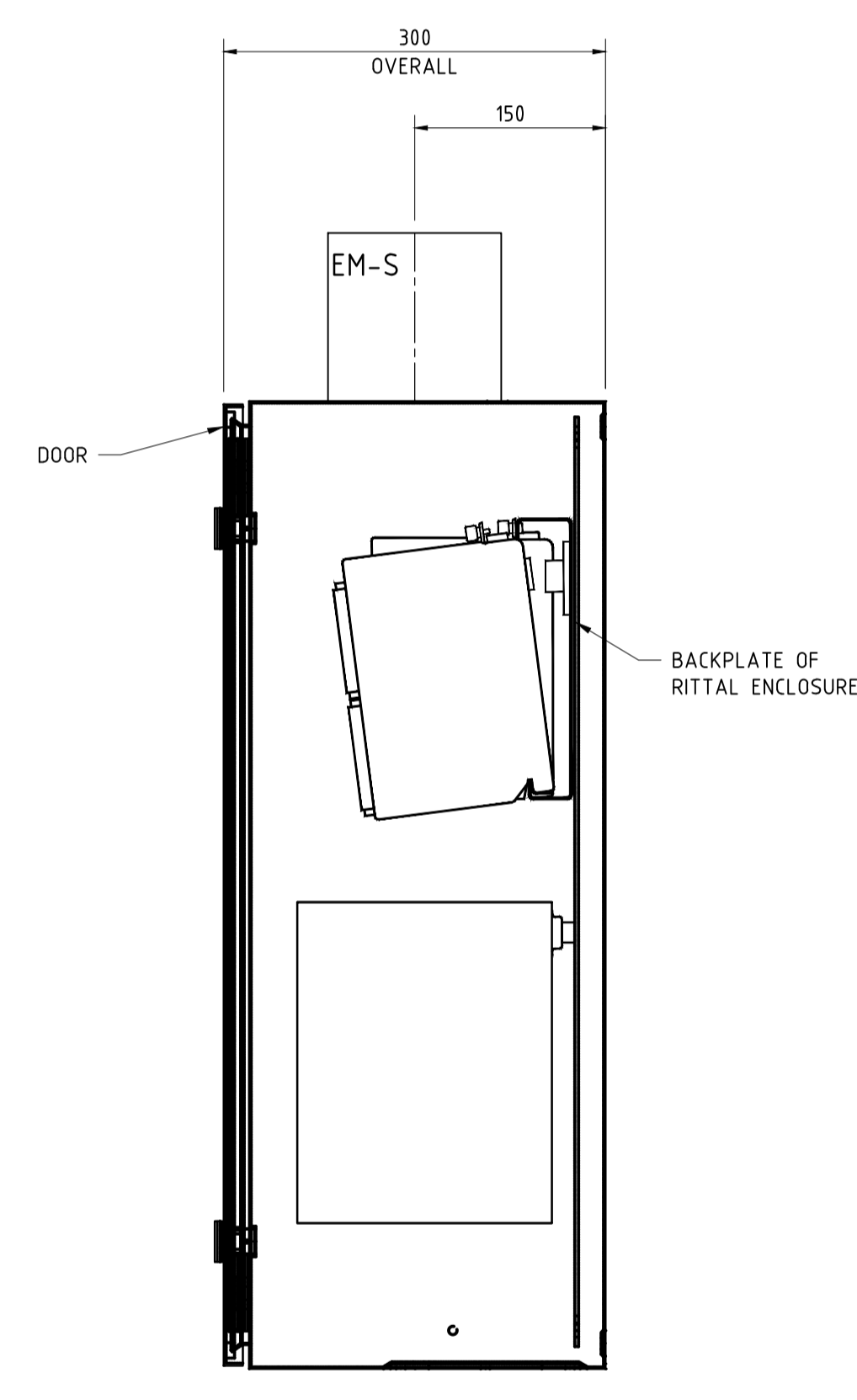
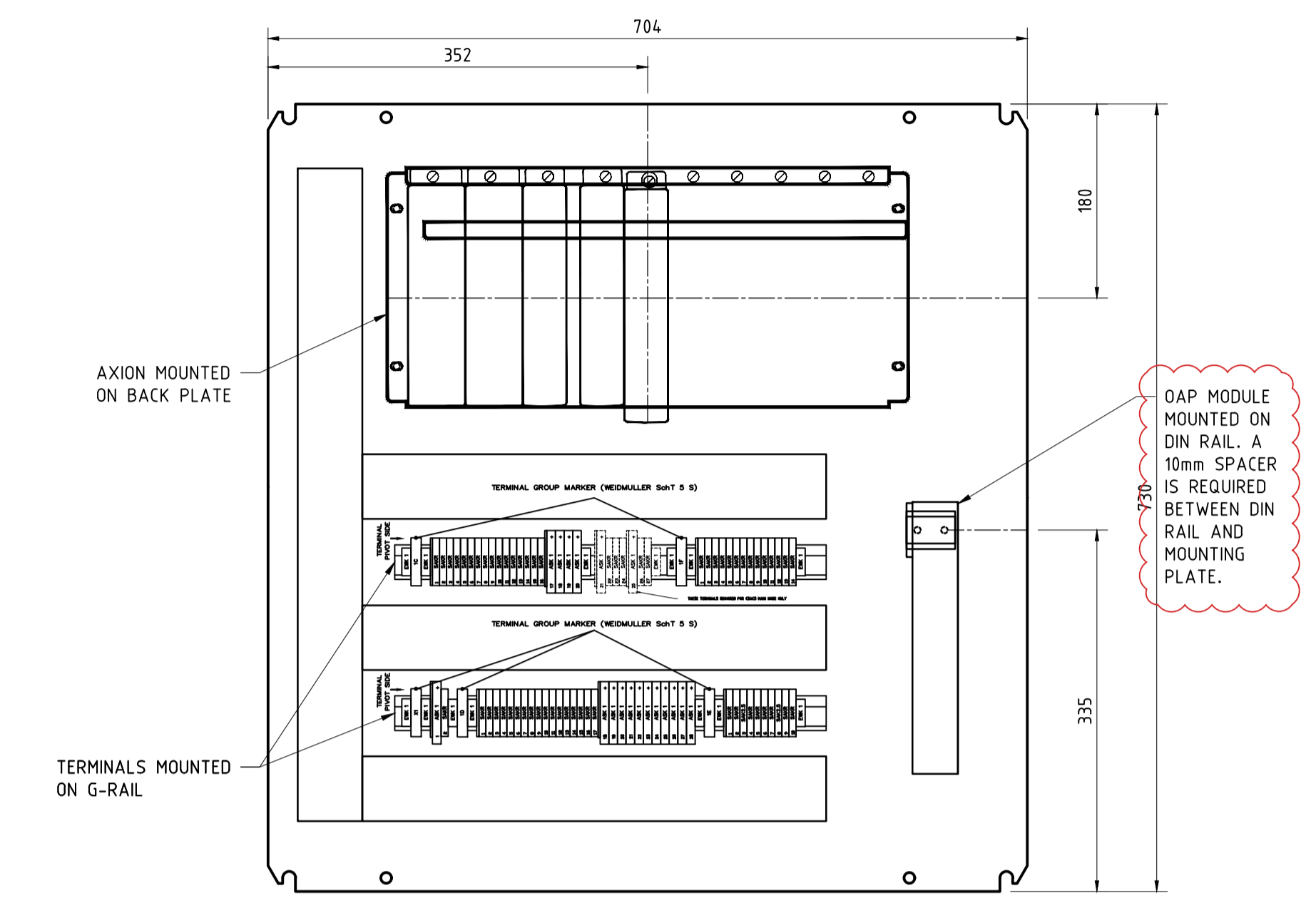
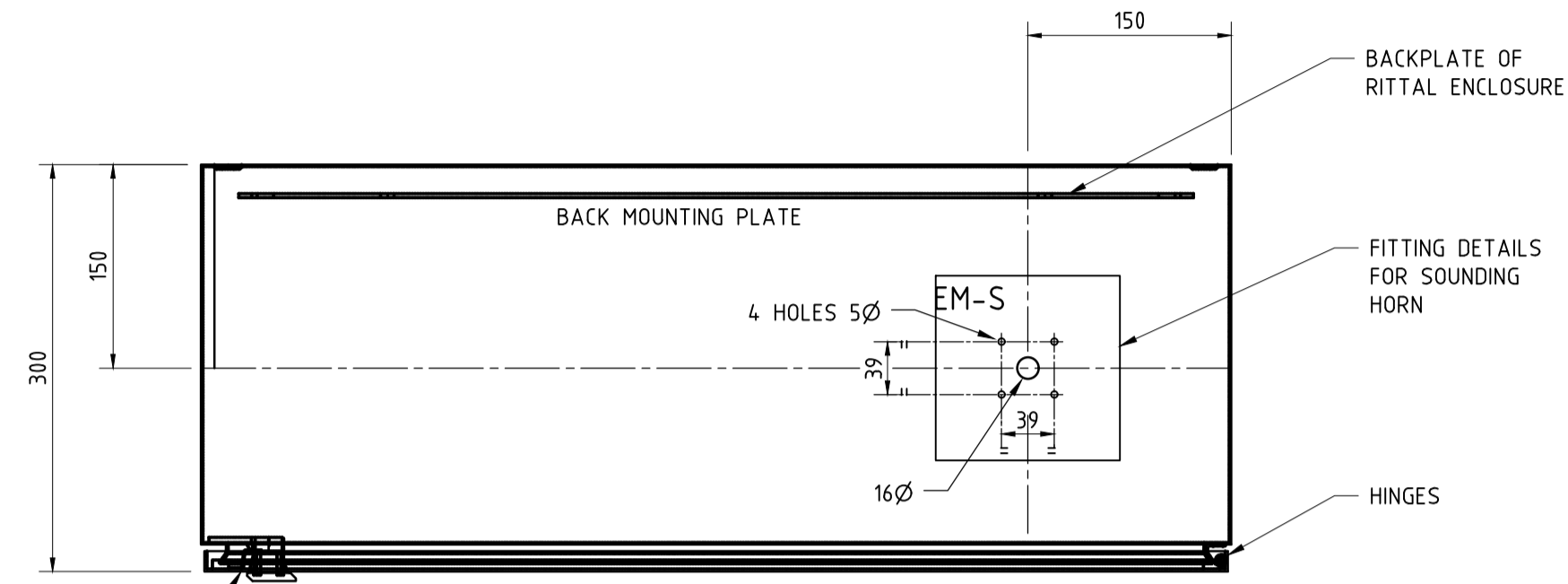


NOTES:
 1. ALL DIMENSIONS ARE IN MILLIMETRES.
 2. BACK MOUNTING PANEL TO BE DRILLED BY WORKSHOP OR ON SITE.
 3. FOR LABEL CONSTRUCTION, DRILLING AND ENGRAVING DETAILS REFER TO DRAWINGS 50996 & 64825.



MOUNTING PLATE LAYOUT
 FRONT VIEW
 BACKPLATE OF RITTAL ENCLOSURE UNIT -
 TO BE DRILLED/ASSEMBLED AT WORKSHOP
 SCALE 1:5

LABEL DETAILS					
LABEL SIZE & No.	COLOUR	TEXT LINE	TEXT HEIGHT	ENGRAVING	No OFF
C8-1	GRAVOPL Y No.200 WHITE/BLACK	LINE 1	7	SCADA PANEL	1

TAGNAME	MANUFACTURER	CATALOGUE NUMBER	DESCRIPTION
ENCLOSURE	RITTAL	1073500	WALL MOUNTED ENCLOSURE AE 760mm x 760mm x 300mm
EM-S	ASSERTA	AS/M/S/9-60/G	ELECTRONIC SOUNDER, GREY, 9 - 60VDC
AXION	SCHWEITZER	SEL-2241HCN4F, CU ETH	1 x WITH 10/100BASE-T ETHERNET PORTS - S/C: 185754
	SCHWEITZER	SEL-2242R1X0	1 x BACKPLANE - S/C: 185291
	SCHWEITZER	SEL-224321X0	1 x POWER COUPLER - S/C: 185290 (SLOT B)
	SCHWEITZER	SEL-2244222X0	2 x DI CARD - S/C: 185293 (SLOTS C&D)
	SCHWEITZER	SEL-22452121X0	1 x AI CARD - S/C: 185295 (SLOT E)
	SCHWEITZER	SEL-2244331X0	1 x DI CARD - S/C: 185294 (SLOT F)
OAP	AVARA	OAP-SE SA P21002.12--001	OPTICAL ACCESS POINT - SUBSCRIBER END
1E	WEIDMULLER	SAK 2.5	RAIL MOUNTED TERMINAL CAT No. 27966
X1, 1C, 1D	WEIDMULLER	ASK1	RAIL MOUNTED FUSE CAT No. 37676
X1, 1C, 1D, 1E, 1F	WEIDMULLER	SAKR	RAIL MOUNTED ISOLATING TERM CAT No.41226
LEGEND			

RITTAL WALL MOUNT CABINET
 SECTIONAL VIEW
 SCALE 1:5

RITTAL WALL MOUNT CABINET
 FRONT VIEW
 SCALE 1:5

TITLE	DWG No.
CITY DISTRIBUTION SUBSTATIONS WITH E TYPE LV BOARD AND OAFD DISTRIBUTION LOCAL AUTOMATION CONTROL PANEL LAYOUT AND LABEL DETAILS	227388 Sh2
CITY DISTRIBUTION SUBSTATIONS WITH E TYPE LV BOARD AND OAFD 1500kVA TX'S AND VENTILATION FAN AC SERVICE BOARD LAYOUT, WIRING, & CONNECTIONS	227387 Sh1
CITY CONTROL POINT CABLING DIAGRAM	227386 Sh3
CITY CONTROL POINT CABLE & INTER-PANEL WIRING SCHEDULE	227386 Sh4
CITY CONTROL POINT, SCADA PANEL SCHEMATIC, GENERAL DC SUPPLIES INTER-PANEL WIRING, FIBRE COMMS & CABLING DIAGRAM	227380 Sh5

<p>24 Campbell Street SYDNEY NSW 2000 P: 9272 3805</p>	SCALE	AS SHOWN	<p>CITY CONTROL POINT SCADA PANEL WITH SEL-2240 AXION LAYOUT & LABEL DETAILS</p>
	DESIGNED	M.BENNETT	
	DRAWN	M.BENNETT	
	CHECKED	L.MARTINUZZI	
APPROVED	M.BENNETT	DATE	09/06/2020
TRIM REF	-	PROJECT NUMBER	SJ-00313
ISSUED FOR CONSTRUCTION	PROJECT NUMBER	SJ-00313	DRAWING No. 227388
			SHEET 2
			AMD 3
			SIZE A1

CAD DRAWING
 DO NOT MANUALLY AMEND
AMENDMENTS
 1. CARD C TERMINALS 21-27 ADDED FOR CSACS MAIN NODES.
 M.BENNETT 17/09/2020
 CHECKED: G.HASTINGS
 APPROVED: M.BENNETT
 PN: SJ-00313

2. OAP MODULE DETAILS UPDATED.
 M.BENNETT 19/03/2021
 CHECKED: L.MARTINUZZI
 APPROVED: M.BENNETT

3. RTAC MODULE PART NUMBER UPDATED.
 M.BENNETT 16/06/2022
 CHECKED: L.MARTINUZZI
 APPROVED: M.BENNETT

