

- NOTES:**
- THIS DRAWING SHOWS THE DC SUPPLIES, INTER-PANEL WIRING, COMMS CONNECTIONS AND THE SCADA PANEL SCHEMATIC TO BE USED FOR CITY CONTROL POINTS. IT SHOULD BE READ IN CONJUNCTION WITH NETWORK STANDARDS AND THE SUBSTATION DESIGN INFORMATION PACKAGE.
 - THE CABLING ON THIS DRAWING AND CABLE SCHEDULE (SEE DWGS 227386 SH3 & SH4) IS FOR A CONTROL POINT FOR HIGH LEVEL SUBSTATIONS. VENTILATION, FAN FAILURE, WATER LEVEL AND ANALOGUES TO BE INSTALLED WHERE REQUIRED (REFER TO DESIGN PACKAGE).
 - EQUIPMENT SHOWN THIS [] MAY NOT BE IN SERVICE IN ALL CONTROL POINTS.
 - CABLE NAMING TO FOLLOW CABLE SCHEDULE.
 - THE SCADA PANEL INCORPORATES THE SEL-2240 AXION RTAC AND AUSGRID COMMUNICATIONS NETWORK EQUIPMENT.
 - THE SCADA PANEL IS TO BE LOCATED IN THE CONTROL POINT. A 240V AC - 48V DC UPS IS TO BE USED TO SUPPLY THE DLAC PANEL. REFER DRAWING 247770.
 - FOR THE ELECTRONIC SOUNDER LISTED IN THE LEGEND:
 - THE VOLUME CONTROL IS TO BE SET AT MAXIMUM (DIAL FULLY TURNED CLOCKWISE)
 - THE DIP SWITCH CONFIGURATION MUST BE: DOWN, UP, DOWN, UP (READ LEFT TO RIGHT).

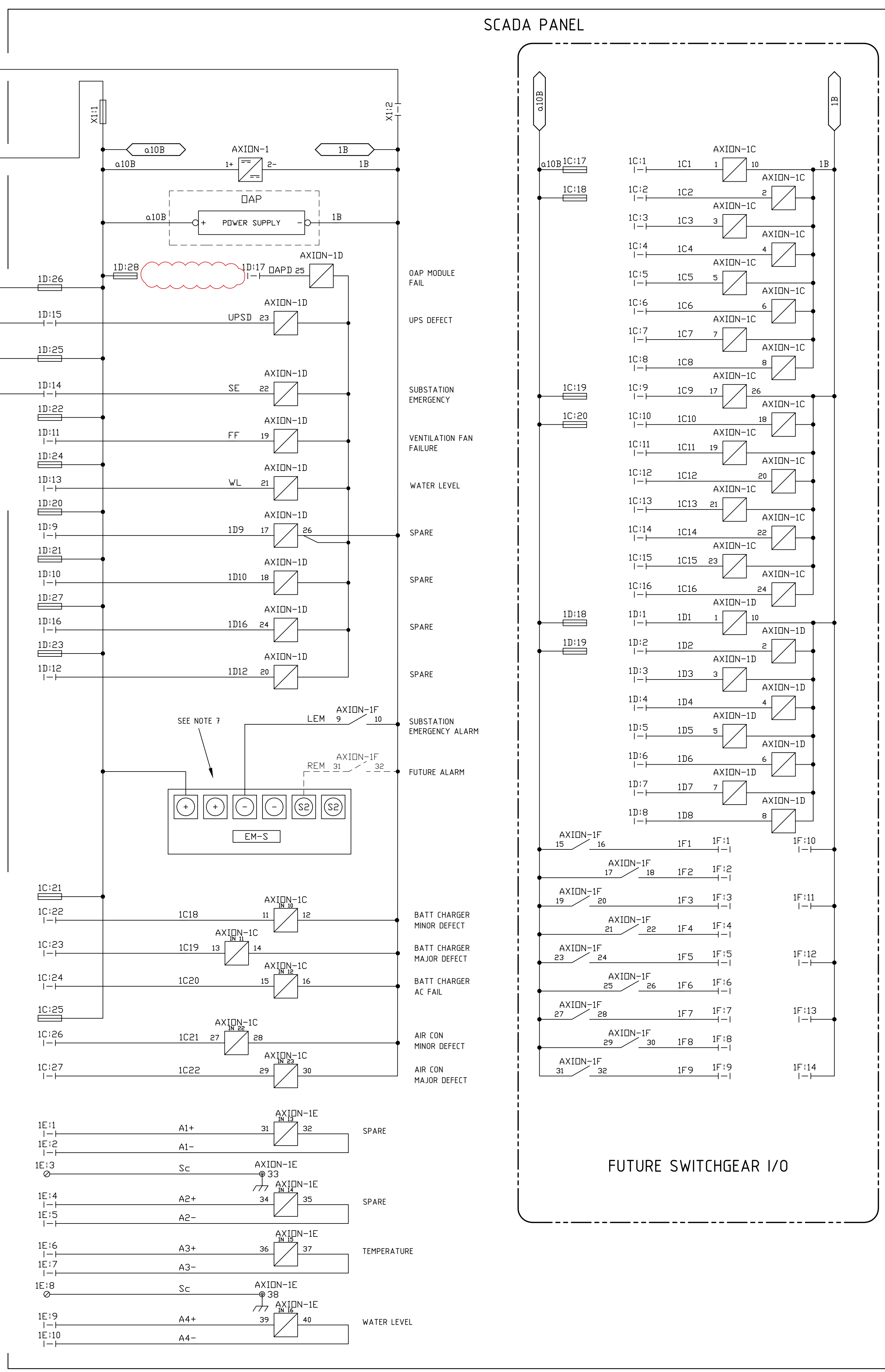
TAGNAME	MANUFACTURER	CATALOGUE NUMBER	DESCRIPTION
IS	CLIPSAL	WS226D	WALL MOUNTED 2 POLE ISOLATING SWITCH
ENCLOSURE	RITTAL	1073 500	WALL MOUNTED ENCLOSURE AE 760mm x 760mm x 300mm
EM-S	ASSERTA	AS/M76/9-60/G	ELECTRONIC SOUNDER, GREY, 9 - 60VDC
AXION	SCHWEITZER	SEL-2241HCNLF, CU ETH	1 x WITH 10/100BASE-T ETHERNET PORTS - S/C 185754
	SCHWEITZER	SEL-2242RFX0	1 x BACKPLANE - S/C 185291
	SCHWEITZER	SEL-224321X0	1 x POWER COUPLER - S/C 185290 (SLOT B)
	SCHWEITZER	SEL-2244222X0	2 x DI CARD - S/C 185293 (SLOTS C&D)
	SCHWEITZER	SEL-2245212XX0	1 x AI CARD - S/C 185295 (SLOT E)
	SCHWEITZER	SEL-2246333X0	1 x DI CARD - S/C 185294 (SLOT F)
DAP	AVARA	OAP-SE SA P21002.12-001	OPTICAL ACCESS POINT - SUBSCRIBER END
IE	WEIDMULLER	SAK 2.5	RAIL MOUNTED TERMINAL CAT No. 27966
X1, 1C, 1D	WEIDMULLER	ASK1	RAIL MOUNTED FUSE CAT No. 37676
X1, 1C, 1D, 1E, 1F	WEIDMULLER	SAKR	RAIL MOUNTED ISOLATING TERM CAT No. 41226

UPS	SB	SE1	SE2
240V AC - 48V DC UPS	240V LV SERVICE BOARD	SUBSTATION EMERGENCY PUSH BUTTON 1	SUBSTATION EMERGENCY PUSH BUTTON 2

PANEL ABBREVIATION TABLE	
[Symbol]	AXION-1
[Symbol]	AXION-1C
[Symbol]	AXION-1D
[Symbol]	AXION-1E
[Symbol]	AXION-1F
[Symbol]	AXION-1G
[Symbol]	AXION-1H
[Symbol]	AXION-1I
[Symbol]	AXION-1J
[Symbol]	AXION-1K
[Symbol]	AXION-1L
[Symbol]	AXION-1M
[Symbol]	AXION-1N
[Symbol]	AXION-1O
[Symbol]	AXION-1P
[Symbol]	AXION-1Q
[Symbol]	AXION-1R
[Symbol]	AXION-1S
[Symbol]	AXION-1T
[Symbol]	AXION-1U
[Symbol]	AXION-1V
[Symbol]	AXION-1W
[Symbol]	AXION-1X
[Symbol]	AXION-1Y
[Symbol]	AXION-1Z

TITLE	DWG No.
CITY DISTRIBUTION SUBSTATIONS WITH E TYPE LV BOARD AND OAPD DISTRIBUTION LOCAL AUTOMATION CONTROL PANEL LAYOUT AND LABEL DETAILS	227388 Sh2
CITY DISTRIBUTION SUBSTATIONS WITH E TYPE LV BOARD AND OAPD 1500VAA TX'S AND VENTILATION FAN AC SERVICE BOARD LAYOUT, WIRING, & CONNECTIONS	227387 Sh1
CITY CONTROL POINT CABLING DIAGRAM	227386 Sh3
CITY CONTROL POINT CABLE & INTER-PANEL WIRING SCHEDULE	227386 Sh4
CITY CONTROL POINT, SCADA PANEL SCHEMATIC, GENERAL DC SUPPLIES INTER-PANEL WIRING, FIBRE COMMS & CABLING DIAGRAM	227380 Sh5

DATE	BY	FOR
15/06/2020	M.BENNETT	DESIGNED
15/06/2020	L.MARTINUZZI	CHECKED
05/06/2020	M.BENNETT	APPROVED
05/06/2020	M.BENNETT	APPROVED
19/09/2021	L.MARTINUZZI	DESIGNED
19/09/2021	M.BENNETT	CHECKED
16/06/2022	L.MARTINUZZI	DESIGNED
16/06/2022	M.BENNETT	CHECKED
16/06/2022	M.BENNETT	APPROVED



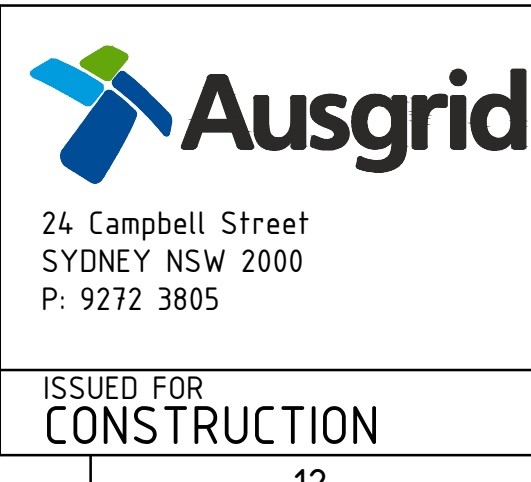
CONNECT SUBSTATION ALARMS AS REQUIRED

REQUIRED ONLY FOR CSACS MAIN NODES

CONNECT CONTROL POINT ANALOGUES AS REQUIRED

SCADA PANEL

FUTURE SWITCHGEAR I/O



SCALE	NTS
DESIGNED	M.BENNETT
DRAWN	M.BENNETT
CHECKED	L.MARTINUZZI
APPROVED	M.BENNETT
DATE	20/05/2020
TRIM REF	-
PROJECT NUMBER	SJ-00313

CITY CONTROL POINT SCADA PANEL SCHEMATIC, GENERAL DC SUPPLIES, INTER-PANEL WIRING, COMMS & CABLING DIAGRAM			
ISSUED FOR CONSTRUCTION	PROJECT NUMBER	SJ-00313	DRAWING No 227380
	SHEET	5	AMD 5
	SIZE	B1	