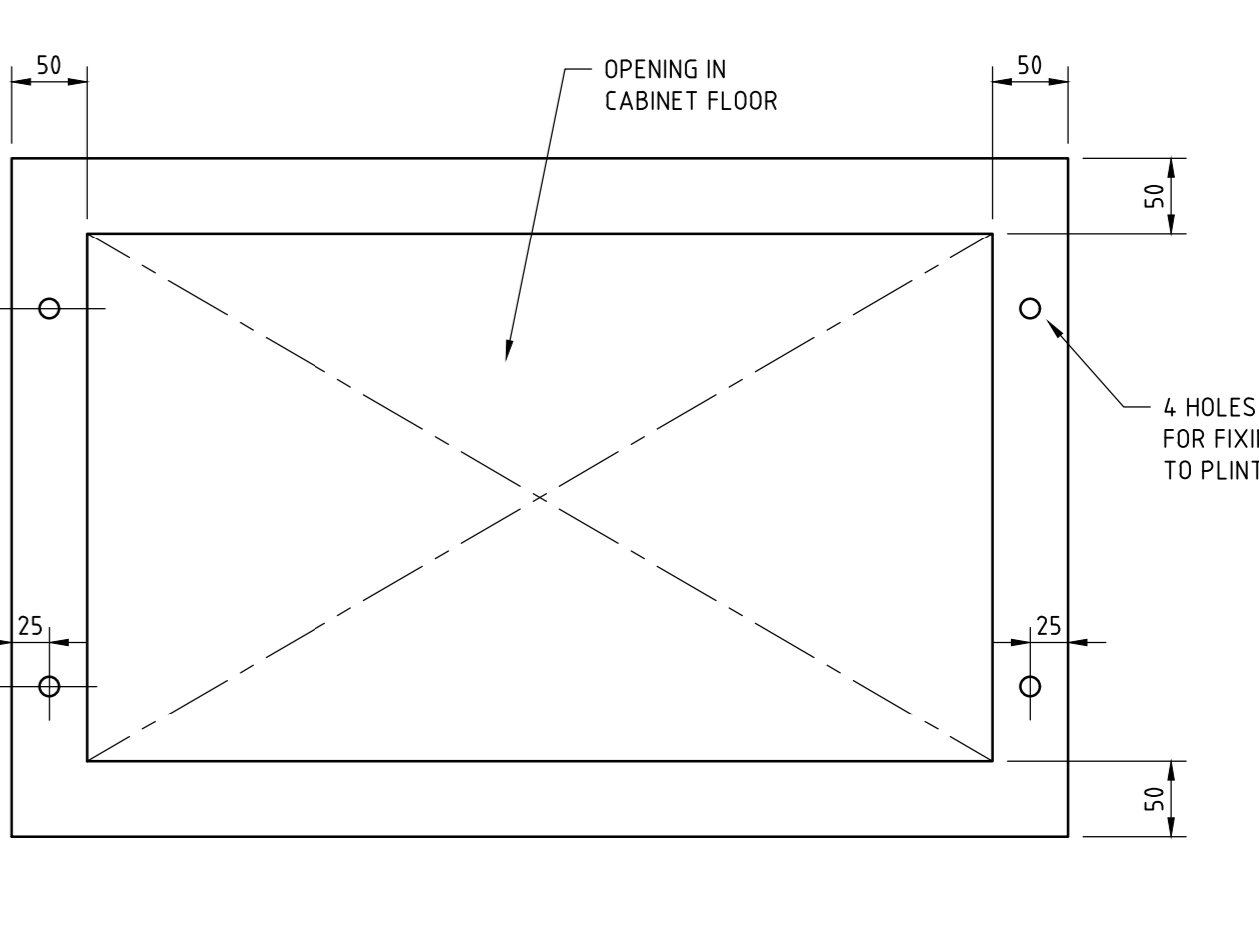
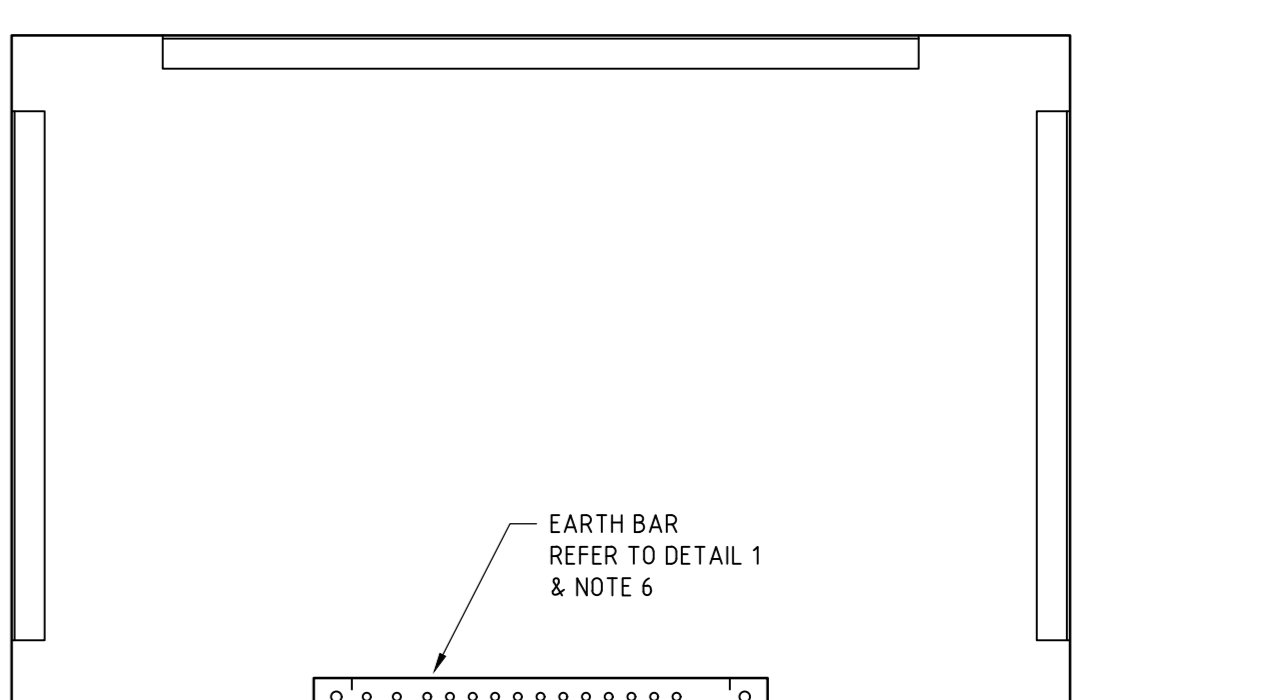
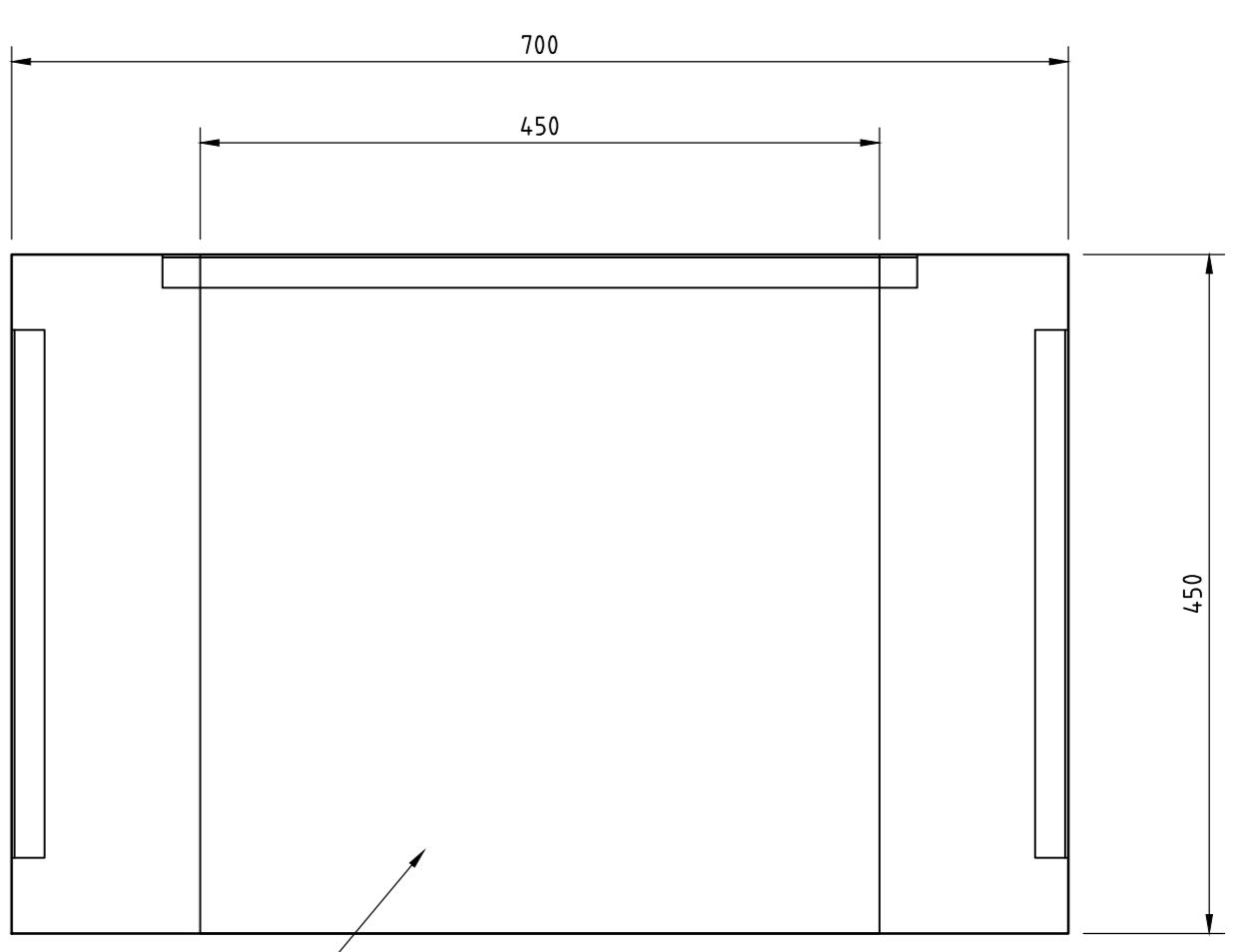
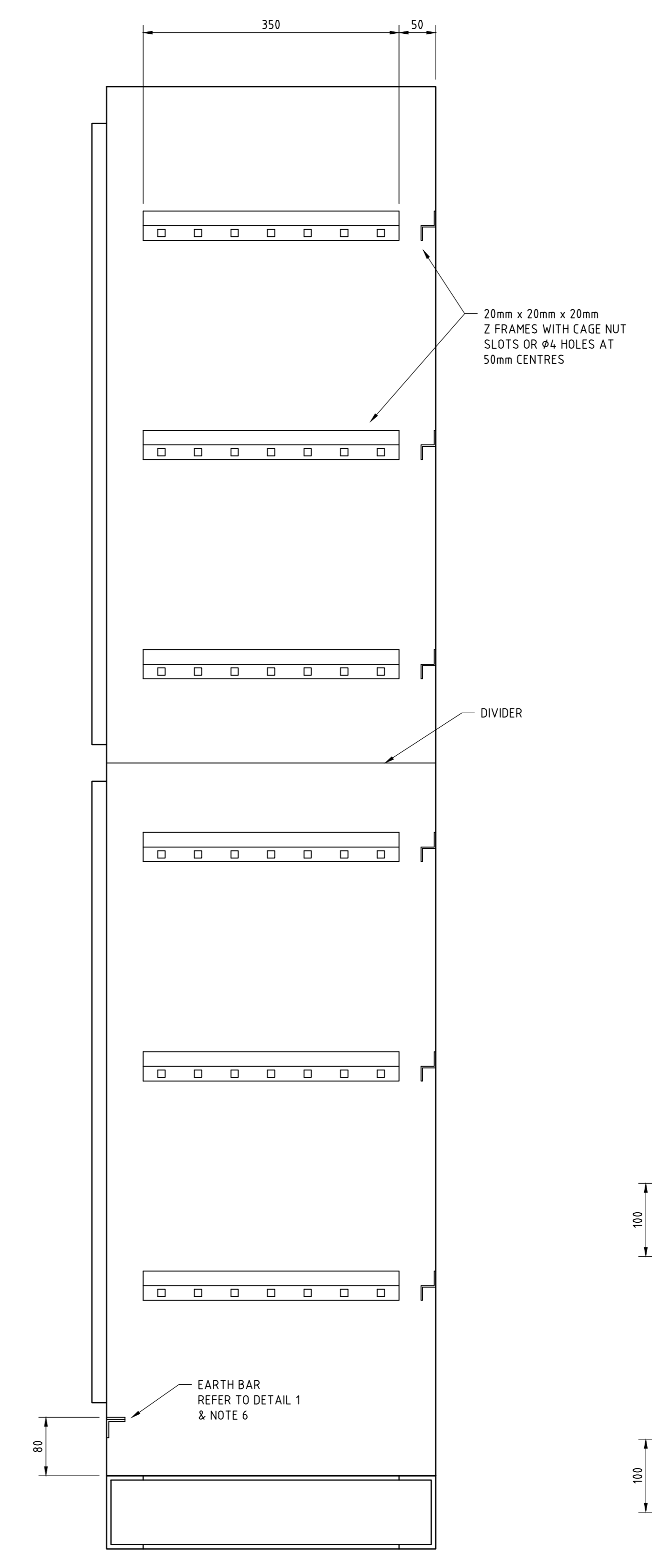
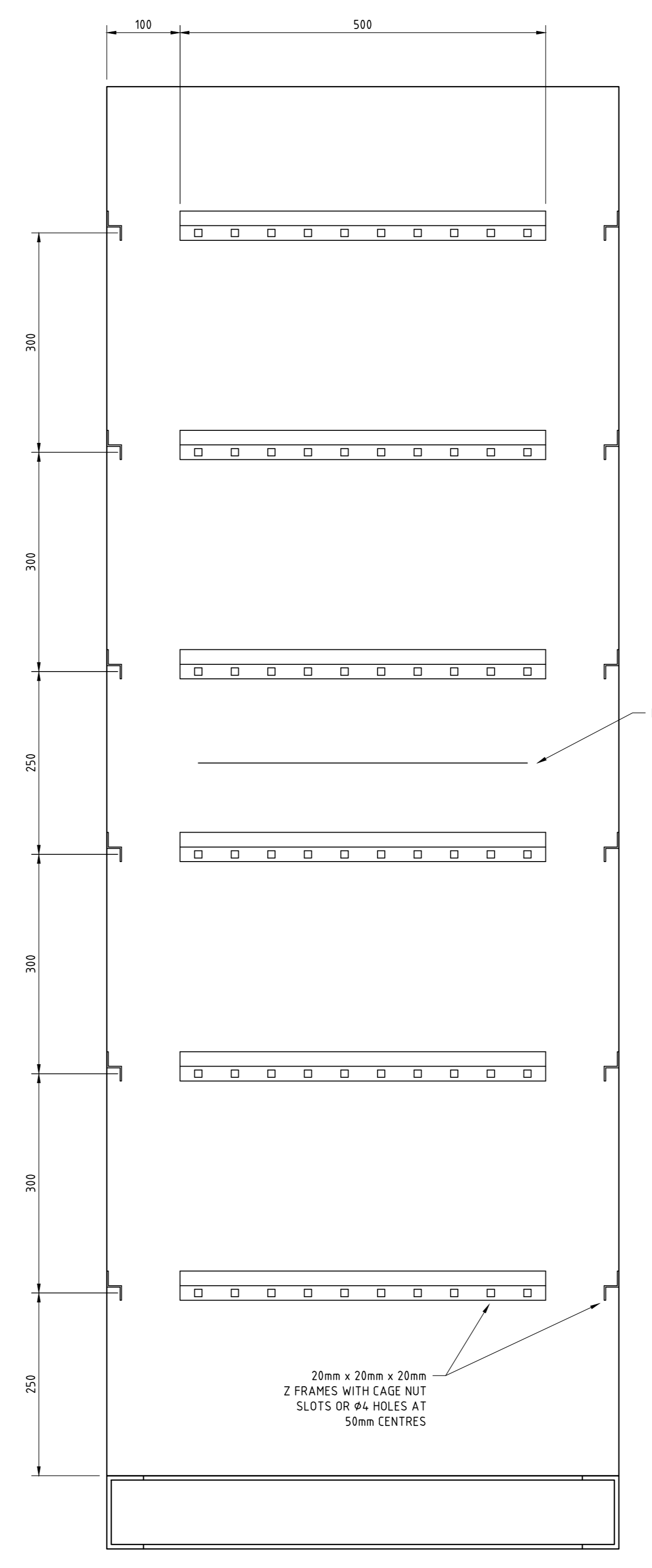
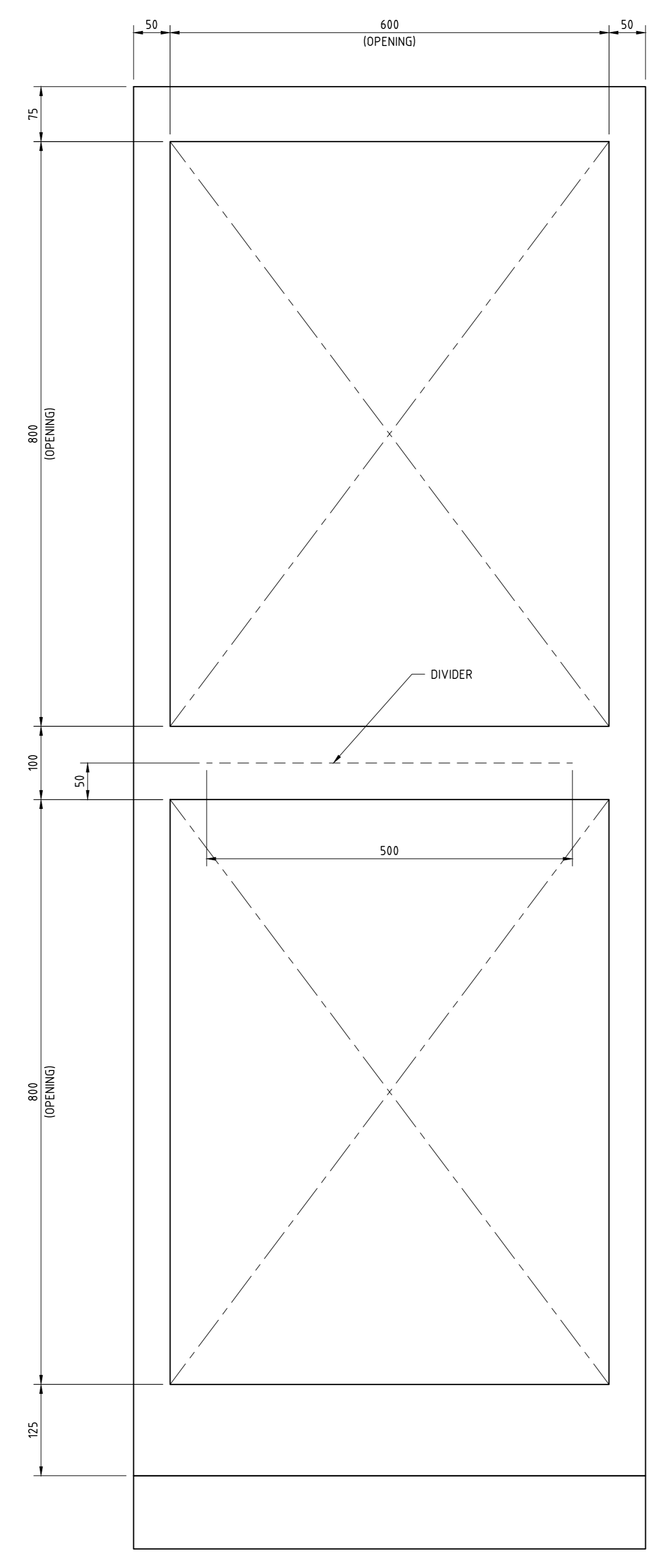
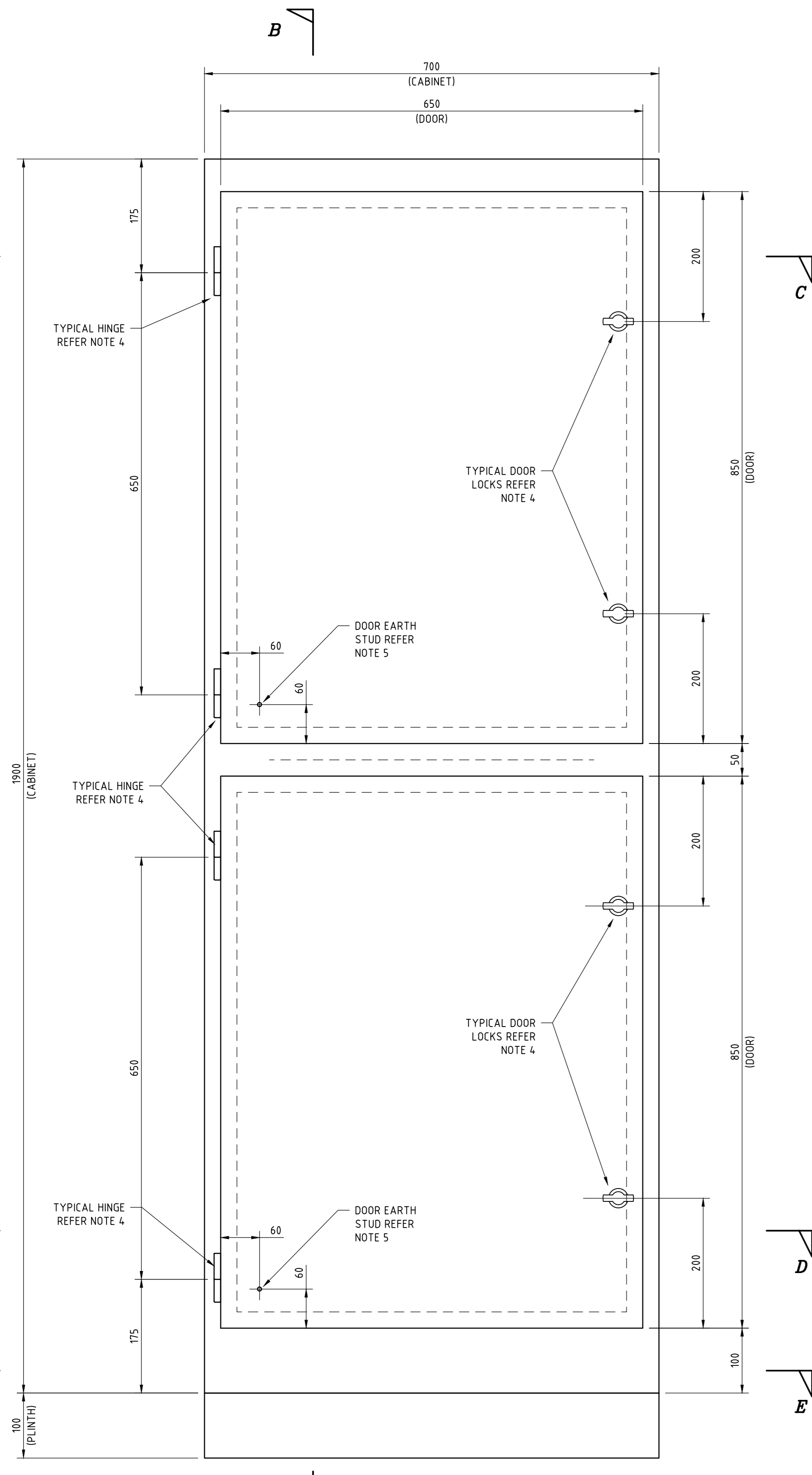
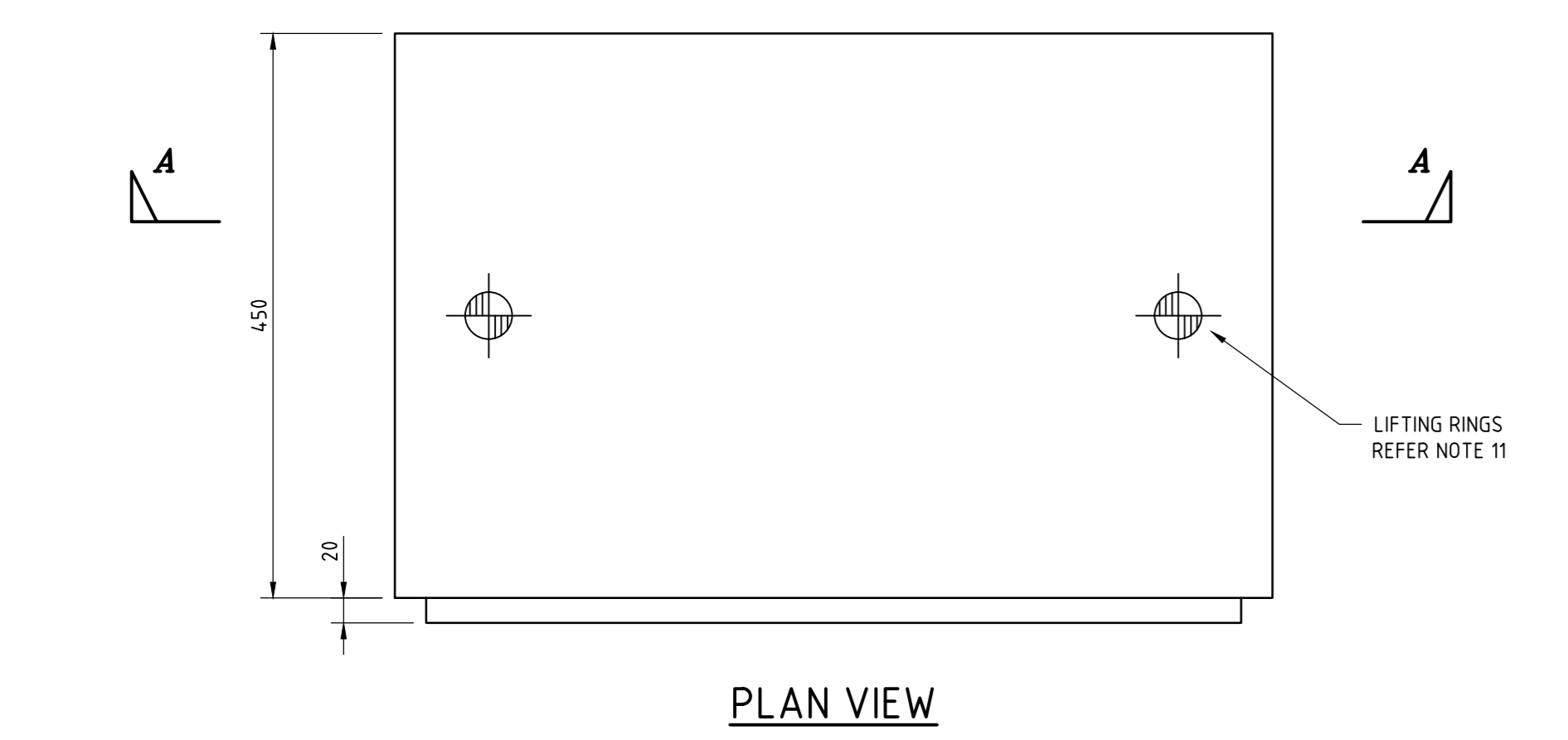


- NOTES**
- THE CABINET, INCLUDING DOORS, Z FRAMES AND OTHER FITTINGS IS TO BE CONSTRUCTED FROM 2mm MILD STEEL. ALL JOINTS ARE TO BE SEAM WELDED TO AS1554 PART 1.
 - ALL CABINET STEEL WORK IS TO BE DEBURRED AND THOROUGHLY CLEANED BEFORE POWDER COATING WITH N22 GLOSS CLOUD GREY. ANY DEFORMATIONS CAUSED BY WELDING ARE TO BE FILLED BEFORE POWDER COATING.
 - EACH DOOR IS TO HAVE A RETURN OF NOT MORE THAN 20mm. ALL DOOR RETURNS ARE TO BE FITTED WITH A RUBBER SEAL FOR THEIR ENTIRE LENGTH.
 - EACH DOOR IS TO BE FITTED WITH HEAVY DUTY DOOR HINGES AND "T" TYPE NON-KEYED HANDLES WHERE INDICATED. DOORS HANDLES AND HINGES CAN BE ON EITHER SIDE OF THE DOORS SO THIS DRAWING SHOWS TYPICAL LOCATIONS, THE INDIVIDUAL PANEL LAYOUT DRAWING WILL SHOW THE SUITABLE DOOR HANDLE AND HINGE LOCATIONS.
 - A DOOR EARTH STUD IS TO BE PROVIDED ON EACH DOOR. EACH STUD IS TO BE M6 x 25mm FIRED ON THE POSITIONS SHOWN.
 - THE EARTH BAR IS TO BE MADE FROM 25mm x 3mm HDHC COPPER AS PER DETAIL 1. IT IS TO BE MOUNTED WHERE INDICATED ON 25mm x 3mm MS GALV MS ANGLE BRACKETS. THE BRACKETS ARE TO BE WELDED TO THE CABINET. GALVANISING IS TO BE RESTORED TO THE WELDS AND SURROUNDING AREA WITH A CORROSIVE RESISTANT PRODUCT SUCH AS "ZINCFIX". THE EARTH BAR IS TO BE FIXED TO THE ANGLES WITH 6mm STAINLESS STEEL BOLTS. THE CONTACT SURFACES OF THE EARTH BAR AND ANGLE BRACKETS ARE TO BE CLEANED TO ENSURE GOOD ELECTRICAL CONDUCTIVITY BEFORE ASSEMBLY.
 - THE PLINTH IS TO BE MADE FROM 100mm x 50mm x 6mm CHANNEL. ALL JOINTS ARE TO BE WELDED TO AS 1554 PART 1.
 - THE COMPLETED PLINTH IS TO HOT DIP GALVANISED TO AS 4680.
 - THE CABINET IS TO BE BOLTED TO THE PLINTH WITH GALVANISED 12mm NUTS AND BOLTS.
 - DRILLING FOR RELAYS, LINKS ETC IS SHOWN ON THE INDIVIDUAL PROTECTION PANEL DRAWINGS.
 - THE CABINET IS TO BE SUITABLY REINFORCED TO ALLOW FOR THE FITTING OF LIFTING RINGS IN THE POSITIONS SHOWN. LIFTING RINGS ARE TO BE CAPABLE OF LIFTING THE COMBINED WEIGHT OF THE CABINET AND PLINTH. ANY REINFORCING USED IS NOT TO ENCRDACH MORE THAN 10mm INTO THE CABINET.



REVISIONS

NO.	DESCRIPTION	DATE
1	ISSUED FOR CONSTRUCTION	14/10/2015

SCALE	AS SHOWN
DESIGNED	-
DRAWN	E.KAIROUZ
CHECKED	L.MARTINUZZI
APPROVED	M.BENNETT
DATE	14/10/2015
TRIM REF	-
PROJECT NUMBER	ES 208-6-9-4

CITY DISTRIBUTION SUBSTATIONS
FREE STANDING PROTECTION CABINET
(WITH 650 x 850 DOORS)
SPECIFICATION

DRAWING No **205952** SHEET 2 AMD 1 SIZE A0

C&P - DISTRIBUTION SUBS