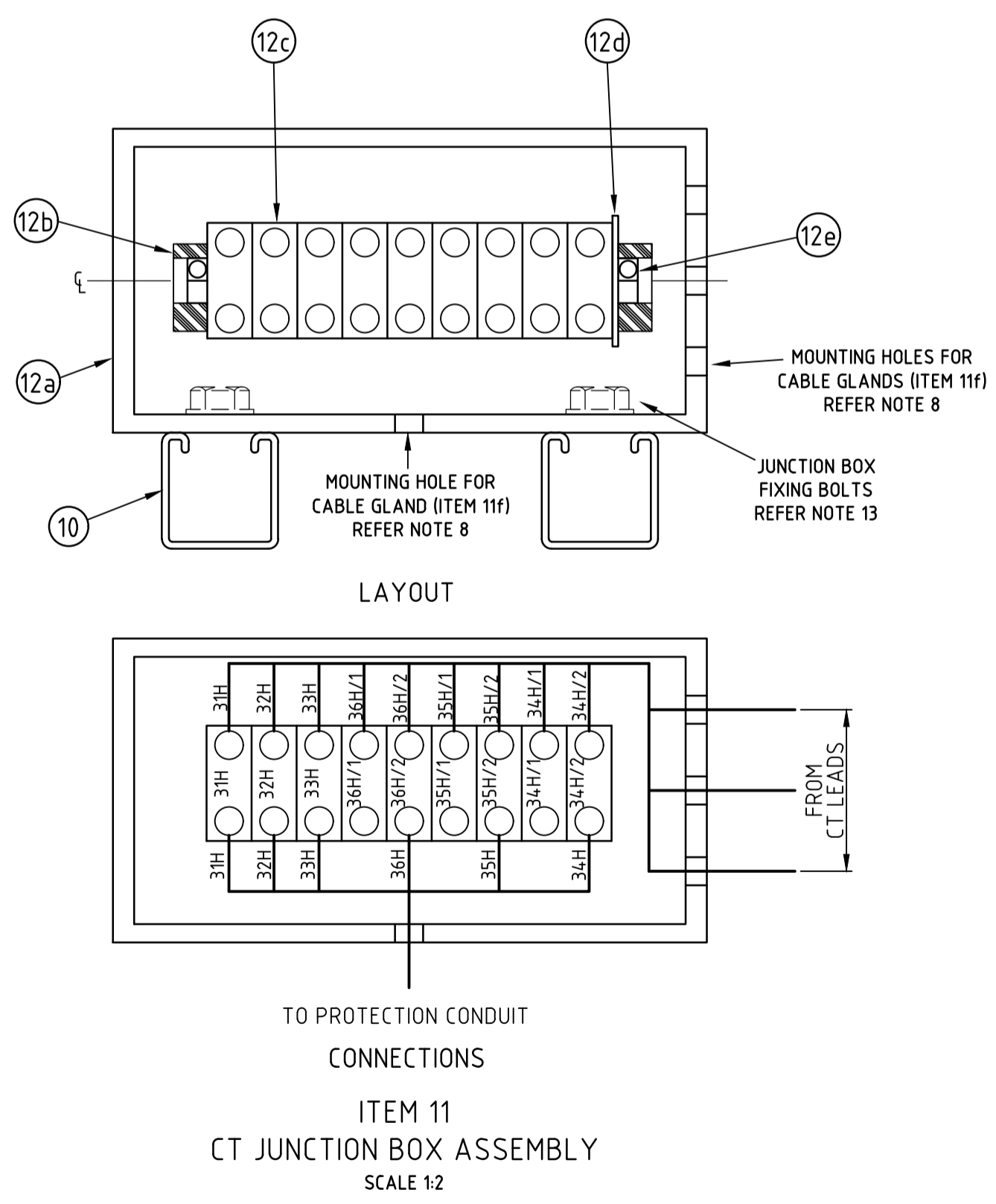
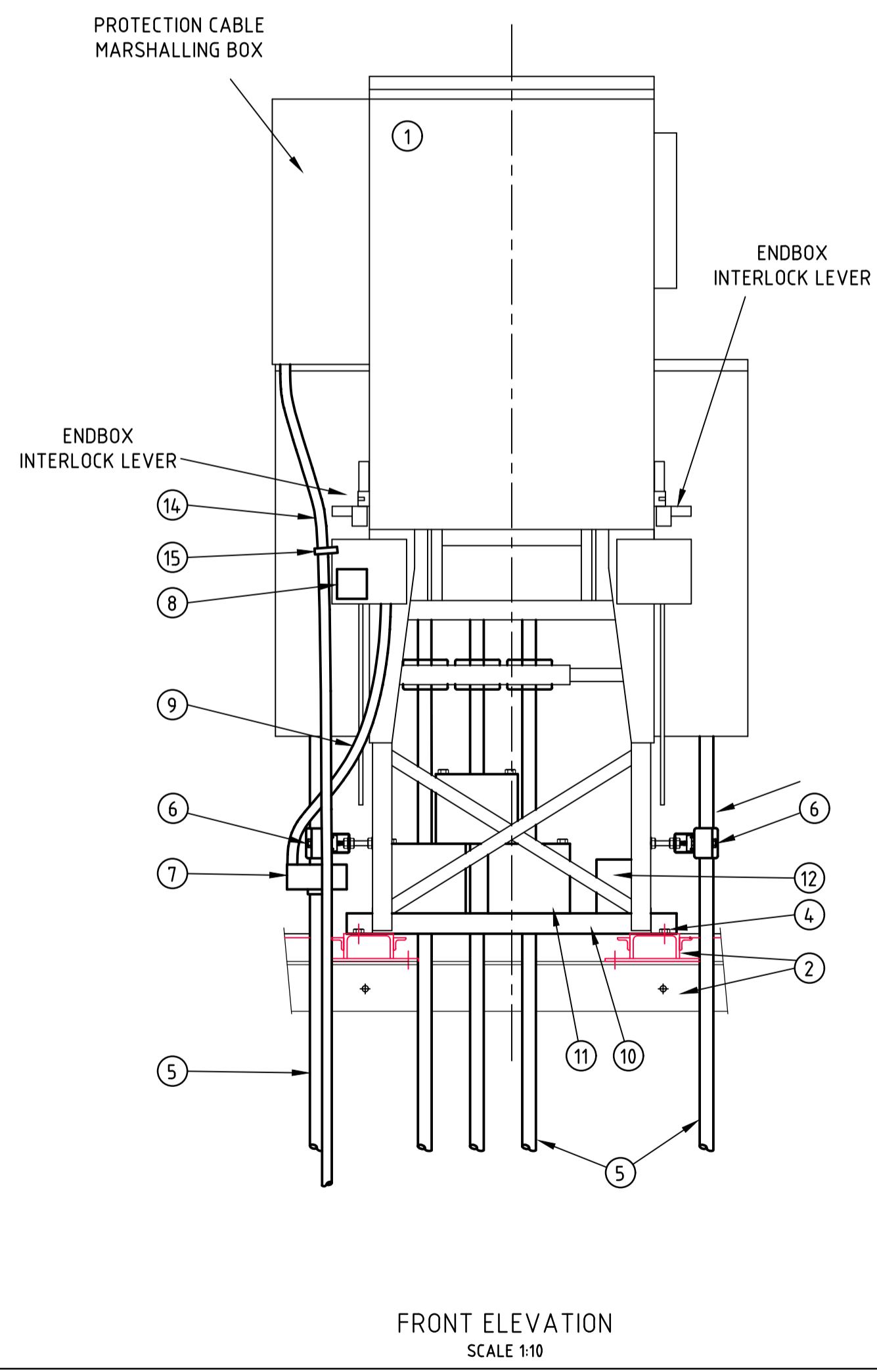
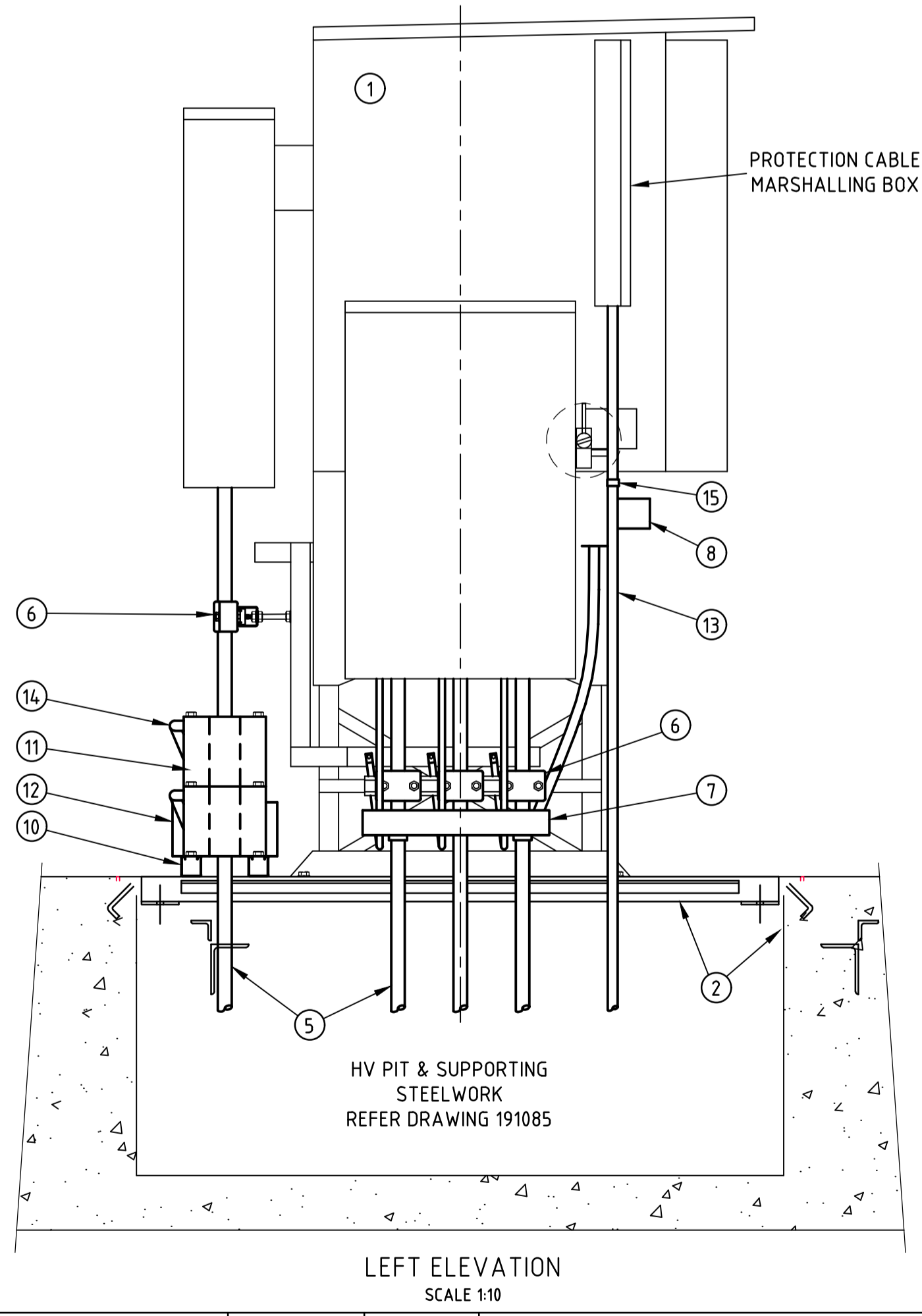
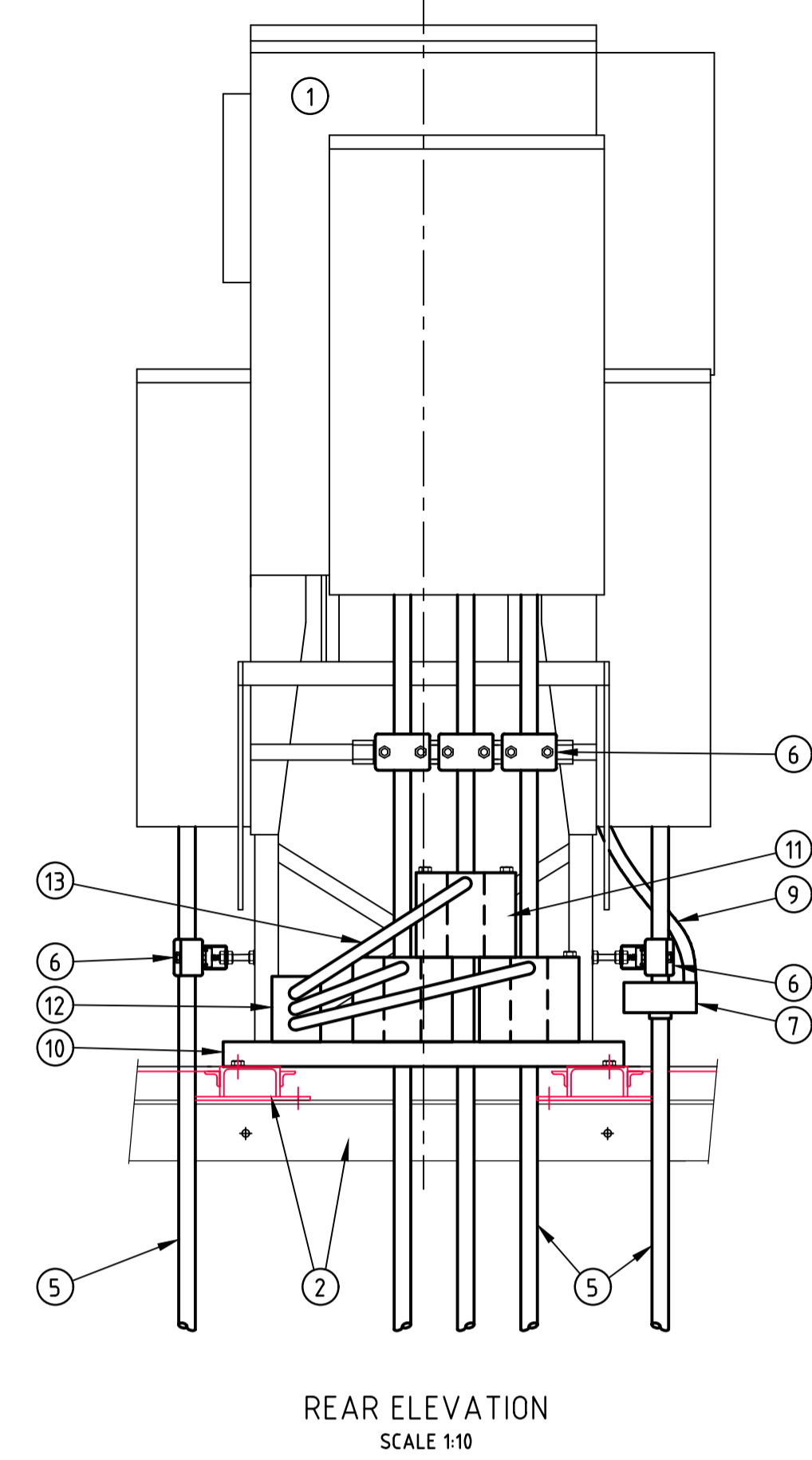
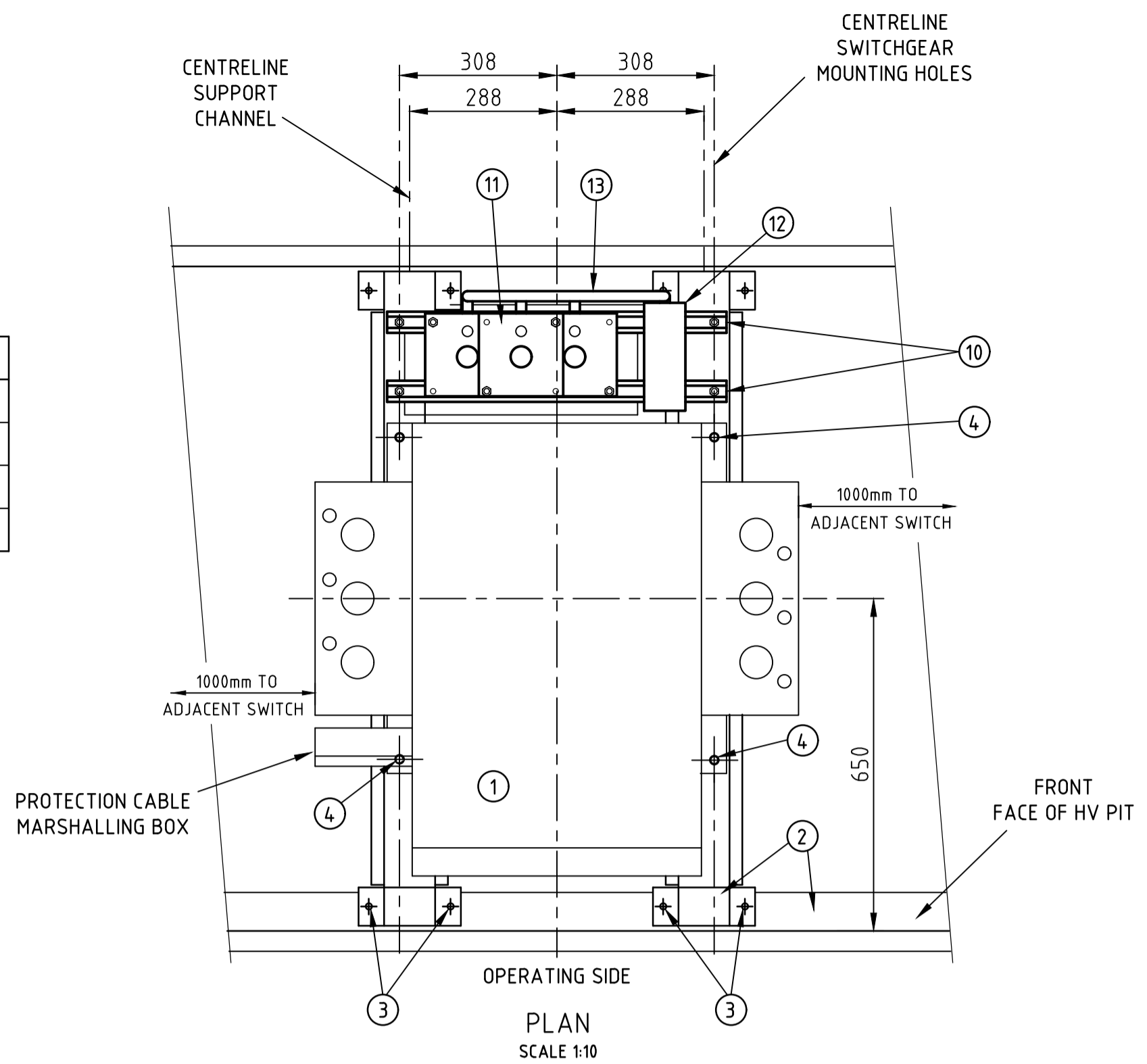


REFERENCE DRAWINGS	
LUCY SABRE VRN2a GENERAL ARRANGEMENT	234375
LUCY SABRE VRN6a GENERAL ARRANGEMENT	190869
HV PIT CONSTRUCTION AND SUPPORTING STEELWORK	191085
EARTH FAULT INDICATOR TYPE EFI3 OUTLINE, DRILLING & CONNECTIONS	113884



NOTES

- THIS DRAWING OUTLINES THE WORK REQUIRED TO INSTALL A LUCY VRN2a OR VRN6a RMICB OVER THE HV SWITCHGEAR PIT SHOWN ON DRAWING 191085 AND IS TO BE READ IN CONJUNCTION WITH THE SUBSTATION LAYOUT DRAWING AND AUSGRID'S NETWORK STANDARDS.
- THIS DRAWING DOES NOT SHOW CABLE SCREEN EARTHING OR CONNECTION OF THE HV SWITCH TO THE SUBSTATION EARTH BAR. REFERENCE TO NETWORK STANDARDS 114 AND 177 IS REQUIRED FOR THIS INFORMATION.
- THE HV SWITCH IS TO BE MOUNTED ON THE SUPPORTING STEELWORK DETAILED ON DRAWING 191085 TO THE DIMENSIONS SHOWN ON THIS DRAWING.
- THE SPACING OF THE SUPPORTING STEELWORK IS TO BE ADJUSTED TO SUIT THE HV SWITCH.
- THE SUPPORTING STEELWORK IS TO BE DRILLED ON SITE TO SUIT THE HV SWITCH.
- ALL FLEXIBLE CONDUIT AND CABLE GLANDS ARE TO BE GREY 20mm MEDIUM DUTY UV STABILISED TO AS 2053.
- FLEXIBLE CONDUITS ARE TO BE RUN VIA THE SHORTEST POSSIBLE ROUTE AND SUPPORT PROVIDED WHERE SHOWN WITH SUITABLE CONDUIT CLAMPS. IF UNSUITABLE FORCES ARE TRANSFERRED ONTO EQUIPMENT VIA THE FLEXIBLE CONDUIT ADDITIONAL CLAMPS SHOULD BE USED.
- FLEXIBLE CONDUITS ARE TO BE TERMINATED ON THE HV SWITCH AND CT JUNCTION BOX VIA SUITABLE CONDUIT GLANDS. FOR THE PROTECTION CT's, THE CONDUIT IS TO BE CLAMPED ONTO THE CT FITTINGS PROVIDED. THE CT JUNCTION BOX IS TO BE DRILLED TO ACCEPT THE GLANDS. FOR THE EFI CT, THE CONDUIT IS TO BE TIED TO THE CT ADJACENT TO THE CABLE ENTRY POINT.
- THE FLEXIBLE CONDUIT FROM THE PROTECTION MARSHALLING BOX IS TO BE CLAMPED TO THE EFI BRACKET SUCH THAT IT DOES NOT INTERFERE WITH THE OPERATION OF THE ENDBOX INTERLOCK.
- THE FLEXIBLE CONDUITS FROM THE PROTECTION MARSHALLING BOX AND PROTECTION CT's ARE TO BE RUN IN A CONTINUOUS LENGTH TO THE PROTECTION CONDUIT LOCATED IN THE WALL OF THE HV PIT.
- THE P1000 UNISTRUT PROTECTION CT BRACKETS ARE TO BE FIXED TO THE HV SWITCH SUPPORT STEELWORK WITH SUITABLE UNISTRUT BOLTS, NUTS AND WASHERS.
- THE PROTECTION CT's ARE TO BE FIXED TO THEIR P1000 BRACKETS VIA THREADED RODS. RODS ARE TO BE FITTED TO DIAGONALLY OPPOSITE HOLES IN THE CT'S ONLY.
- THE JUNCTION BOX IS TO BE FIXED TO THE P1000 BRACKETS WITH SUITABLE UNISTRUT BOLTS, NUTS AND WASHERS.
- THE EFI, EFI CT AND FLEXIBLE CONDUIT CAN BE FITTED TO EITHER SIDE OF THE HV SWITCH. REFER TO THE SUBSTATION DESIGN INFORMATION PLAN FOR DETAILS.

MATERIAL LIST			
ITEM No	DESCRIPTION	REMARKS	No. OFF
1	LUCY SABRE VRN2a OR VRN6a RMICB		1
2	SUPPORTING STEELWORK	REFER DRAWING 191085	2
3	SUPPORTING STEELWORK HOLD DOWN BOLTS	M12 GALVANISED BOLTS, NUTS & WASHERS	8
4	SWITCHGEAR HOLD DOWN BOLTS	M16 GALVANISED BOLTS, NUTS & WASHERS	4
5	HV CABLES	AS PER DESIGN INFORMATION PACKAGE	9
6	CABLE CLAMPS	AS PER NETWORK STANDARD 177	9
7	EFI CT	AS PER NETWORK STANDARD 177	1
8	EFI	REFER DRAWING 113884	1
9	EFI CT LEADS FLEXIBLE CONDUIT	REFER NOTES 6,7 & 8	1
10	P1000 UNISTRUT	665mm LONG	2
11	PROTECTION CT's	AS PER NETWORK STANDARD 114	1
12	CT JUNCTION BOX ASSEMBLY		1
12a	BOX	CLIPSAL 265/5 JUNCTION BOX	1
12b	TERMINAL MOUNTING RAIL	UTILUX H2233 170mm LONG	1
12c	TERMINALS	UTILUX H3820	9
12d	END PLATES	UTILUX H3821	2
12e	CLAMPS	UTILUX H2232	2
12f	CABLE GLANDS	TO SUIT FLEXIBLE CONDUIT. REFER NOTE 8	4
13	PROTECTION CT LEADS FLEXIBLE CONDUIT	REFER NOTES 6,7 & 8	1
14	PROTECTION CABLES FLEXIBLE CONDUIT	REFER NOTES 6,7 & 8	1
15	FLEXIBLE CONDUIT CLAMP	TO SUIT FLEXIBLE CONDUIT. REFER NOTE 9	1

CAD DRAWING
DO NOT MANUALLY AMEND
AMENDMENTS
1. NEW DRAWING BORDER ADDED.
HV PIT AND SUPPORTING STEELWORK AMENDED AS PER DWG 191085. CLAMPS UPDATED TO NETWORK STANDARD. P/N: PM02-02/010-1-5-1
DATE: 16-11-2011
DRAWN: M. CHARAN
CHECKED: C. MABBUTT
APPROVED: P. JARVIS

2. VRN2a ADDED TO TITLE REFERENCE DRAWING AND NOTE 1.
P. JARVIS 22/6/18
CHECKED: C. MABBUTT
APPROVED: D. GREY

3. NEW UPDATED BORDER ADDED.
19/09/2024
S. MUNRO
CHECKED: M. BENNETT
APPROVED: M. BENNETT

SCALE	AS SHOWN
DESIGNED	-
DRAWN	P. JARVIS
CHECKED	C. MABBUTT
APPROVED	D. GREY
DATE	22/06/2018
TRIM REF	-
PROJECT NUMBER	ES 208-6-9-2

**CUSTOMER CHAMBER TYPE SUBSTATIONS
INSTALLATION OF
LUCY SABRE VRN2a
& VRN6a RMICB**

ISSUED FOR CONSTRUCTION

DRAWING No **192908** SHEET 1 AMD 3 SIZE A1