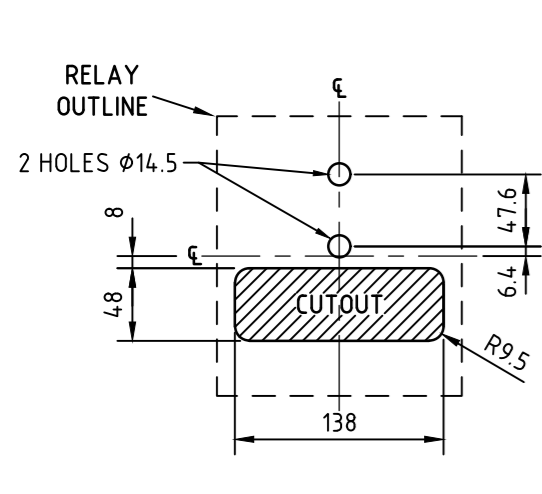
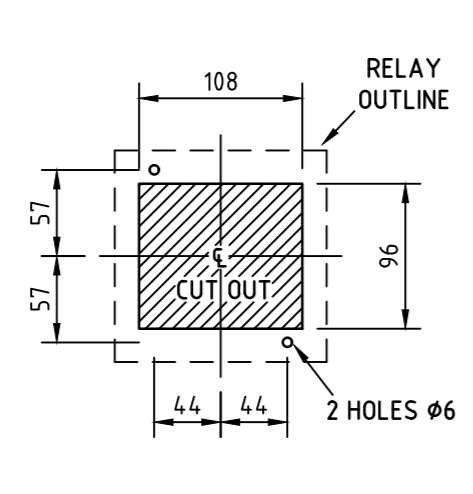


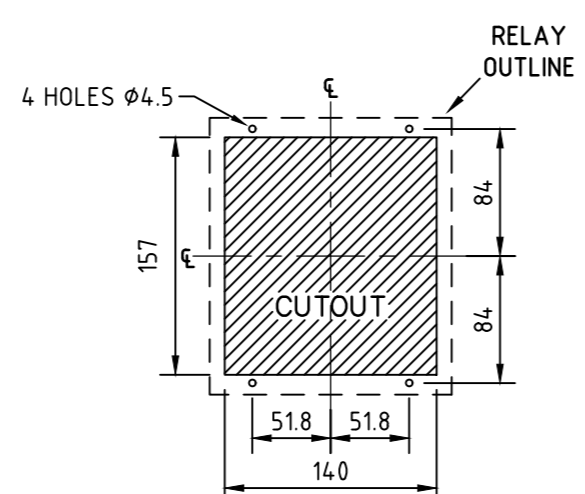
A



RELAY TYPE CO-9



RELAY TYPE K3M

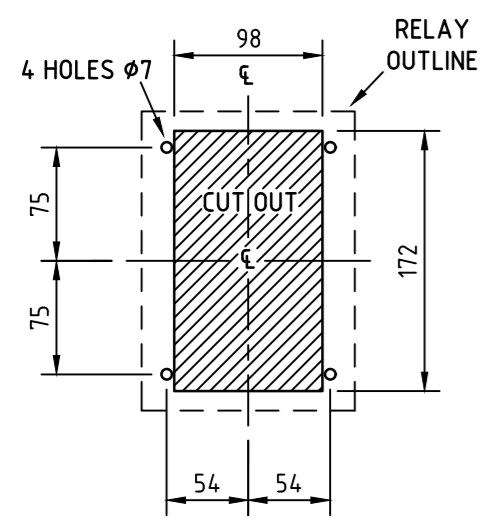


RELAY TYPE MICOM P115

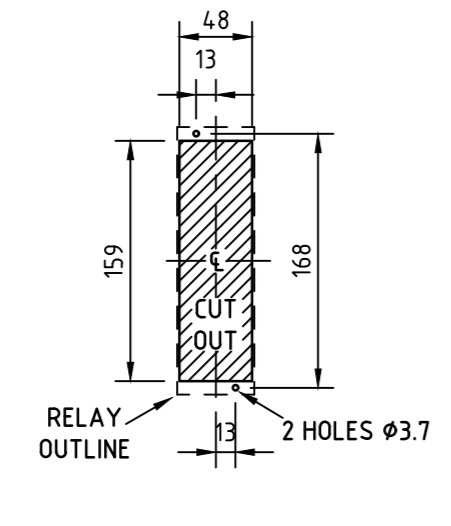
**NOTES:**

1. THIS DRAWING PROVIDES THE DRILLING AND CUT-OUT INFORMATION FOR RELAYS USED IN DISTRIBUTION SUBSTATIONS. THE INFORMATION SHOWN HAS BEEN EXTRACTED FROM STANDARD PROTECTION DRAWINGS AND INSTRUCTIONS.
2. THIS DRAWING SHOULD BE READ IN CONJUNCTION WITH RELEVANT NETWORK STANDARDS AND THE PROTECTION PANEL DRAWINGS LISTED IN THE TABLE.
3. THE DRILLING AND CUT-OUT INFORMATION SHOWN IS VIEWED FROM THE FRONT OF THE RELAY.
4. ALL DIMENSIONS ARE IN mm.

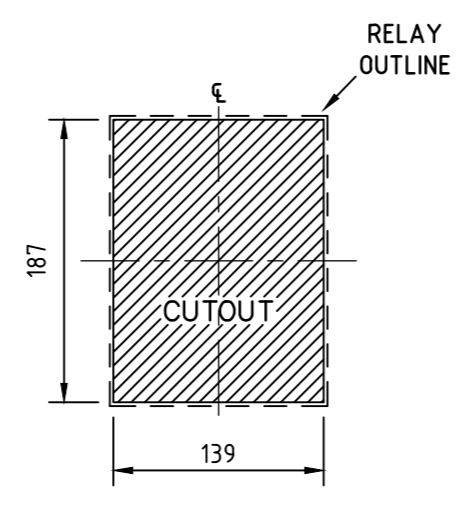
B



RELAY TYPE 2HS522K10



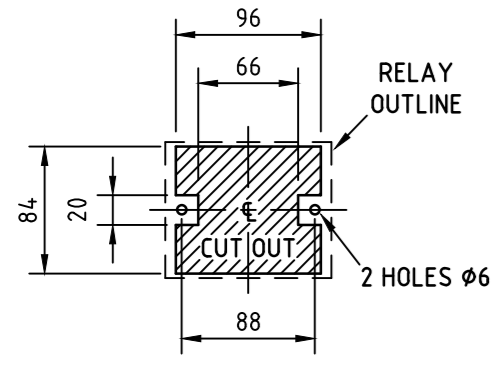
RELAY TYPES TI-2 (CITY), TI-3 (0.2)



RELAY TYPE SEL-751A

C

D



RELAY TYPES DMT,PIR

E

RELAY ALLOCATION						
SYMBOL	DESCRIPTION	TYPE	PROTECTION PANEL DRAWING			
			SUBURBAN SINGLE Tx	SUBURBAN WITH OAFD	CITY	
			WALL MOUNTED	WALL MOUNTED	WALL MOUNTED	CABINET
COC	CUSTOMER OVERCURRENT RELAY	CO-9	-	-	237235-1	-
COC	CUSTOMER OVERCURRENT & EARTH FAULT RELAY	MICOM P115	-	227353-1	-	-
DIFF	DIFFERENTIAL RELAY	K3M	237230-2	227351-1	-	237234-1
DMS	SIGNAL AND LOCKOUT RELAY	TI-3 (0.2)	-	-	-	237234-1
DMT	TRIP AND SIGNAL RELAY	DMT	-	-	-	237234-1
LV OC&EF-A	LV OVERCURRENT & EARTH FAULT RELAY	MICOM P115	-	227351-1	-	-
PIR	PILOT INTERLOCK RELAY	PIR	-	-	-	237234-1
SOC	SUMMATED OVERCURRENT RELAY	CO-9	-	-	-	237234-1
TI-Th	THERMAL TRIP INDICATOR (DRY TYPE TRANSFORMERS)	TI-2 (CITY)	-	-	-	237234-1
		TI-3	237230-2	227352-1	-	-
TR	MULTI-TRIPPING RELAY	2HS522K10	-	-	-	237234-1
TxOC	TRANSFORMER OVERCURRENT RELAY	CO-9	237230-2	-	-	237234-1
TxOC Aux	TRANSFORMER OVERCURRENT AUXILIARY TRIP INDICATOR	TI-2 (CITY)	-	-	-	237234-1
TXP-B	TRANSFORMER PROTECTION RELAY	SEL-751A	-	227351-1	-	-

F

**CAD DRAWING**  
DO NOT MANUALLY AMEND  
**AMENDMENTS**

1. RELAY TYPES PCD & TI3 (CITY) DELETED. NEW TI2 (CITY) & TI3 RELAYS ADDED. DMT & PIR RELAYS WERE TYPES XXXX & XXXIX. CITY PROT. PANEL DWG NUMBERS ALTERED.  
P. JARVIS 10/08/2009  
CHECKED: P. EASTON  
APPROVED: P. EASTON  
PN: DS 209-1-55-2

2. NEW AUSGRID BORDER & LOGO ADDED.  
R.LAALAA 30/09/2013  
APPROVED: T.LAMPARD

3. REF A1:  
REPLACED COG33 WITH CO-9.  
REF A3 & C3:  
ADDED MICOM P115 & SEL-751A RELAYS.  
REF D/ES-D/EB:  
AMENDED TABLE RELAY CHANGES & FOR SINGLE Tx & OAFD SUBSTATION OPTIONS.  
REF NOTES:  
ADDED NOTE 4.  
L.MARTINUZZI 06-03-2015  
CHECKED: L.MARTINUZZI  
APPROVED: M.BENNETT  
PN: OPEX-1831-1-3-1

4. NEW UPDATED DRAWING BORDER ADDED.  
S.MUNRO 19/09/2024  
CHKD: M.BENNETT  
APPR: M.BENNETT

24 Campbell Street  
SYDNEY NSW 2000  
P: 9272 3805

ISSUED FOR CONSTRUCTION

SCALE	1:5
DESIGNED	-
DRAWN	P.JARVIS
CHECKED	P.EASTON
APPROVED	M.THOMPSON
DATE	10/06/2008
TRIM REF	-
PROJECT NUMBER	ES 208-6-9-4

CITY & SUBURBAN DISTRIBUTION SUBSTATIONS PROTECTION RELAYS DRILLING DETAILS

SIZE	DRAWING No	SHEET	AMD
A2	191086	1	4

C&P - DISTRIBUTION SUBS

A

B

C

D

E

F